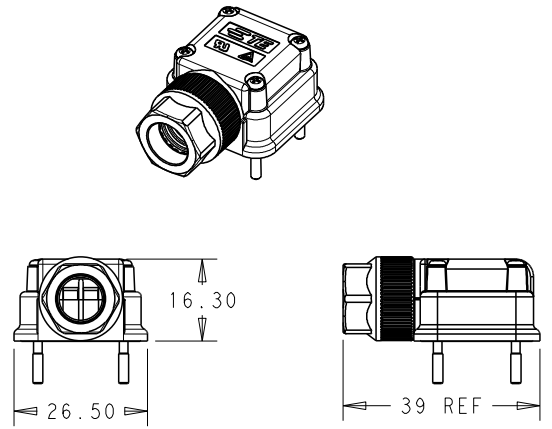
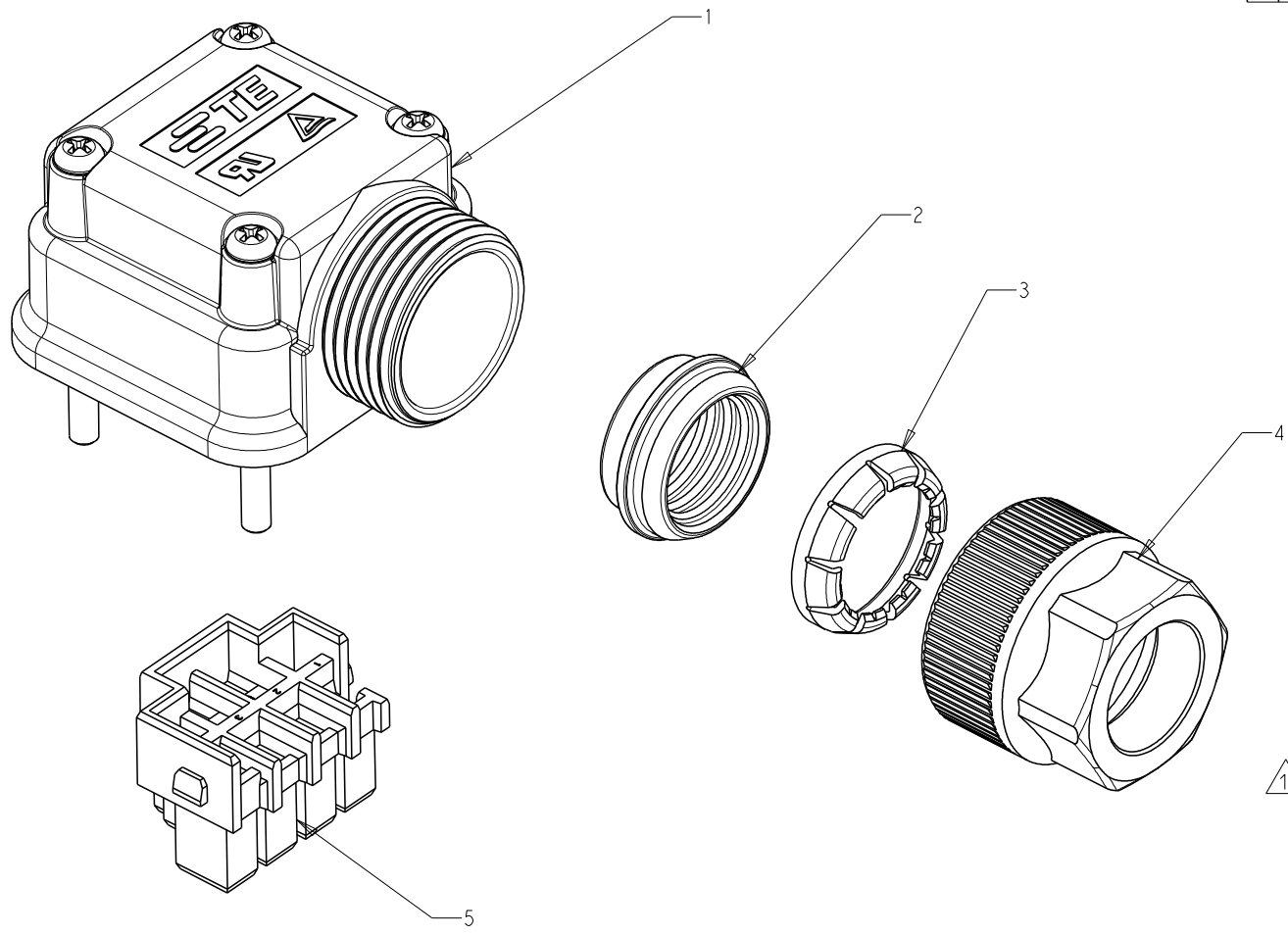


THIS DRAWING IS UNPUBLISHED. RELEASED FOR PUBLICATION 20  
 (C) COPYRIGHT 20 BY - ALL RIGHTS RESERVED.

REVISIONS				
P	LTR	DESCRIPTION	DATE	APVD
A		INITIAL RELEASED	1JUN2015	W.N.X.X



DEFAULTED TOLERANCE: ±0.20mm

AFTER CUSTOMER ASSEMBLY

NOTES  
 1 COMPLIES WITH DIRECTIVES 2002/95/EC (ROHS)

2271522-1 BOM

ITEM	QUANTITY	PART DESCRIBE
5	1	REC. HOUSING
4	1	CABLE NUT
3	1	CABLE CLAMP
2	1	CABLE SEALING
1	1	POWER SUB ASSEMBLY

THIS DRAWING IS A CONTROLLED DOCUMENT.		DWN 08MAY2015 Ning Wang														
DIMENSIONS: mm		CHK 08MAY2015 Kobby Zhao														
TOLERANCES UNLESS OTHERWISE SPECIFIED:		APVD 08MAY2015 Xiang Xu														
<table border="1"> <tr> <td>0 PLC</td> <td>±-</td> </tr> <tr> <td>1 PLC</td> <td>±-</td> </tr> <tr> <td>2 PLC</td> <td>±-</td> </tr> <tr> <td>3 PLC</td> <td>±-</td> </tr> <tr> <td>4 PLC</td> <td>±-</td> </tr> <tr> <td>ANGLES</td> <td>±-</td> </tr> <tr> <td>FINISH</td> <td>-</td> </tr> </table>		0 PLC			±-	1 PLC	±-	2 PLC	±-	3 PLC	±-	4 PLC	±-	ANGLES	±-	FINISH
0 PLC	±-															
1 PLC	±-															
2 PLC	±-															
3 PLC	±-															
4 PLC	±-															
ANGLES	±-															
FINISH	-															
MATERIAL	TBD		NAME	ASSEMBLY DRAWING FOR MMC CABLE SIDE WITHOUT TERMINALS												
			SIZE	A3												
			CAGE CODE	-												
			DRAWING NO	C=2271522												
			RESTRICTED TO	-												
			SCALE	1:1												
			SHEET	1 OF 1												
			REV	A												