

THIS DRAWING IS UNPUBLISHED. RELEASED FOR PUBLICATION
 © COPYRIGHT - by - ALL RIGHTS RESERVED.

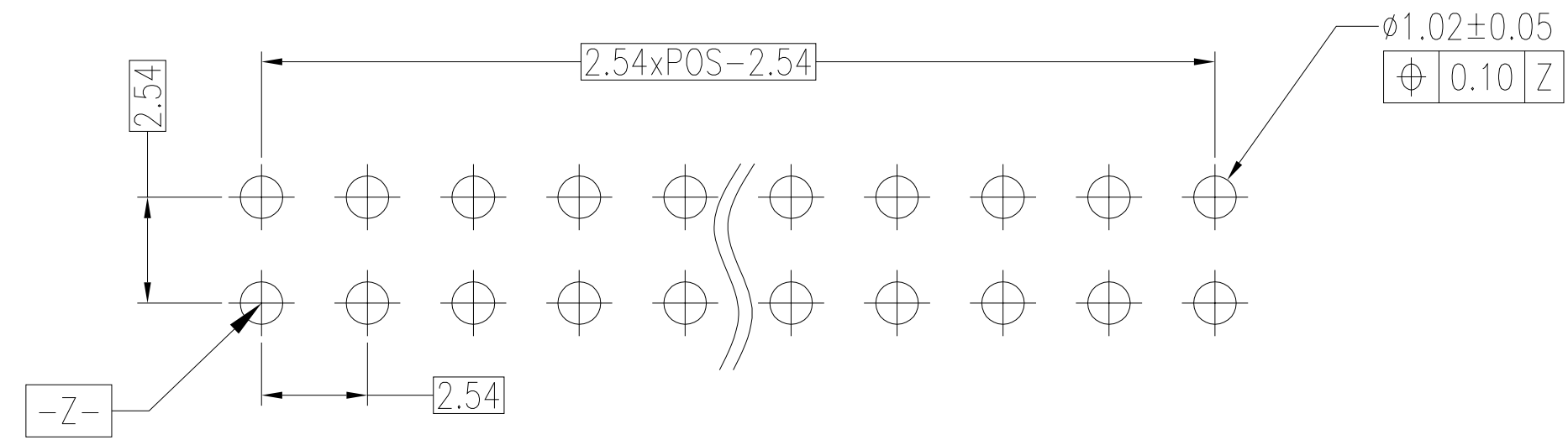
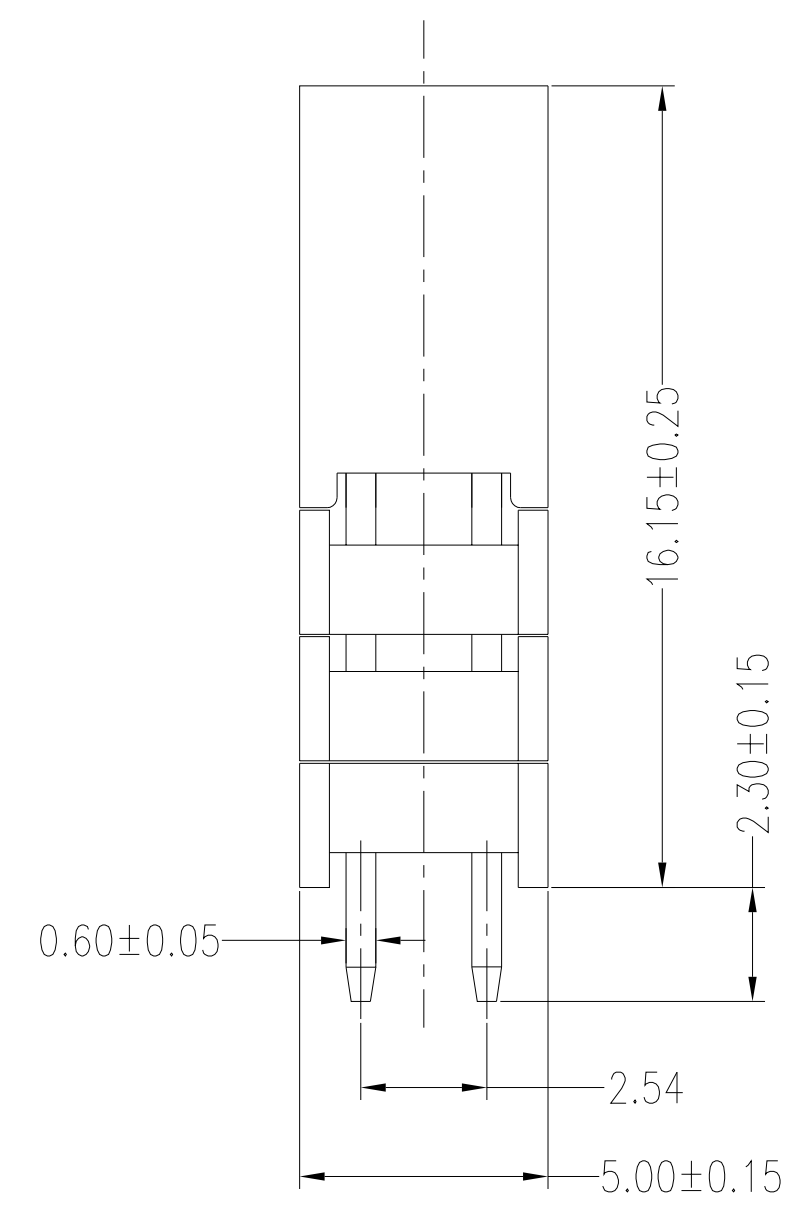
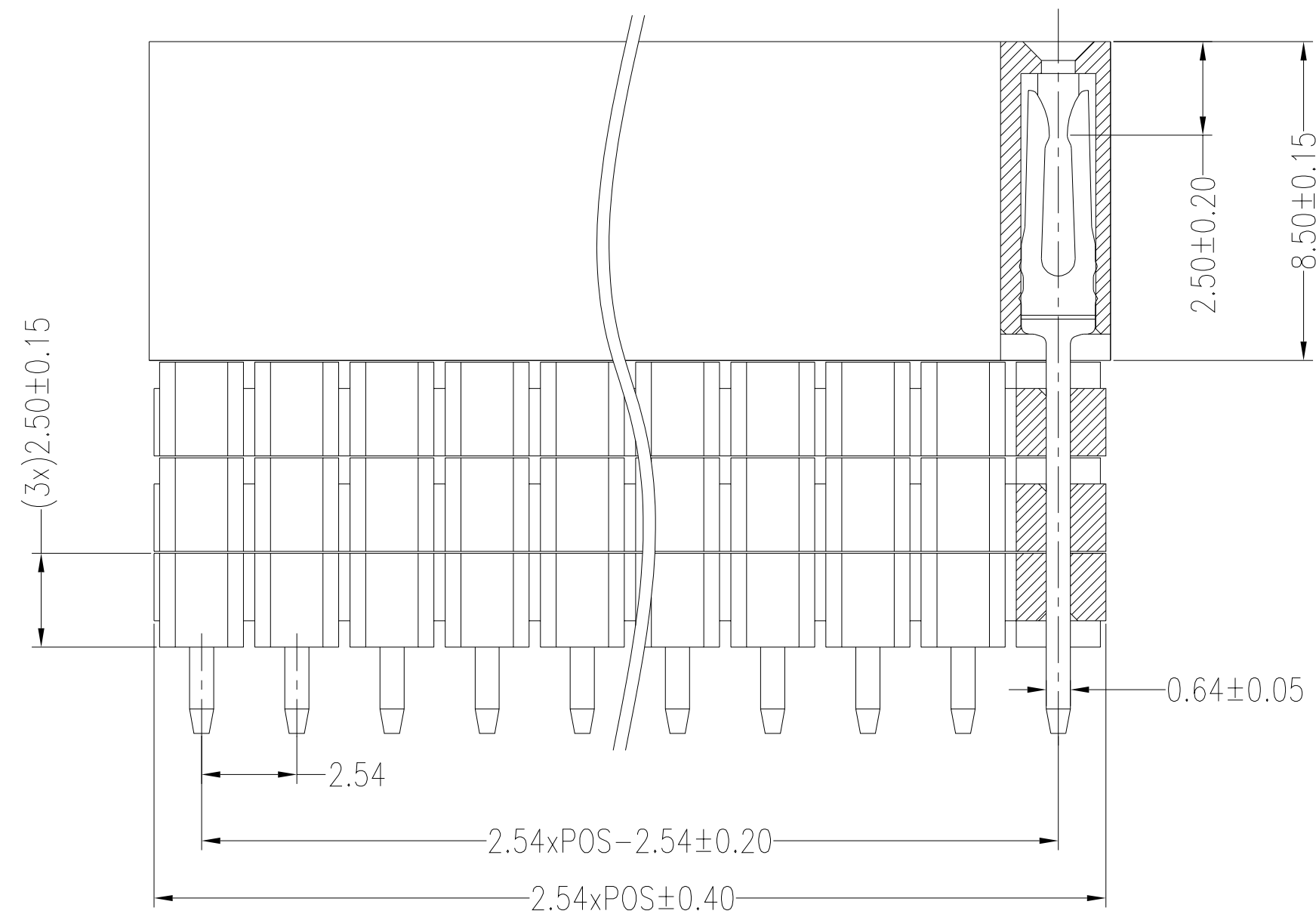
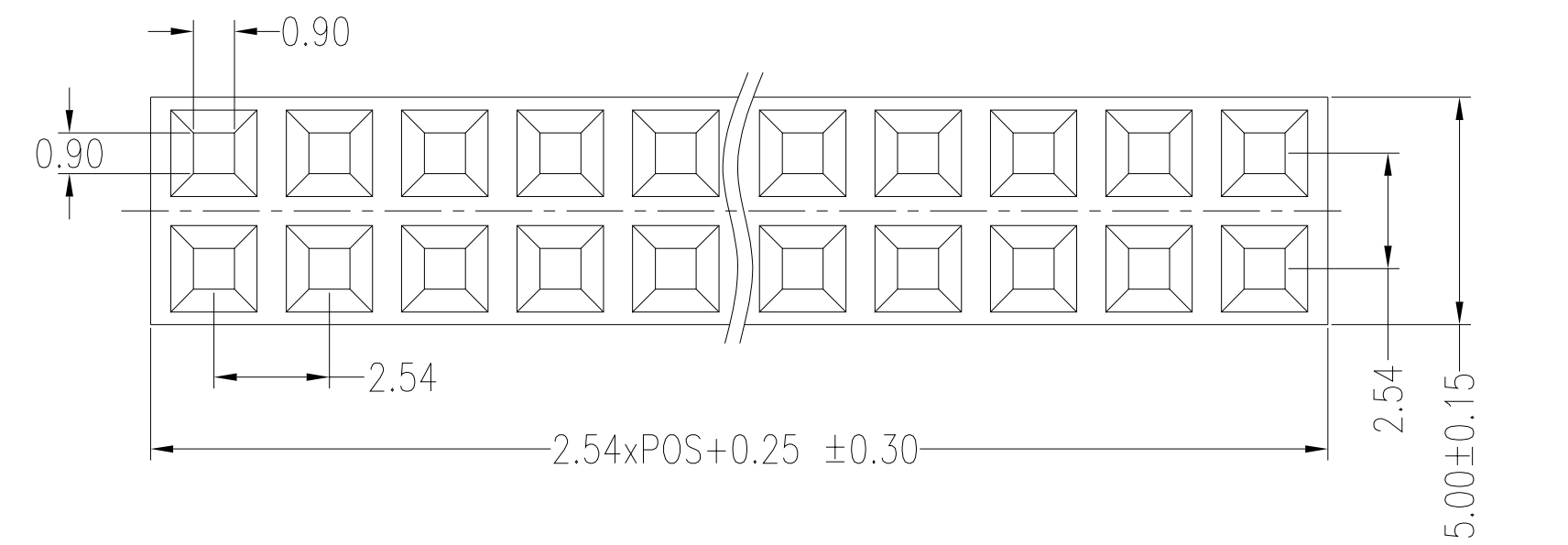
LOC		DIST		REVISIONS			
P	LTR	DESCRIPTION	DATE	DWN	APVD		
-	-	-	-	-	-		

Product Specification:
 Rated Current: 3.0AMP.
 Contact Resistance: 20mΩ Max.
 Withstand Voltage: 1000V AC/DC
 Insulation Resistance: 1000MΩ Min.
 Operation Temperature: -40°C to +105°C
 Recommended soldering process:
 Wave Soldering 245~255°C

Contact Material: Phosphor Bronze
 Contact Plating: See product family table
 Insulator Material: See product family table

Contact Plating Coding:
 G0=Gold Flash allover Nickel
 G3=10u"Gold allover Nickel
 G4=15u"Gold allover Nickel
 G5=30u"Gold allover Nickel
 G6=20u"Gold allover Nickel
 S0=Gold Flash on contact area/Tin on tail with Nickel underplating
 S3=10u"Gold on contact area/Tin on tail with Nickel underplating
 S4=15u"Gold on contact area/Tin on tail with Nickel underplating
 S5=30u"Gold on contact area/Tin on tail with Nickel underplating
 S6=20u"Gold on contact area/Tin on tail with Nickel underplating
 SN=Tin allover Nickel
 SM=Matte Tin allover Nickel

No. of pins available:
 4~80



Recommended P.C.B Layout

TUBE	S5	PA9T+30%GF UL94V-0 BK	10	5	2271000-1
PACKAGING	FINISH	INSULATING MATERIAL	No. of Pins	POS	PN

PRODUCT FAMILY TABLE

THIS DRAWING IS A CONTROLLED DOCUMENT.		DWN ETHAN CHENG 15-NOV-13			
		CHK KOBBOY ZHAO 16-NOV-13			
DIMENSIONS: mm		APVD XU XIANG 17-NOV-13	NAME		
TOLERANCES UNLESS OTHERWISE SPECIFIED:		PRODUCT SPEC	AMPMODU, REC HDR, 2.54 PITCH, 2ROW, 3STACKING, THROUGH HOLE, VERTICAL, H=8.5		
0 PLC ± -		APPLICATION SPEC	SIZE		
1 PLC ± -			CAGE CODE		
2 PLC ± 0.25			DRAWING NO		
3 PLC ± -			RESTRICTED TO		
4 PLC ± -			A2 00779		
ANGLES ± -			C= 2271000		
FINISH		WEIGHT	SCALE		
SEE NOTES			SHEET 1 of 1		
		CUSTOMER DRAWING	REV B2		