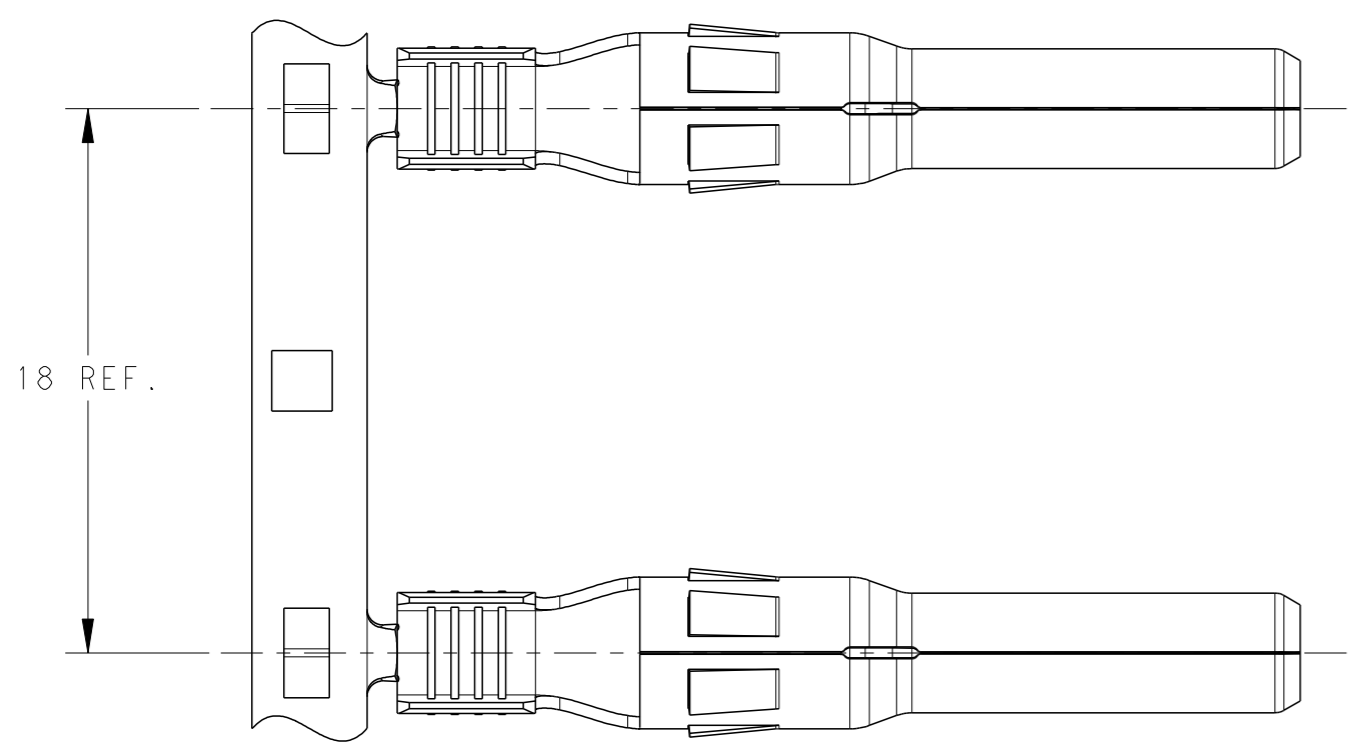
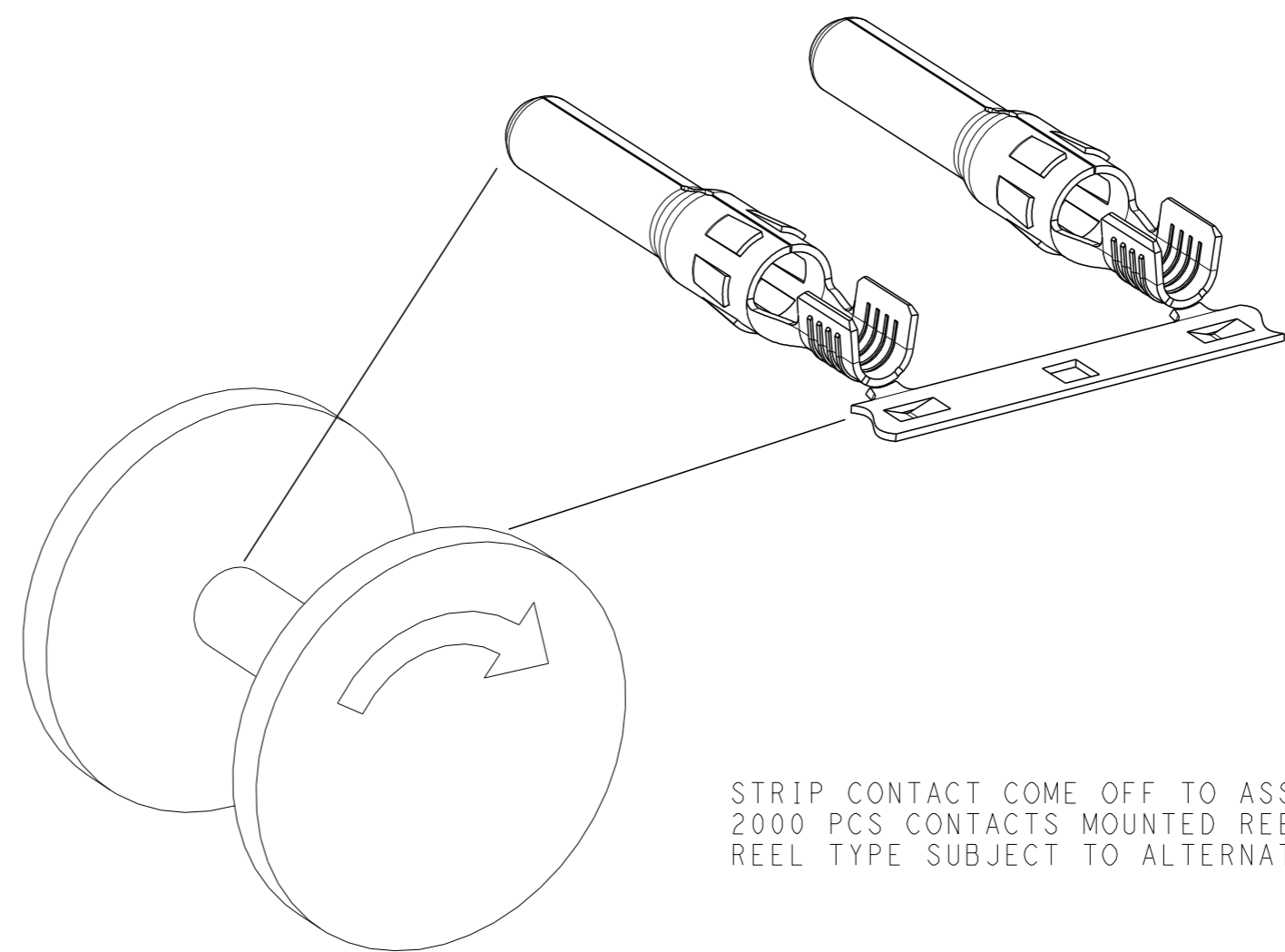


THIS DRAWING IS UNPUBLISHED. RELEASED FOR PUBLICATION 20
 © COPYRIGHT 20 BY - ALL RIGHTS RESERVED.

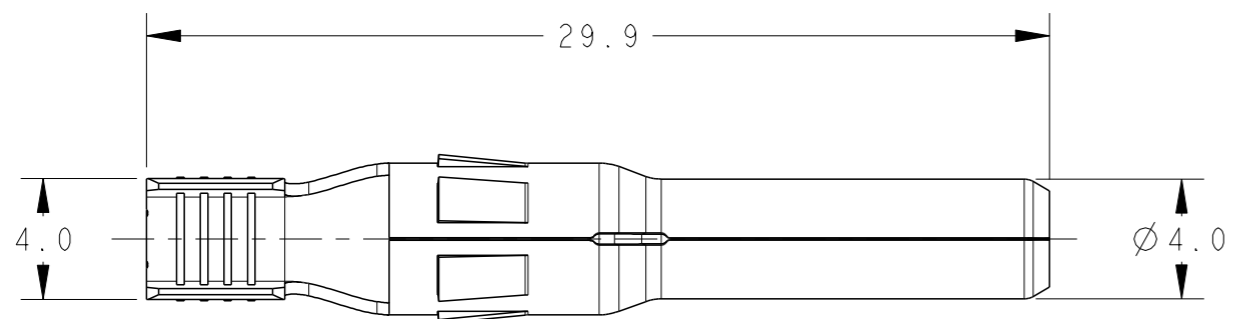
REVISIONS				
P	LTR	DESCRIPTION	DATE	APVD
A		INITIAL RELEASE	16AUG2017	SG MS



STRIP
-2 AS SHOWN

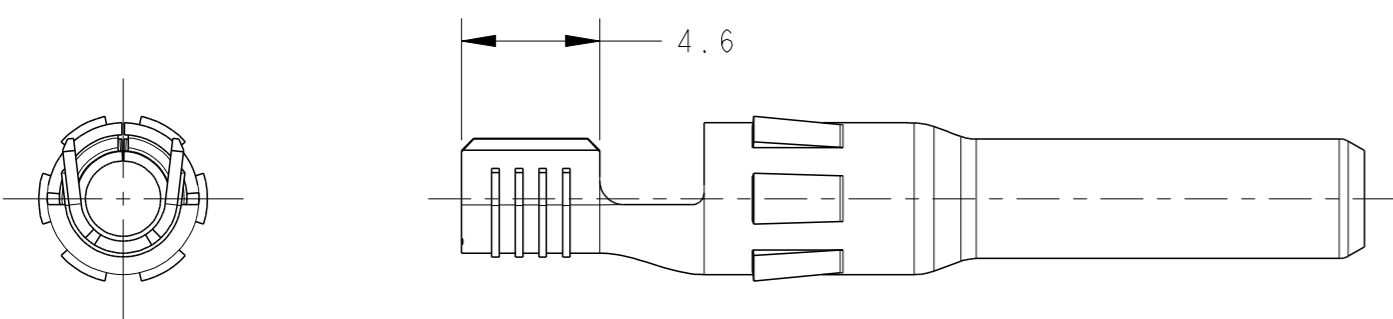


STRIP CONTACT COME OFF TO ASSEMBLY
 2000 PCS CONTACTS MOUNTED REEL
 REEL TYPE SUBJECT TO ALTERNATION




1. MATERIAL: COPPER ALLOY, TIN PLATED
2. USED FOR SOLAR CABLE: 2.5mm²/14AWG.
3. PLS DON'T TOUCH THE CONTACT DIRECTLY BY HAND WITHOUT ANY PROTECTION.

⚠ USE ONLY CRIMPING TOOL OF TE CONNECTIVITY TO CRIMP CONTACT.
 CRIMPING TOOL PN 6-1579014-9 WILL BE USED FOR CRIMPING THE CONTACTS HAVING WIRE SIZE 2.5mm².



LOOSE PIECE
-3 AS SHOWN

LOOSE PIECE	2270253-4	100
STRIP	2270253-3	1000
	2270253-2	2000
CONTACT TYPE	PART NUMBER	PACKING UNIT
	FOR ORDER	

THIS DRAWING IS A CONTROLLED DOCUMENT.		DWN 16AUG2017 SHIRLEY GAO	 TE Connectivity	
DIMENSIONS: mm		CHK 16AUG2017 ALEX ZHANG		
TOLERANCES UNLESS OTHERWISE SPECIFIED:		APVD 16AUG2017 MING SHI	NAME PIN CONTACT SOLARLOK PV4-S CONNECTOR	
0 PLC ±0.5		PRODUCT SPEC 108-137077	APPLICATION SPEC	
1 PLC ±0.3		114-137077	RESTRICTED TO	
2 PLC ±		WEIGHT -	SIZE A2	CAGE CODE 00779
3 PLC ±		CUSTOMER DRAWING	DRAWING NO C-2270253	SCALE 4:1
4 PLC ±			SHEET 1 OF 1	REV A
ANGLES ±				
FINISH				
MATERIAL COPPER ALLOY		FINISH TIN		