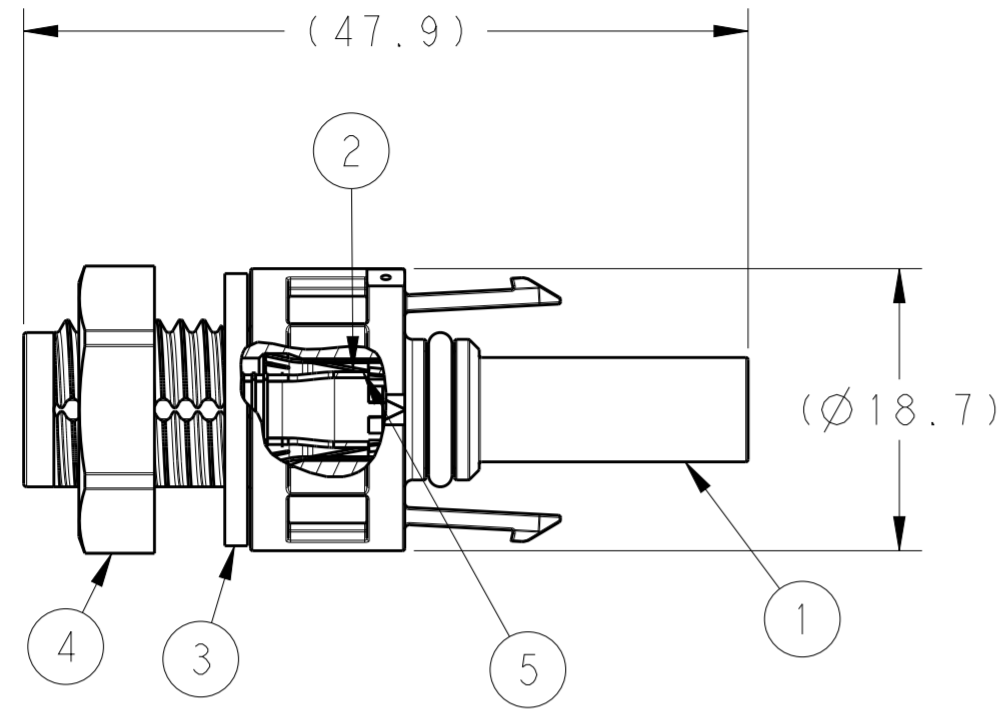
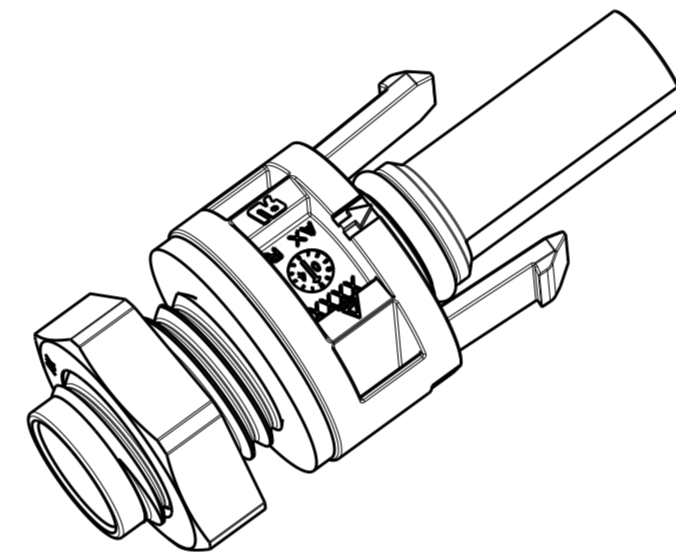
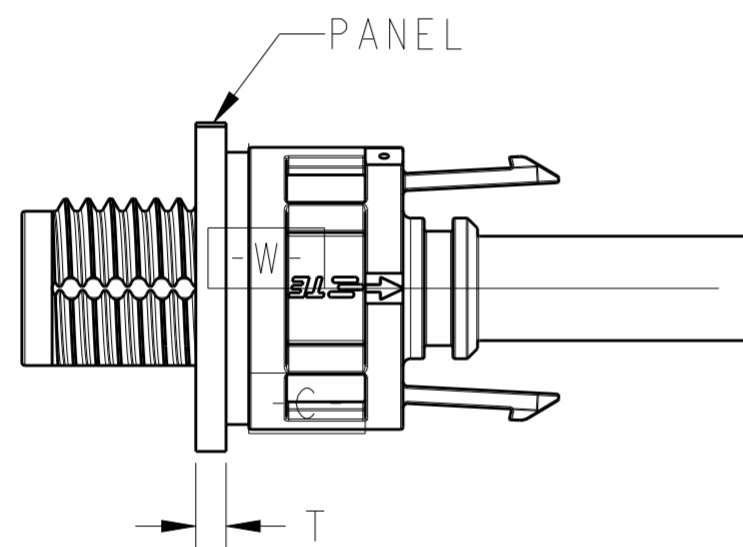


THIS DRAWING IS UNPUBLISHED. RELEASED FOR PUBLICATION 20
 © COPYRIGHT 20 TE CONNECTIVITY ALL RIGHTS RESERVED.

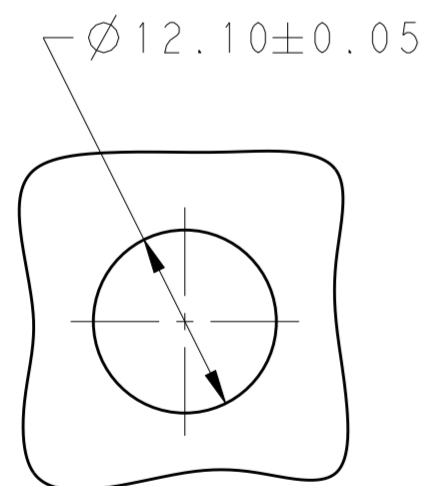
LOC		DIST		REVISIONS			
P	LTR	DESCRIPTION	DATE	DWN	APVD		
	A	NEW RELEASE	09OCT2014	LW	PY		
	B	ECR-18-001422	26MAR2018	SG	SM		



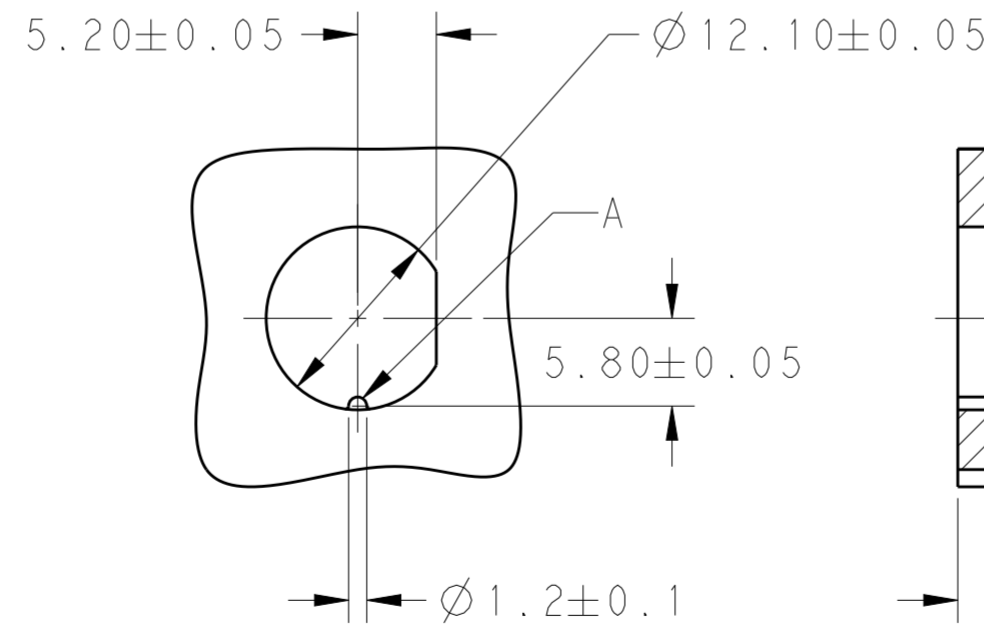
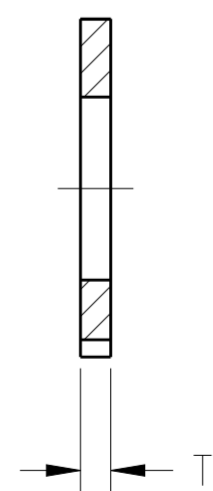
- ① FLAT SEAL AND O-RING ASSEMBLED ON PIN HOUSING
- ② NUT ENCLOSE LOOSELY
- ③ RECOMMENDED TIGHTENING TORQUE FOR NUT (ITEM NO.4) 1.0-1.2Nm WHEN ASSEMBLING AT PANEL WALL
- 4. USE ONLY CRIMPING TOOL OF TE CONNECTIVITY TO CRIMP CONTACT.



SCALE 2:1



ROUND HOLE



D HOLE

RECOMMENDED MOUNTING HOLE
 T(PANEL THICKNESS): 2-6mm
 FEATURE A DETERMINED BY CUSTOMER

QUANTITY	DESCRIPTION	ITEM
100	PACKAGING	
2270040-2	ORDER-NO.	
1	O-RING, RUBBER, BLUE	5
1	NUT M12x1.5, PC, BLACK	4
1	FLAT SEAL, RUBBER, BLACK	3
1	METAL CLIP RING, STAINLESS STEEL	2
1	SOCKET HOUSING, PC, BLACK	1

THIS DRAWING IS A CONTROLLED DOCUMENT.

DIMENSIONS:	TOLERANCES UNLESS OTHERWISE SPECIFIED:	DWN: LORRY WANG 09OCT2014	TE Connectivity
mm	0 PLC ±	CHK: DANIEL TAO 09OCT2014	
	1 PLC ±0.3	APVD: PETER YIN 09OCT2014	
	2 PLC ±	NAME: SOCKET CONNECTOR KITS	
	3 PLC ±	PRODUCT SPEC: 108-106122	PV4 PANEL MOUNTED CONNECTOR
	4 PLC ±	APPLICATION SPEC: 114-106122	SIZE: A2
MATERIAL:	ANGLES ±	WEIGHT: -	CAGE CODE: 00779
	FINISH	CUSTOMER DRAWING	DRAWING NO: C-2270040

SCALE 2:1 SHEET 1 OF 1 REV B