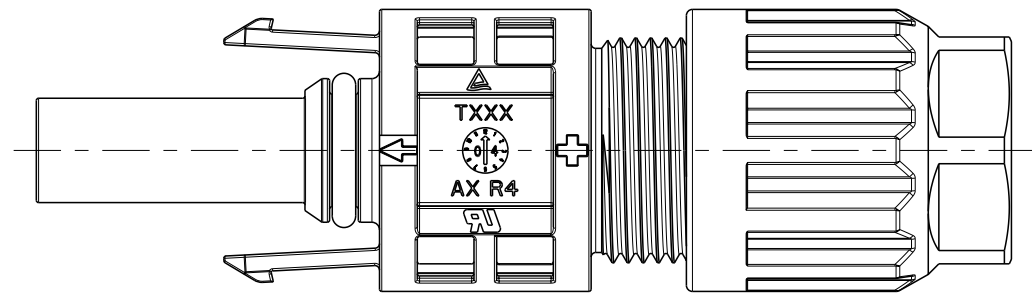


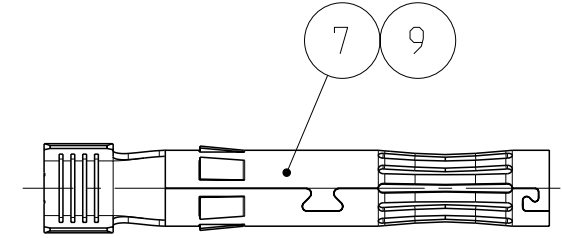
LOC	DIST	REVISIONS			
P	LTR	DESCRIPTION	DATE	DWN	APVD
B2		REVISED DRAWING	28SEP2018	MZ	MZ
B3		ADDED NEW P/Ns	25NOV2019	MZ	PO
B4		ADDED NEW P/N -5	18JAN2021	MZ	MZ
C		ECR-24-205347	16APR2024	HM	AG

1. SPECIFICATION;

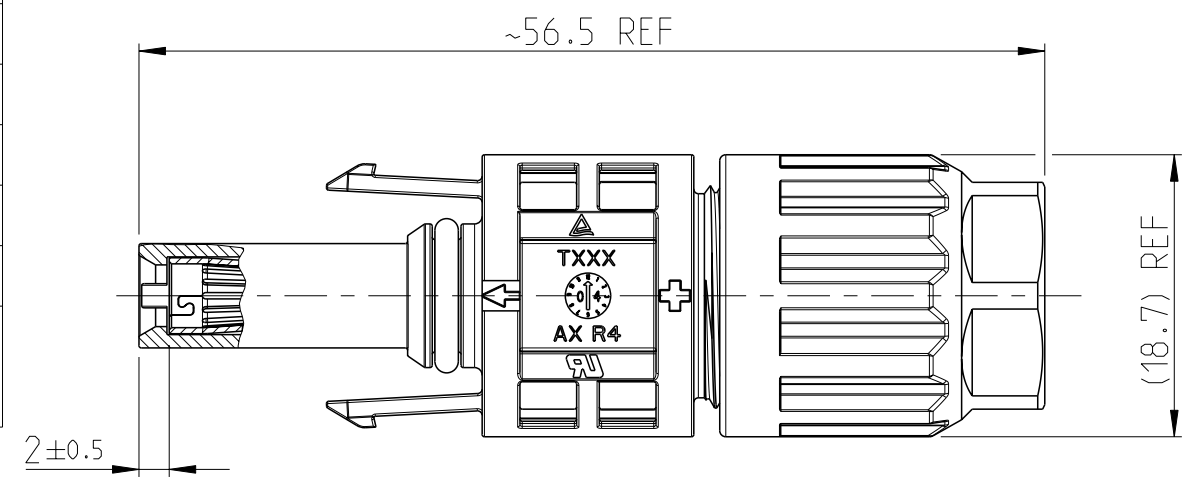
CABLE CONDUCTOR SIZE	2.5 MM ² / 14AWG	4.0 MM ² / 12AWG	6.0 MM ² /10 AWG
RATED CURRENT (AT 85°C AMBIENT FOR TUV AND 55°C AMBIENT FOR UL)	UL: 35A TUV: 29A	UL: 40A TUV: 35A	UL: 50A TUV: 40A
RATED VOLTAGE	UL: 1500V DC TUV: 1500V DC		
DEGREE OF PROTECTION,MATED	IP 68 (1m, 24h)		
AMBIENT TEMPERATURE RANGE	-40 °C ~ +85 °C		
OVERVOLTAGE CATEGORY	III		
POLLUTION DEGREE	2		
CONTACT RESISTANCE	0.5 mΩ		
CONTACT MATERIAL	COPPER,TIN PLATED		
INSULATION MATERIAL	THERMOPLASTIC, UL94-V0		
SAFETY CLASS	II		
STRIP LENGTH	6.5 mm		
CABLE JACKET DIAMETER	UL: 6.18±0.1 - 6.97±0.2 mm TUV: 5.8 - 7.5 mm		



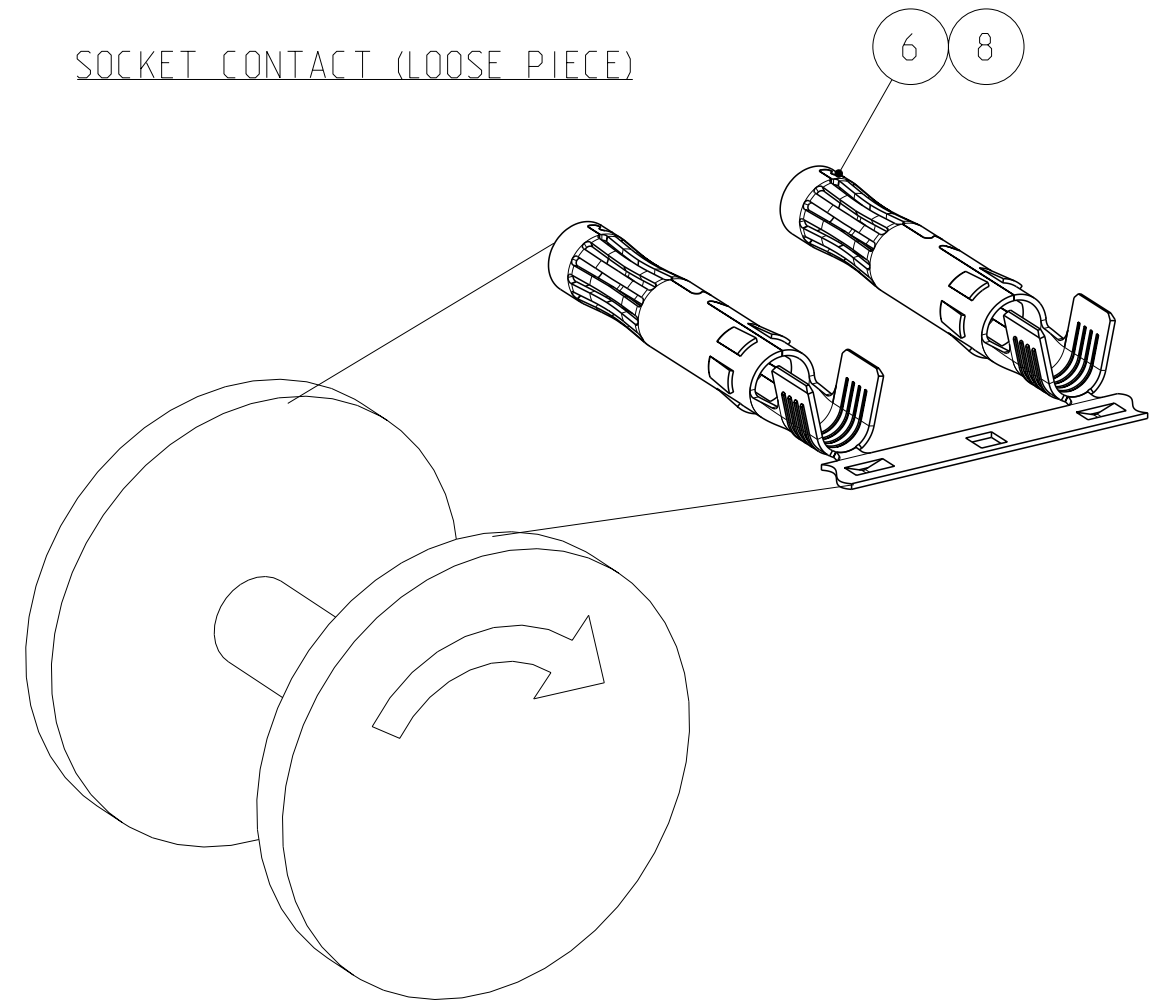
PREASSEMBLED VIEW AS SHOWN



SOCKET CONTACT (LOOSE PIECE)



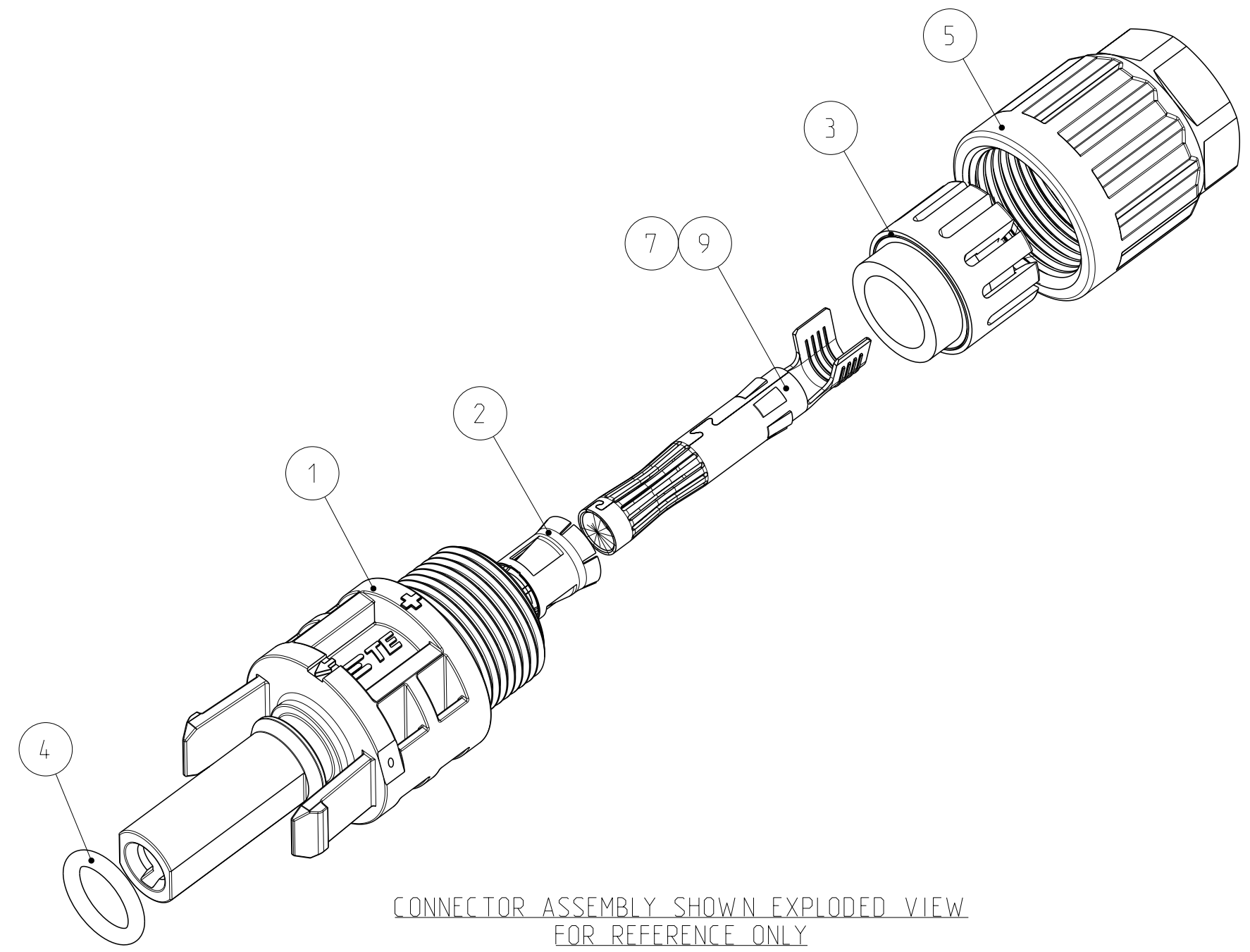
ASSEMBLED VIEW AS SHOWN



STRIP CONTACT COME OFF TO ASSEMBLY
 2000 PCS CONTACTS MOUNTED REEL
 REEL TYPE SUBJECT TO ALTERNATION -1 AS SHOWN

2. CONTACT SHOWN UNINSTALLED, FOR REFERENCE ONLY.

3. PLEASE SEE 114-137077 FOR ASSEMBLY PROCESS.



CONNECTOR ASSEMBLY SHOWN EXPLODED VIEW FOR REFERENCE ONLY

4- -3	4- -1	3- -3	3- -1	1- -3	1- -1	-3	-1	PART NUMBER	ITEM No
1000	2000	1000	2000	2000	1000			PACKAGING QTY.	
TUV: 5.8-7.5 mm / UL: 6.18±0.1 - 6.97±0.2 mm								CABLE JACKET DIAMETER in mm	
1	-	-	-	-	-	1	-	SOCKET CONTACT, 2.5mm ² /14AWG, LOOSE PIECE	9
-	1	-	-	1	-	-	-	SOCKET CONTACT, 2.5mm ² /14AWG, STRIP	8
-	-	1	-	-	-	-	1	SOCKET CONTACT, 4~6mm ² /10~12AWG, LOOSE PIECE	7
-	-	-	1	-	1	-	-	SOCKET CONTACT, 4~6mm ² /10~12AWG, STRIP	6
1	1	1	1	-	-	-	-	CABLE SCREW JOINT, PA	5
-	-	-	-	1	1	1	1	CABLE SCREW JOINT, PPE	
1	1	1	1	1	1	1	1	O-RING, 7.1X1.55 (RED)	4
1	1	1	1	1	1	1	1	PINCH RING SEAL INMOLDED, ASSY	3
1	1	1	1	1	1	1	1	METAL CLIP	2
1	1	1	1	1	1	1	1	PV4-S1 SOCKET CONNECTOR, PLUS CODED	1
QUANTITY PER ASSEMBLY								DESCRIPTION	ITEM No

THIS DRAWING IS A CONTROLLED DOCUMENT.

DIMENSIONS: mm	TOLERANCES UNLESS OTHERWISE SPECIFIED:	DWN: WANG LORRY 13JUN2014	TE Connectivity
	0 PLC ± 1 PLC ± 2 PLC ± 3 PLC ± 4 PLC ± ANGLES ± FINISH	CHK: TAO DANIEL 13JUN2014	
		APVD: PETER YIN 13JUN2014	
		PRODUCT SPEC: 108-137077	
MATERIAL: -	FINISH: -	APPLICATION SPEC: 114-137077	NAME: SOCKET CONNECTOR KITS PV4-S1 CONNECTOR, PV4-S1F*
		WEIGHT: -	SIZE: A2
		CUSTOMER DRAWING	CAGE CODE: 00779
			DRAWING NO: C-2270025
			RESTRICTED TO: -
			SCALE: 2:1
			SHEET 1 OF 1
			REV C

Printed on 3 May 2024 10:16 (India Standard Time) from TE397707