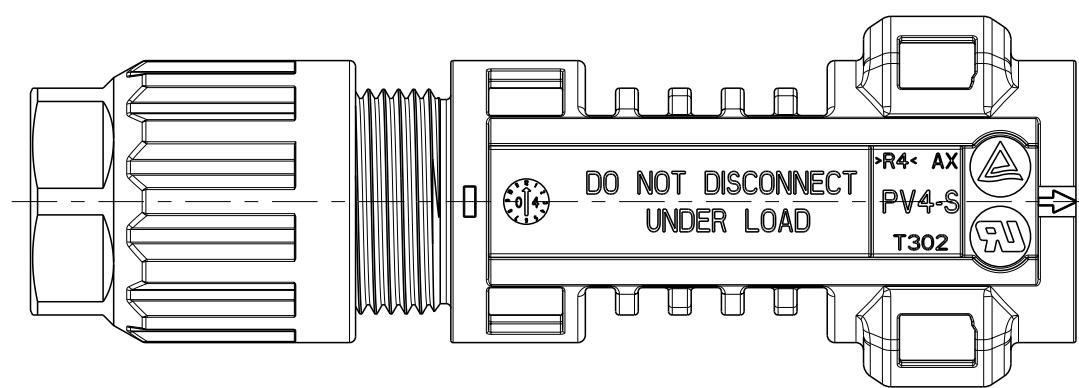


REVISONS		DATE	DWN	APVD
P	LTR	DESCRIPTION		
B2		REVISED DRAWING	28SEP2018	MZ
B3		ADDED NEW P/Ns	25NOV2019	MZ
B4		ADDED NEW P/N -5	18JAN2021	MZ
C		ECR-24-205347	16APR2024	HM

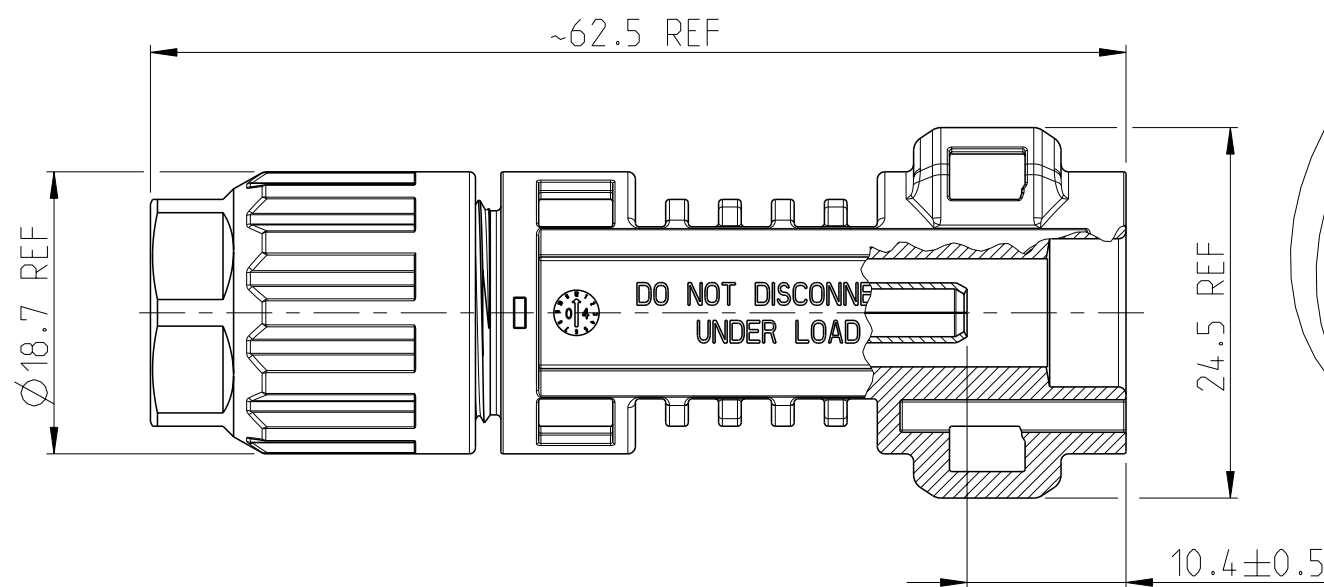
1. SPECIFICATION:

CABLE CONDUCTOR SIZE	2.5 MM <sup>2</sup> / 14AWG	4.0 MM <sup>2</sup> / 12AWG	6.0 MM <sup>2</sup> /10 AWG
RATED CURRENT (AT 85°C AMBIENT FOR TUV AND 55°C AMBIENT FOR UL)	UL: 35A TUV: 29A	UL: 40A TUV: 35A	UL: 50A TUV: 40A
RATED VOLTAGE	UL: 1500V DC TUV: 1500V DC		
DEGREE OF PROTECTION, MATED	IP 68 (1m, 24h)		
AMBIENT TEMPERATURE RANGE	-40 °C ~ +85 °C		
OVERVOLTAGE CATEGORY	III		
POLLUTION DEGREE	2		
CONTACT RESISTANCE	0.5 mΩ		
CONTACT MATERIAL	COPPER, TIN PLATED		
INSULATION MATERIAL	THERMOPLASTIC, UL94-V0		
SAFETY CLASS	II		
STRIP LENGTH	6.5 mm		
CABLE JACKET DIAMETER	UL: 6.18±0.1 - 6.97±0.2 mm TUV: 5.8 - 7.5 mm		

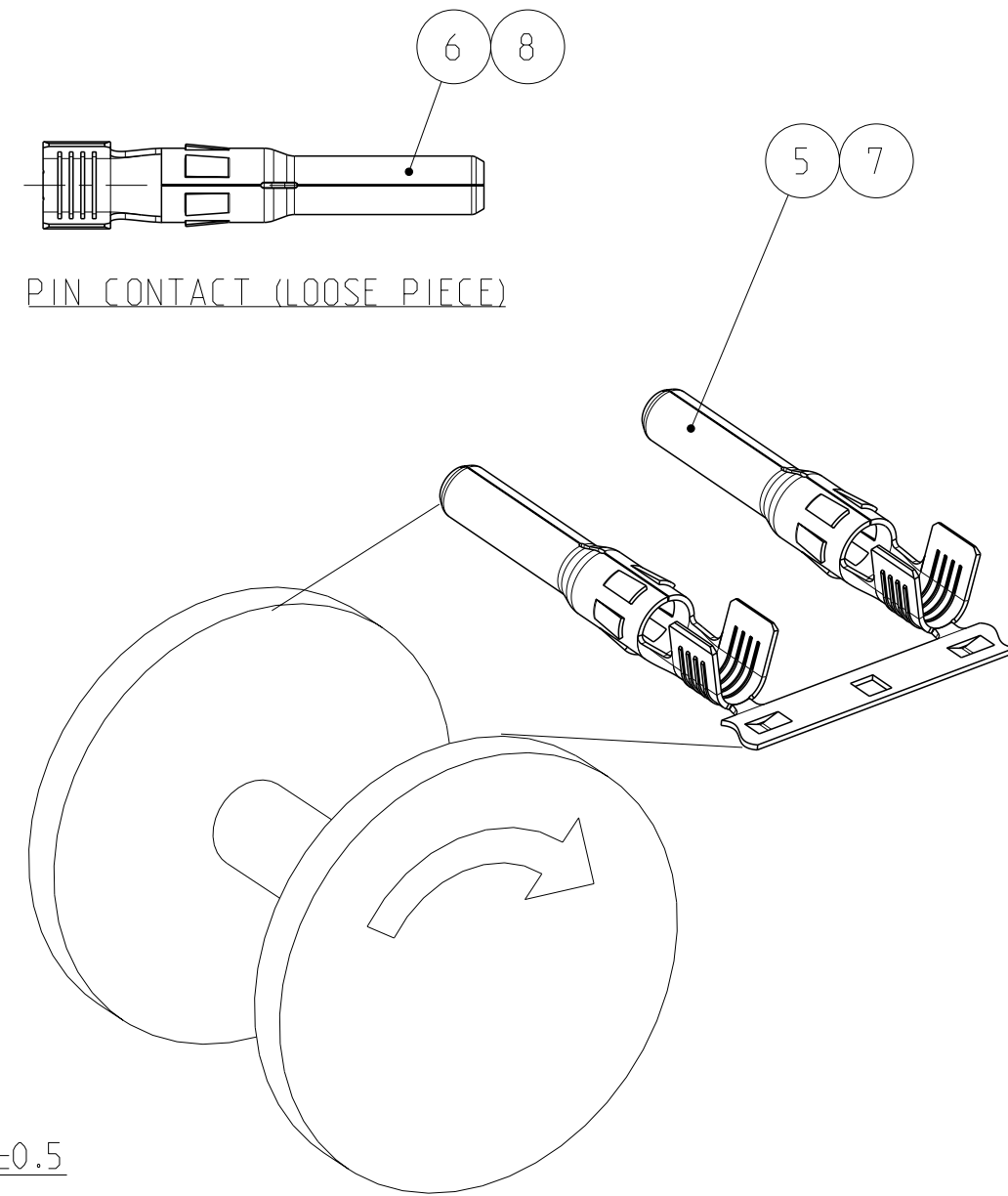
- 2. CONTACT SHOWN UNINSTALLED, FOR REFERENCE ONLY.
- 3. PLEASE SEE 114-137077 FOR ASSEMBLY PROCESS.



PREASSEMBLED VIEW AS SHOWN

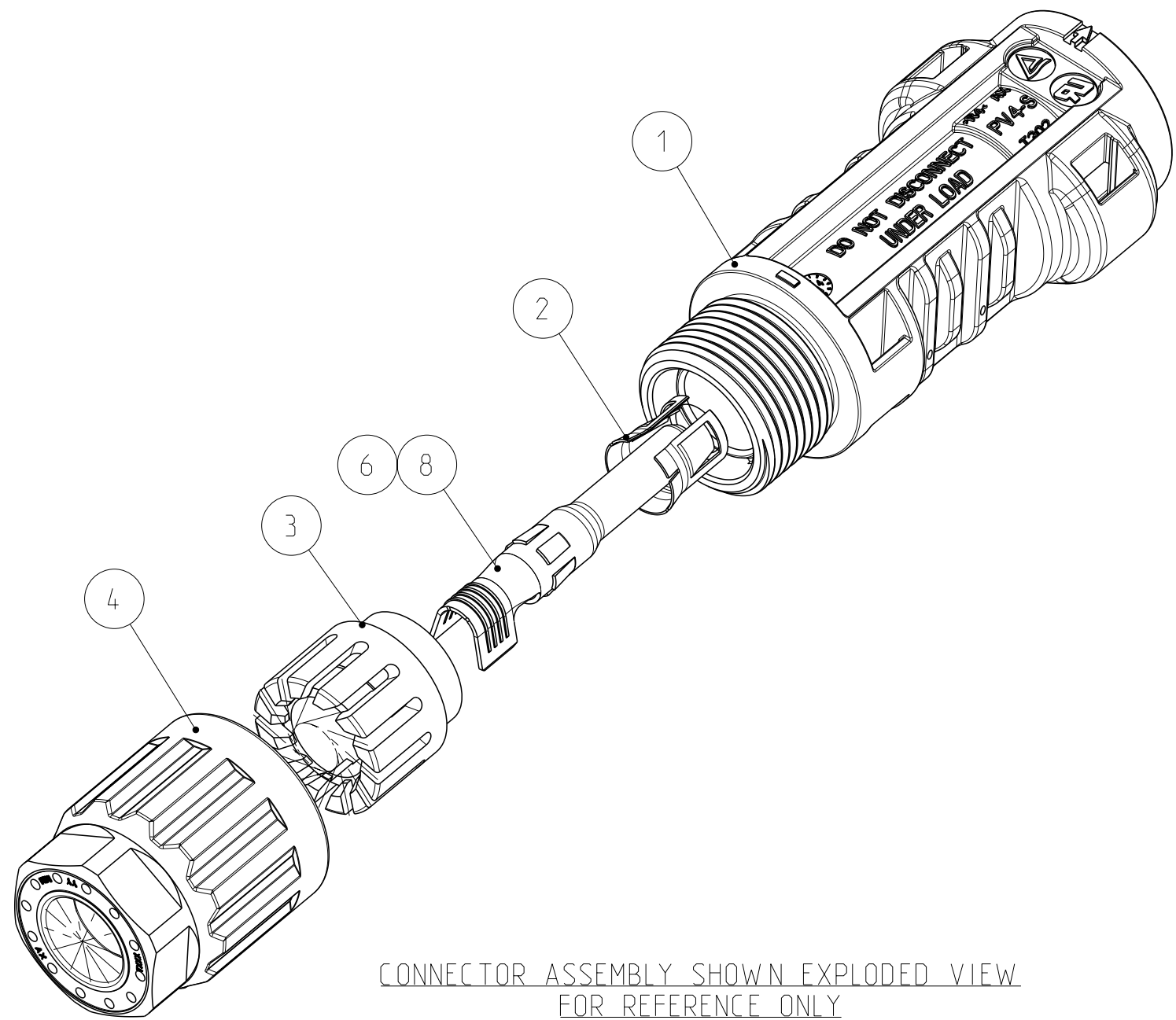


ASSEMBLED VIEW AS SHOWN



STRIP CONTACT COME OFF TO ASSEMBLY  
 2000 PCS CONTACTS MOUNTED REEL  
 REEL TYPE SUBJECT TO ALTERNATION

-1 AS SHOWN



CONNECTOR ASSEMBLY SHOWN EXPLODED VIEW  
 FOR REFERENCE ONLY

4- -3	4- -1	3- -3	3- -1	1- -3	1- -1	-3	-1	PART NUMBER	
1000	2000	1000	2000	2000	1000			PACKAGING QTY.	
TUV: 5.8-7.5 mm / UL: 6.18±0.1 - 6.97±0.2 mm								CABLE JACKET DIAMETER in mm	
1	-	-	-	-	-	1	-	PIN CONTACT, 2.5 mm <sup>2</sup> /14AWG, LOOSE PIECE	8
-	1	-	-	1	-	-	-	PIN CONTACT, 2.5 mm <sup>2</sup> /14AWG, STRIP	7
-	-	1	-	-	-	-	1	PIN CONTACT, 4~6 mm <sup>2</sup> /10~12AWG, LOOSE PIECE	6
-	-	-	1	-	1	-	-	PIN CONTACT, 4~6 mm <sup>2</sup> /10~12AWG, STRIP	5
1	1	1	1	-	-	-	-	CABLE SCREW JOINT, PA	4
-	-	-	-	1	1	1	1	CABLE SCREW JOINT, PPE	
1	1	1	1	1	1	1	1	PINCH RING SEAL INMOLDED, ASSY	3
1	1	1	1	1	1	1	1	METAL CLIP	2
1	1	1	1	1	1	1	1	PV4-S1 PIN CONNECTOR	1
QUANTITY PER ASSEMBLY								DESCRIPTION	ITEM No

THIS DRAWING IS A CONTROLLED DOCUMENT.

DWN: WANG LORRY 13JUN2014  
 CHK: TAO DANIEL 13JUN2014  
 APVD: PETER YIN 13JUN2014

**STE** TE Connectivity

NAME: PIN CONNECTOR KITS  
 PV4-S1 CONNECTOR, PV4-S1M\*

PRODUCT SPEC: 108-137077  
 APPLICATION SPEC: 114-137077

SIZE: A2 CAGE CODE: 00779 DRAWING NO: C-2270024 RESTRICTED TO: -

SCALE: 2:1 SHEET 1 OF 1 REV C

Printed on 3 May 2024 10:15 (India Standard Time) from TE397707