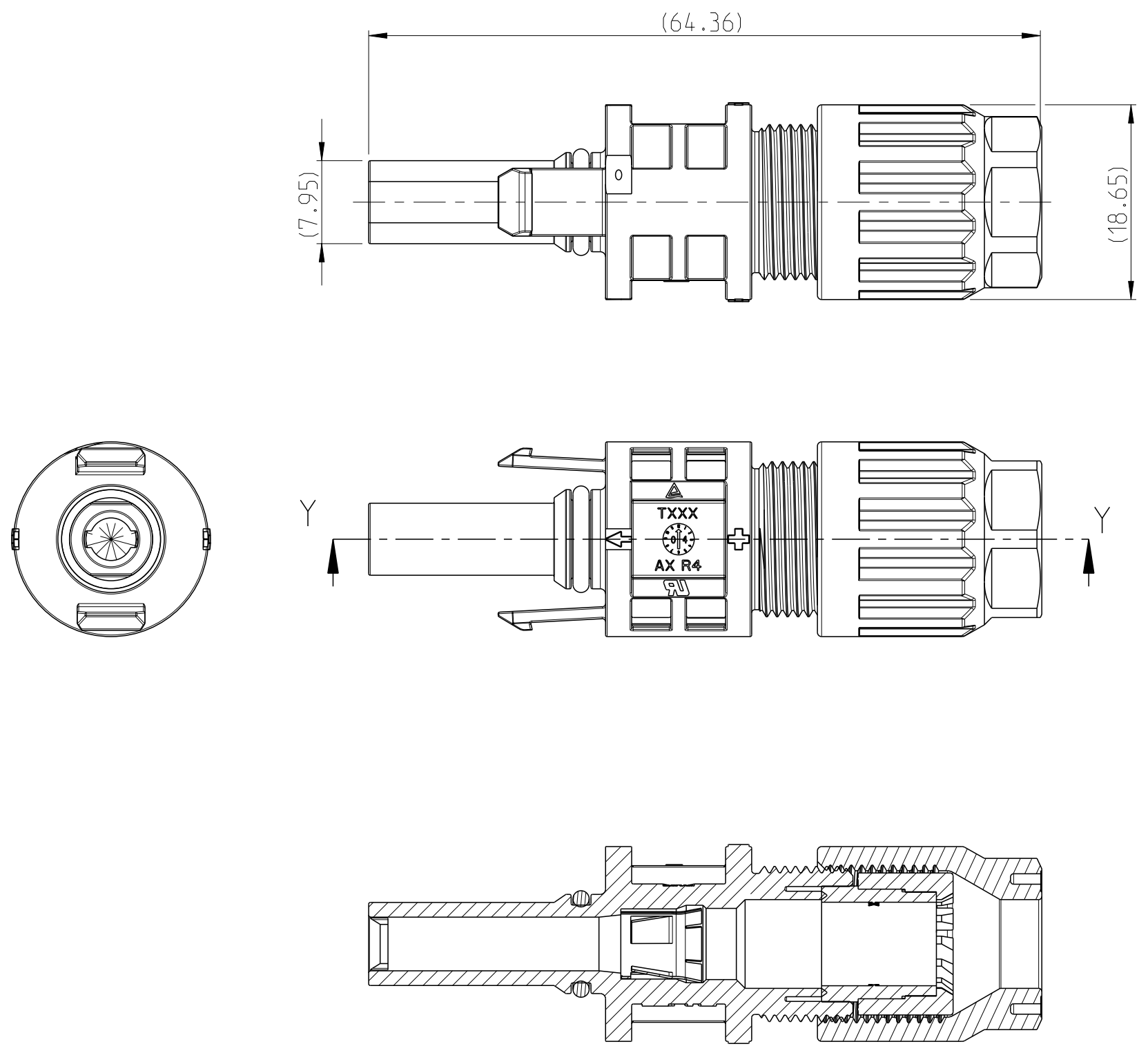
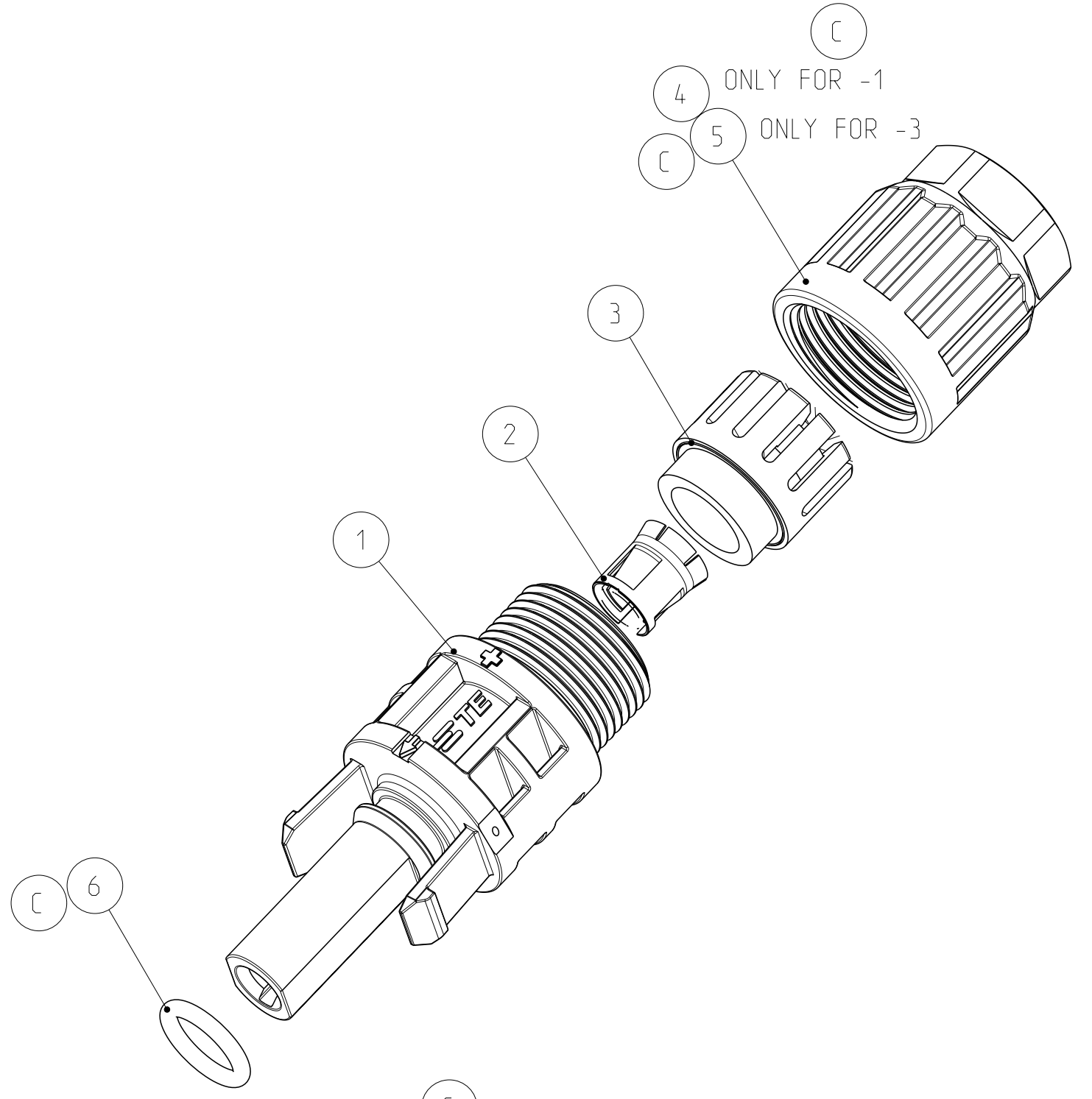


THIS DRAWING IS UNPUBLISHED. RELEASED FOR PUBLICATION 2014  
 © COPYRIGHT 2014 BY - TE CONNECTIVITY ALL RIGHTS RESERVED.

LOC	DIST	REVISIONS					
		P	LTR	DESCRIPTION	DATE	DWN	APVD
-	-	B		OBSOLETE CABLE DIAMETER 5.5mm to 6.0mm	12OCT2017	SG	MS
		B1		ECR-18-008144	01JUN2018	GCM	MZ
		C		ECR-22-138585	06MAY2022	AN	AG
		D		ECR-24-205347	16APR2024	HM	AG



SECTION Y-Y



QTY	QTY	DESCRIPTION	ITEM
1000	1000	PACKAGING QTY.	
2270023-3	2270023-1		
1	1	O-RING (RED)	2 6
1	-	CABLE SCREW JOINT, PA	1 5
-	1	CABLE SCREW JOINT, PPE	1 4
1	1	PINCH RING SEAL INMOLDED, ASSY	1 3 3
1	1	METAL CLIP	
1	1	PV4-S1 SOCKET CONNECTOR HOUSING.	1 1

- 1 PV4-S SOCKET HOUSING (ITEM NO.1), METAL CLIP (ITEM NO.2) INSERTED INTO ITEM NO.1 AND PINCH RING SEAL ASSY (ITEM NO.3) PREASSEMBLED WITH CABLE SCREW JOINT. (ITEM NO.4 OR 5 PER BOM). CABLE SCREW JOINT (ITEM NO.4 OR 5 PER BOM) SCREWED WITH 2-3 TURNS ON PV4-S SOCKET HOUSING CONNECTOR (ITEM NO.1).
- 2 O-RING (ITEM NO.6) ASSEMBLED ON PV4-S SOCKET CONNECTOR HOUSING (ITEM NO.1)
- 3 FOR CABLE DIAMETER 5.8mm to 7.5mm (NOMINAL VALUE).

THIS DRAWING IS A CONTROLLED DOCUMENT.

DIMENSIONS: mm	TOLERANCES UNLESS OTHERWISE SPECIFIED:	DWN: WANG LORRY 12 JUN 2014	TE Connectivity
		CHK: TAO DANIEL 12 JUN 2014	
		APVD: PETER YIN 12 JUN 2014	NAME: PV4-S1 SOCKET CONNECTOR PREASSEMBLED
		PRODUCT SPEC: 108-137077	SIZE: A2
		APPLICATION SPEC: 114-137077	CAGE CODE: 00779
MATERIAL: -	FINISH: -	WEIGHT: -	DRAWING NO: C-2270023
		Customer Drawing	RESTRICTED TO: -
		SCALE: 2:1	SHEET 1 OF 1
			REV D

Printed on 3 May 2024 10:14 (India Standard Time) from TE397707