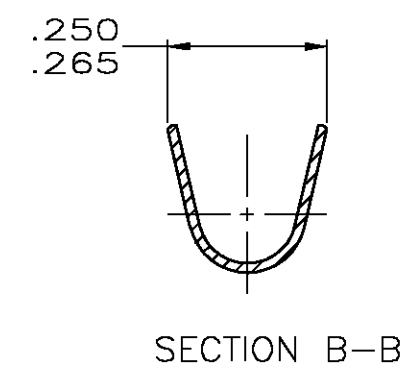
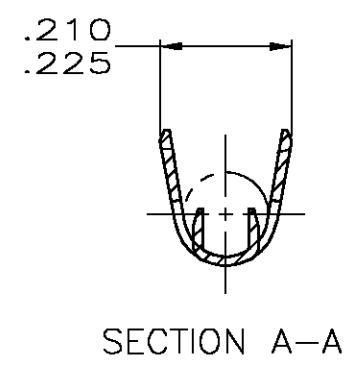
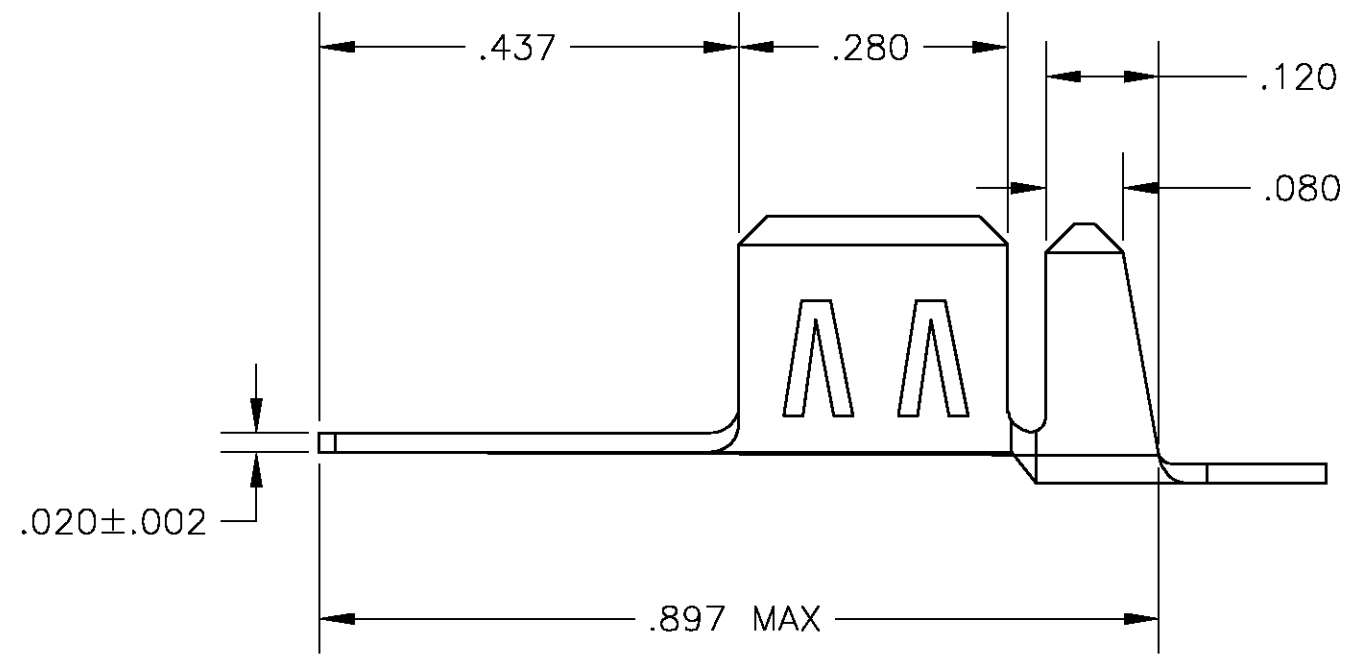
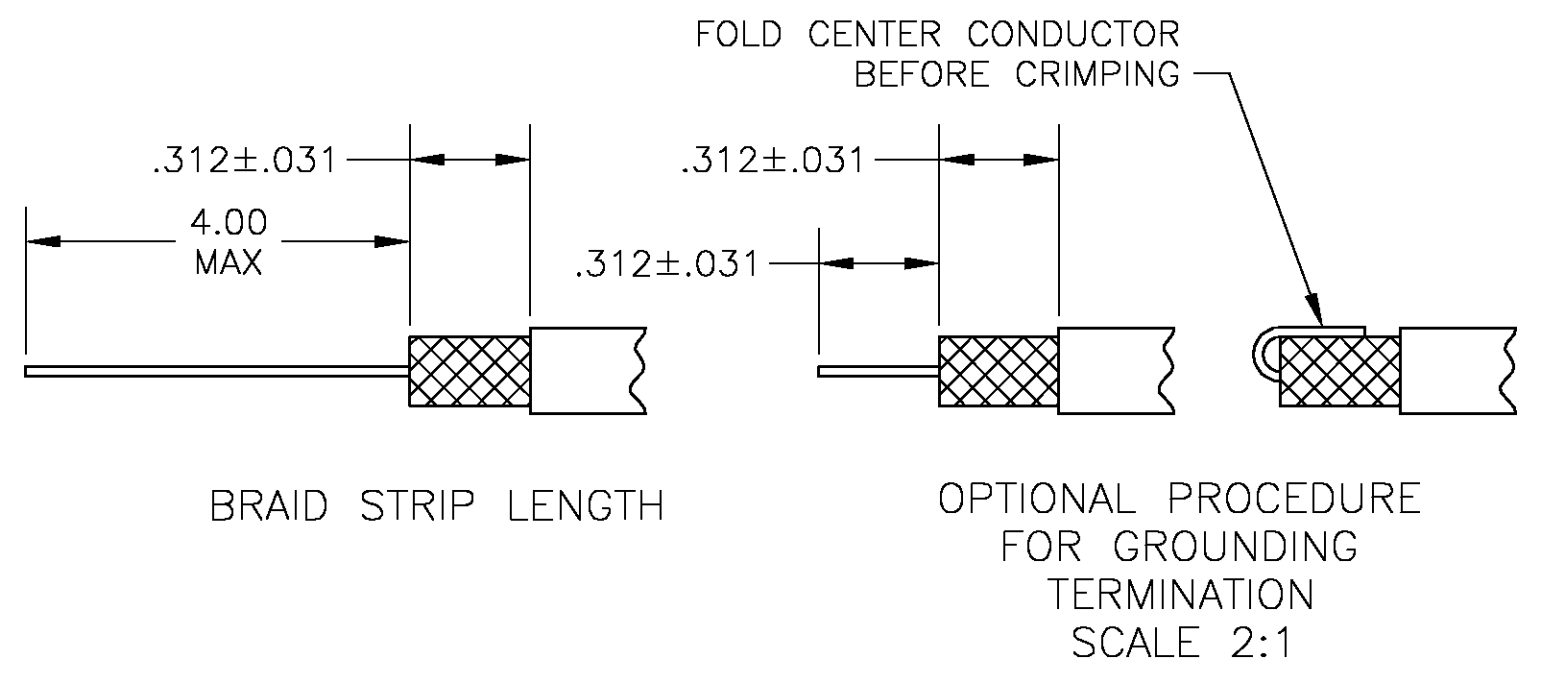
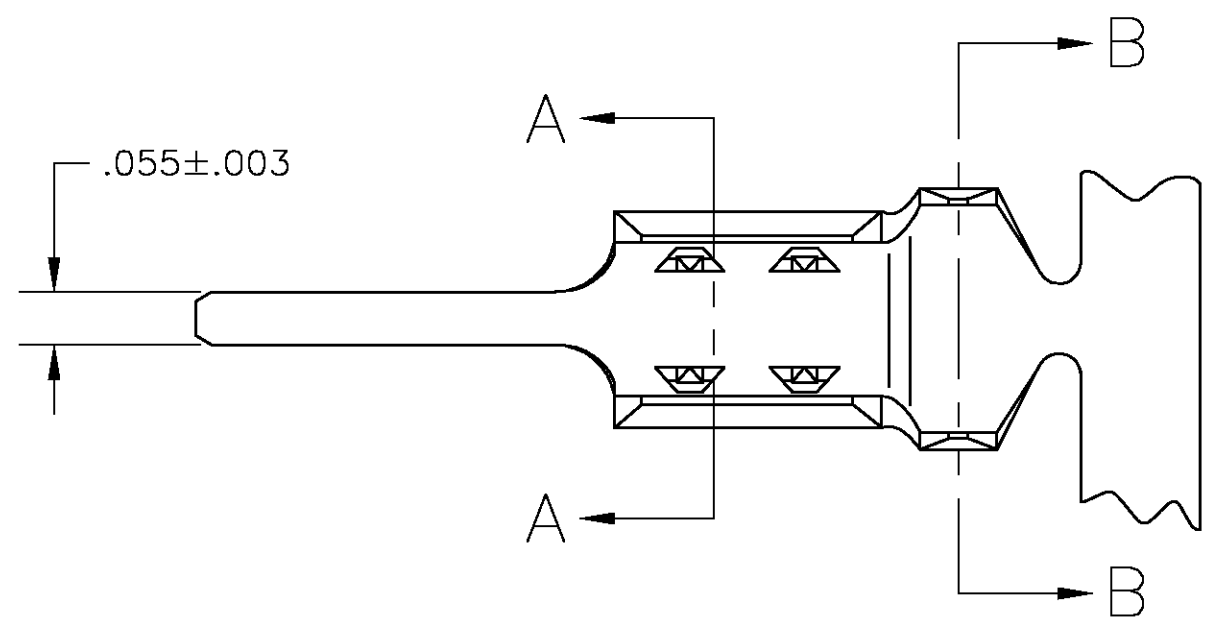




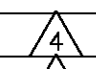
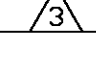
THIS DRAWING IS UNPUBLISHED. RELEASED FOR PUBLICATION  
 © COPYRIGHT BY TYCO ELECTRONICS CORPORATION. ALL RIGHTS RESERVED.


LOC	DIST	REVISIONS					
AJ	16	P	LTR	DESCRIPTION	DATE	DWN	APVD
		A		REV PER OS14-0114-04	04-26-04	JDP	DPG



- FOR USE WITH RG 58/U L CABLE.
- FOR USE WITH .062 DIA. BOARD HOLE.

-  TIN-LEAD PLATE PER ASTM B-545
-  TIN PLATE PER ASTM B-545

	9-226854-0
	226854-1
FINISH	PART NUMBER

THIS DRAWING IS A CONTROLLED DOCUMENT.		DWN T SMITH 10-04-83	 Tyco Electronics Corporation Harrisburg, PA 17105-3608													
DIMENSIONS: INCHES		CHK C.F. 10-04-85														
TOLERANCES UNLESS OTHERWISE SPECIFIED:		APVD R.K. 10-04-85	NAME COAXIAL PCB TERMINAL, PICK CRIMP TYPE BRAID-PIC													
<table border="1"> <tr> <td>0 PLC</td> <td>± -</td> </tr> <tr> <td>1 PLC</td> <td>± -</td> </tr> <tr> <td>2 PLC</td> <td>± -</td> </tr> <tr> <td>3 PLC</td> <td>± .008</td> </tr> <tr> <td>4 PLC</td> <td>± -</td> </tr> <tr> <td>ANGLES</td> <td>± -</td> </tr> </table>		0 PLC	± -	1 PLC	± -	2 PLC	± -	3 PLC	± .008	4 PLC	± -	ANGLES	± -	PRODUCT SPEC -	SIZE A3	
0 PLC	± -															
1 PLC	± -															
2 PLC	± -															
3 PLC	± .008															
4 PLC	± -															
ANGLES	± -															
MATERIAL BRASS, ASTM B 36		APPLICATION SPEC -	CAGE CODE 00779	DRAWING NO C-226854												
FINISH		WEIGHT -	RESTRICTED TO -													
CUSTOMER DRAWING			SCALE 5:1	SHEET 1 OF 1												
			REV A													