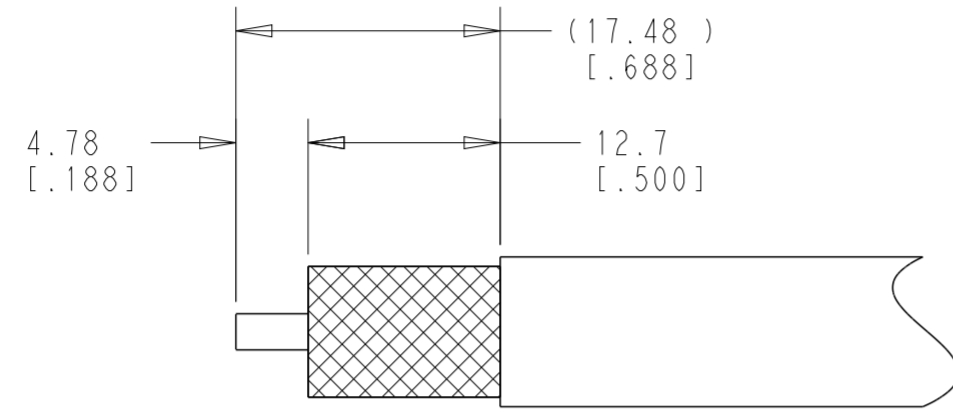
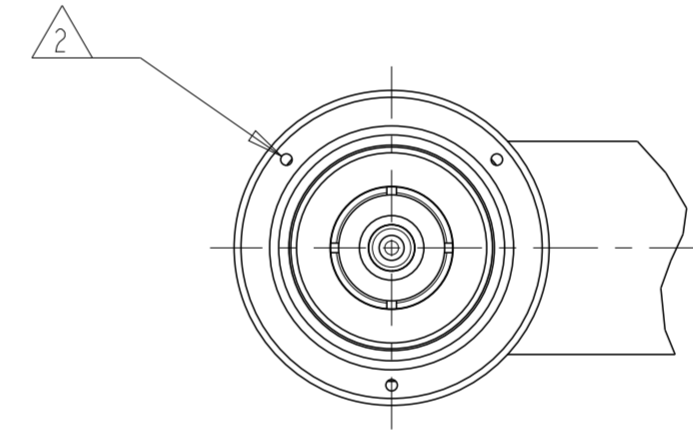
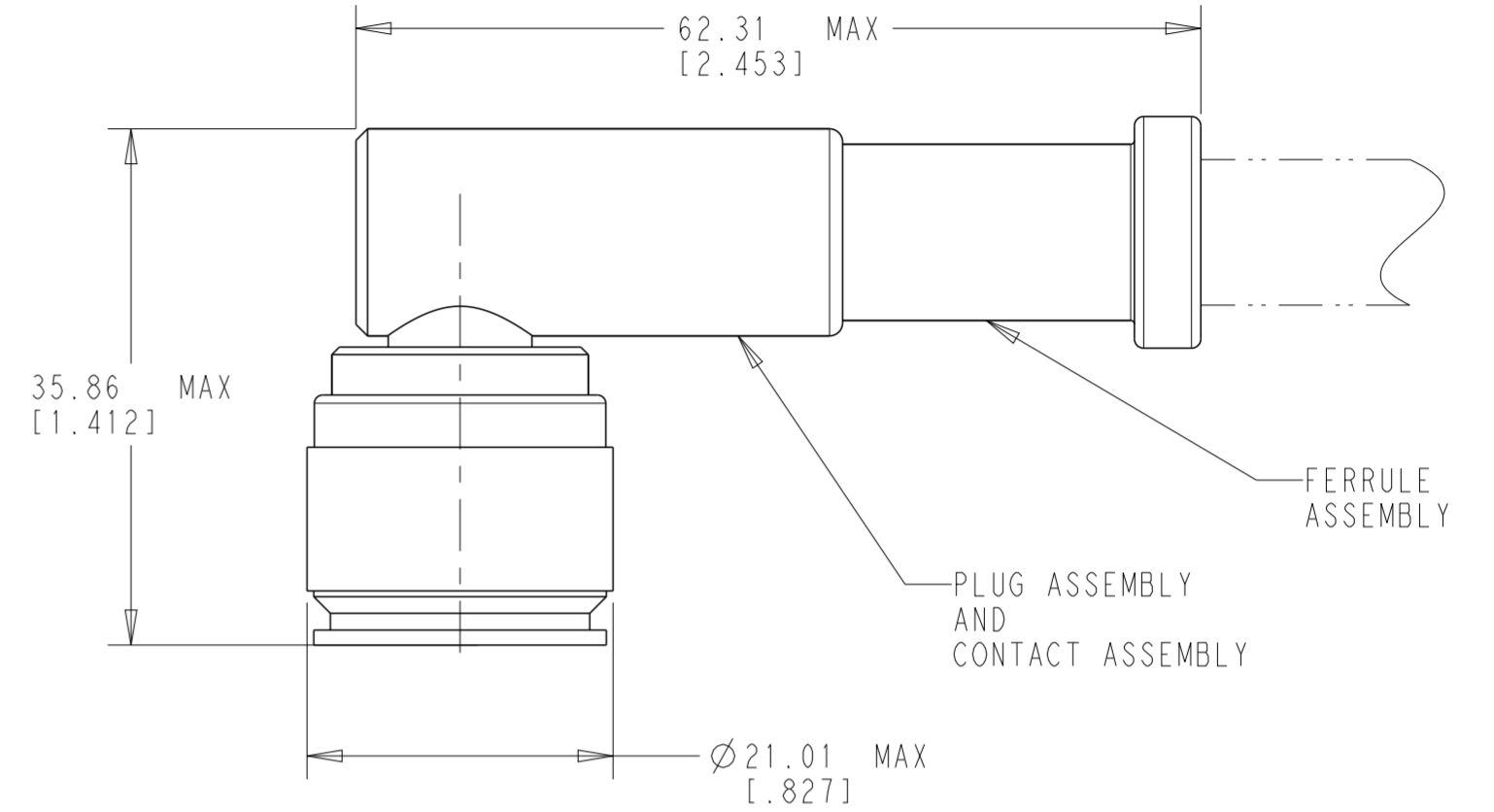


WARNING - THIS DOCUMENT CONTAINS TECHNOLOGY WHOSE EXPORT IS RESTRICTED BY THE EXPORT ADMINISTRATION REGULATIONS ("EAR") PURSUANT TO 15 C.F.R. PARTS 730-774. VIOLATIONS OF THE EAR ARE SUBJECT TO SEVERE CRIMINAL PENALTIES UNDER THE EXPORT CONTROL REFORM ACT, AS AMENDED (TITLE 50, U.S.C., SEC. 4801, ET SEQ.).

REVISIONS				
P	LTR	DESCRIPTION	DATE	APVD
P		REV PER ECN-24-277100	26 JUL 2024	LP MZ



RECOMMENDED STRIP LENGTH



ITEM	COMPONENT	MATERIAL	FINISH
PLUG ASSEMBLY	FERRULE	BRASS PER ASTM B16	SILVER PLATE PER ASTM B700
	DIELECTRIC	PTFE FLOUROCARBON PER ASTM D 1710	N/A
	DIELECTRIC	PTFE FLOUROCARBON PER ASTM D 1710	N/A
	SHELL	BRASS PER ASTM B 16	SILVER PLATE PER ASTM B700 OVER COPPER PER AMS 2418
	SHELL	BRASS PER ASTM B 16	SILVER PLATE PER ASTM B700 OVER COPPER PER AMS 2418
	BRAZING RING	BRAZING ALLOY B Ag-7	
	PIN	BRASS PER ASTM B 16	GOLD PLATE PER MIL-G-45204 OVER COPPER PER AMS 2418
	WASHER	PHOSPHOR BRONZE PER ASTM B103	
	COUPLING NUT	BRASS PER ASTM B 16	SILVER PLATE PER ASTM B700 OVER COPPER PER AMS 2418
	GASKET	SILICONE RUBBER PER ZZ-R-765	
	CONTACT ASSEMBLY	CONTACT	BERYLLIUM COPPER PER ASTM B 196
	CRIMP BARREL	BRASS PER ASTM B 16	GOLD PLATE PER MIL-G-45204 OVER COPPER PER AMS 2418
FERRULE ASSEMBLY	FERRULE	BRASS PER ASTM B 16	SILVER PLATE PER ASTM B700
	BUSHING	PTFE FLOUROCARBON PER ASTM D 1710	
	O-RING (225389-6 ONLY)	SILICONE RUBBER PER ZZ-R-765	

RG-393/U	225389-6 AMP	220015-1	225389-6
RG-225/U	225389-3 AMP	220015-1	225389-3
CABLE SIZE	STAMPING	CRIMP TOOL	PART NUMBER

NOTES:

1. PARTS PACKAGED UNASSEMBLED.

2. THREE SAFETY WIRE HOLES Ø0.61 [.024] MIN EQUALLY SPACED AROUND CIRCUMFERENCE

3. SEE NSTRUCTION SHEET 408-2028-5

THIS DRAWING IS A CONTROLLED DOCUMENT.		DWN L PROSPERI 16 JUL 2024	TE Connectivity	
DIMENSIONS: in		CHK M ZITTO 16 JUL 2024		
TOLERANCES UNLESS OTHERWISE SPECIFIED:		APVD D WILSON 16 JUL 2024	NAME PLUG, RIGHT ANGLE, WEATHERPROOF SERIES N	
0 PLC ±		PRODUCT SPEC 108-12019	SIZE A2	
1 PLC ±		APPLICATION SPEC	CAGE CODE 00779	DRAWING NO C-225389
2 PLC ±0.41 [.016]			RESTRICTED TO	
3 PLC ±			SCALE 2:1	SHEET 1 OF 1
4 PLC ±			REV P	
ANGLES ±				
FINISH				
MATERIAL				
		CUSTOMER DRAWING		