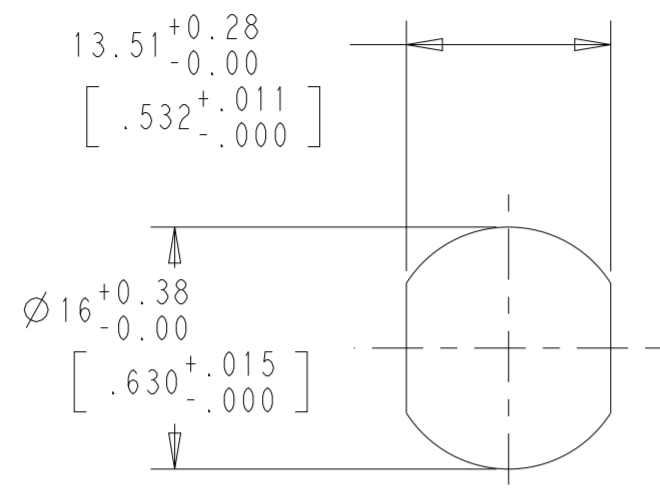


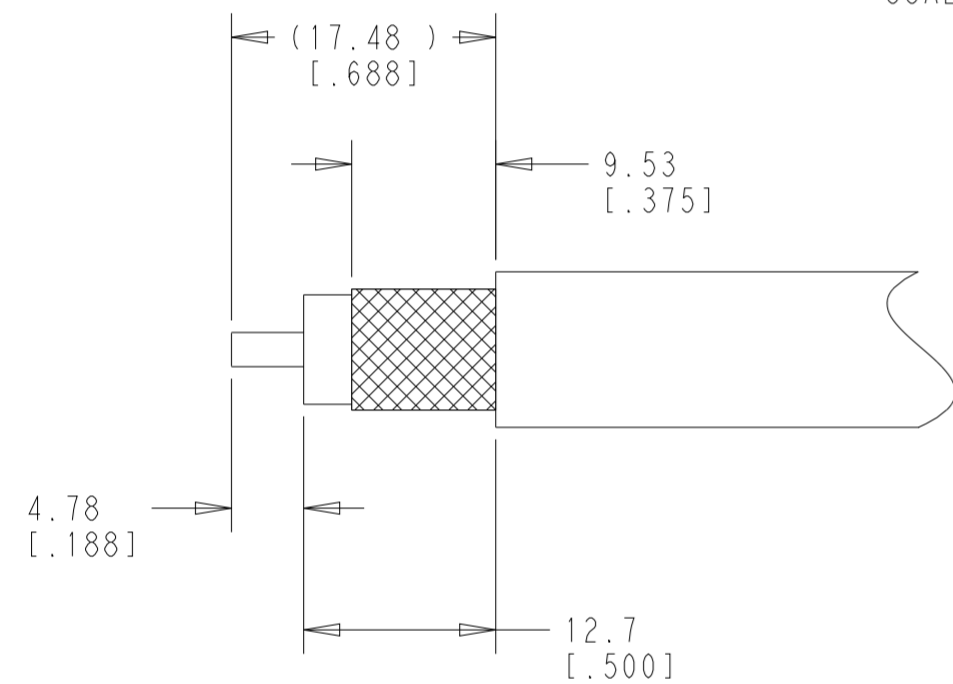
WARNING - THIS DOCUMENT CONTAINS TECHNOLOGY WHOSE EXPORT IS RESTRICTED BY THE EXPORT ADMINISTRATION REGULATIONS ("EAR") PURSUANT TO 15 C.F.R. PARTS 730-774. VIOLATIONS OF THE EAR ARE SUBJECT TO SEVERE CRIMINAL PENALTIES UNDER THE EXPORT CONTROL REFORM ACT, AS AMENDED (TITLE 50, U.S.C., SEC. 4801, ET SEQ.).



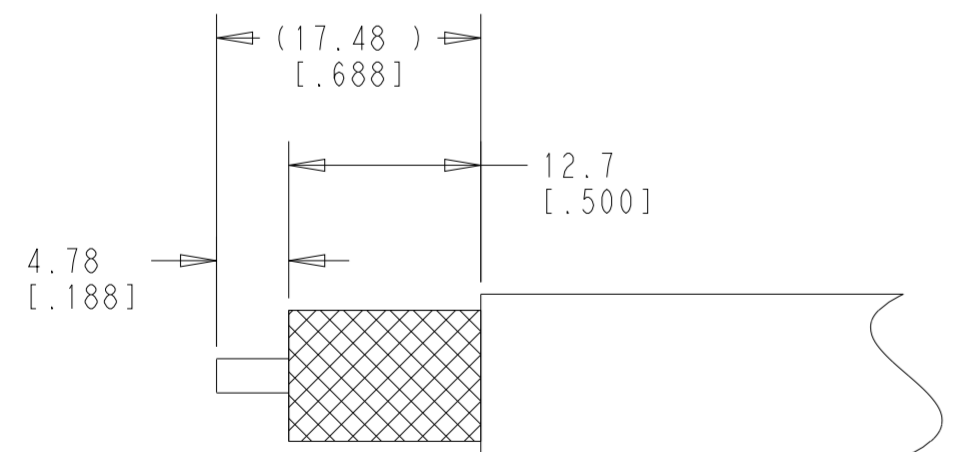
RECOMMENDED PANEL CUTOUT SCALE 2:1

ITEM	COMPONENT	MATERIAL	FINISH
JACK ASSEMBLY	SEAL	SILICONE RUBBER PER A-A-59588	
	SHELL	BRASS PER ASTM B 16	SILVER PLATE PER ASTM B700 OVER COPPER PER AMS 2418
	DIELECTRIC	PTFE FLOUROCARBON PER ASTM D 1710	N/A
	FERRULE	BRASS PER ASTM B 16	SILVER PLATE PER ASTM B700 OVER COPPER PER AMS 2418
CONTACT ASSEMBLY	FEMALE CONTACT	BERYLLIUM COPPER PER ASTM B 196	GOLD PLATE PER MIL-G-45204 OVER COPPER PER AMS 2418
	CRIMP BARREL CONTACT	BRASS PER ASTM B 16	GOLD PLATE PER MIL-G-45204 OVER COPPER PER AMS 2418
FERRULE ASSEMBLY	INNER FERRULE	BRASS PER ASTM B 16	SILVER PLATE PER ASTM B700
	O-RING	SILICONE RUBBER PER ZZ-R-765	
O-RING	O-RING	SILICONE RUBBER PER ZZ-R-766	
LOCKWASHER		PHOSPHOR BRONZE	SILVER PLATE PER ASTM B700 OVER COPPER PER AMS 2418
JAM NUT		BRASS PER ASTM B 16	SILVER PLATE PER ASTM B700 OVER COPPER PER AMS 2418

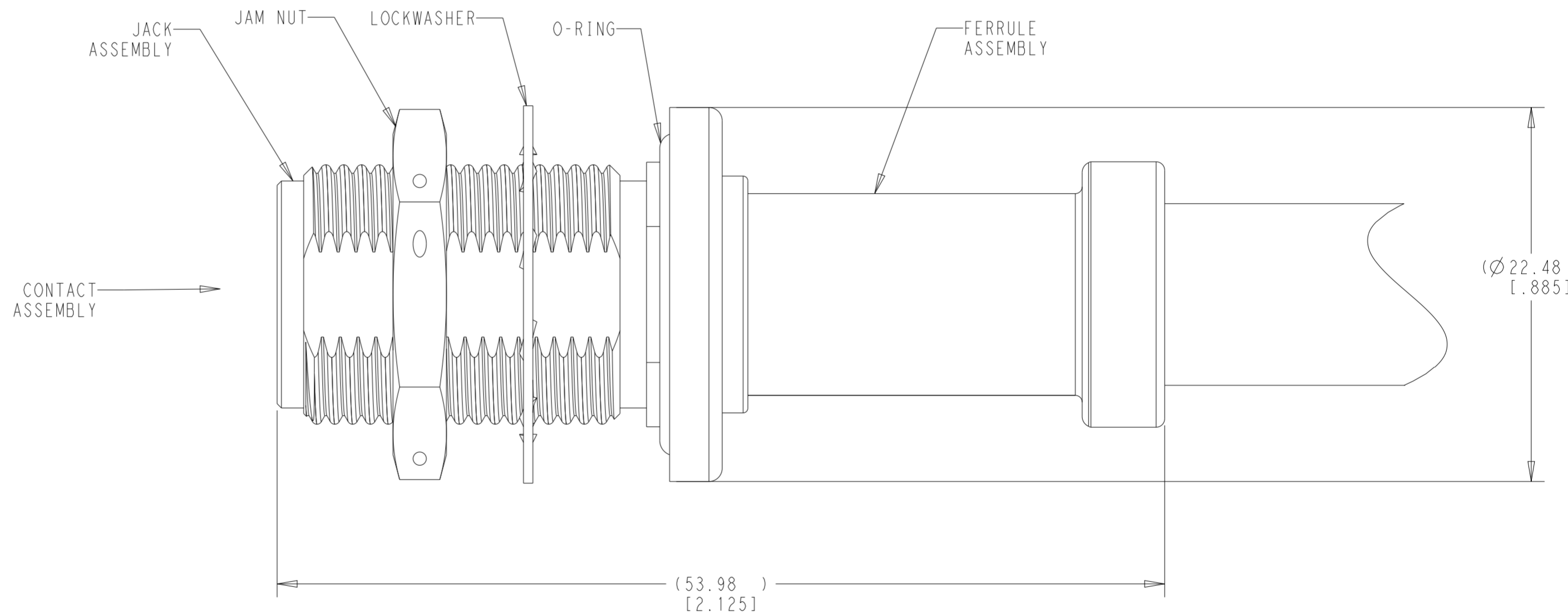
REVISIONS				
P	LTR	DESCRIPTION	DATE	APVD
	R	REV PER ECN-24-275617	28JUN2024	LP MZ



VIEW Y RECOMMENDED STRIP LENGTH SCALE 2:1



VIEW X RECOMMENDED STRIP LENGTH SCALE 2:1



RG-213/U	00779M39012/0380004 AMP & DATE CODE	Y	220015-1	225094-2
RG-214/U	00779M39012/0380005 AMP & DATE CODE	X	220015-1	225094-1
CABLE SIZE	STAMPING	VIEW	CRIMP TOOL	PART NUMBER

THIS DRAWING IS A CONTROLLED DOCUMENT.

DIMENSIONS: mm [in]	TOLERANCES UNLESS OTHERWISE SPECIFIED: 0 PLC ± 1 PLC ± 2 PLC ±0.41 [.016] 3 PLC ± 4 PLC ± ANGLES ± FINISH -	DWN L PROSPER 27JUN2024 CHK M ZITTO 27JUN2024 APVD D WILSON 27JUN2024	NAME JACK, BULKHEAD, WEATHERPROOF, SERIES N, MIL
MATERIAL -	FINISH -	PRODUCT SPEC 108-12019	RESTRICTED TO -
CUSTOMER DRAWING		WEIGHT -	SCALE 4:1 SHEET 1 OF 1 REV R

STE TE Connectivity