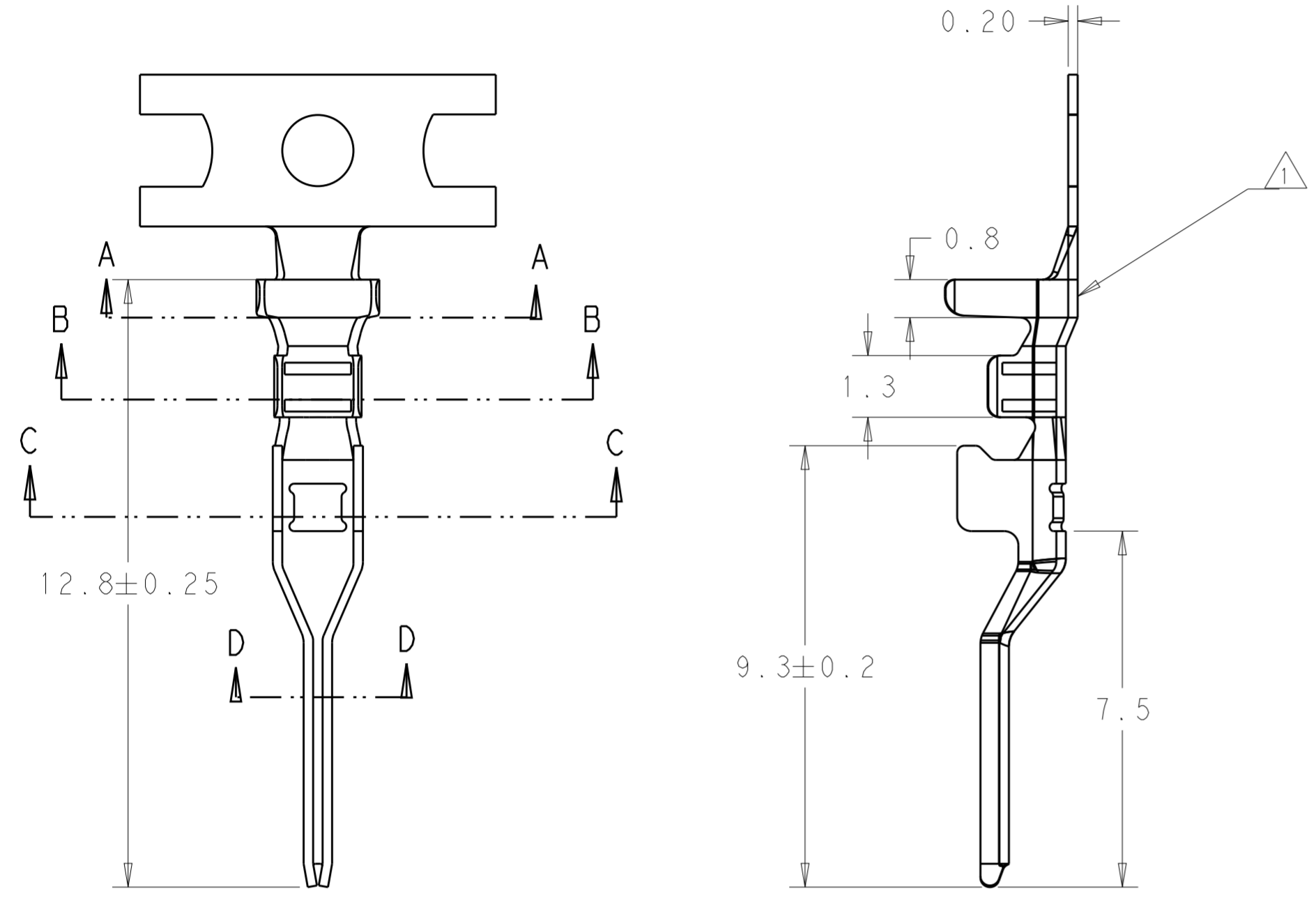
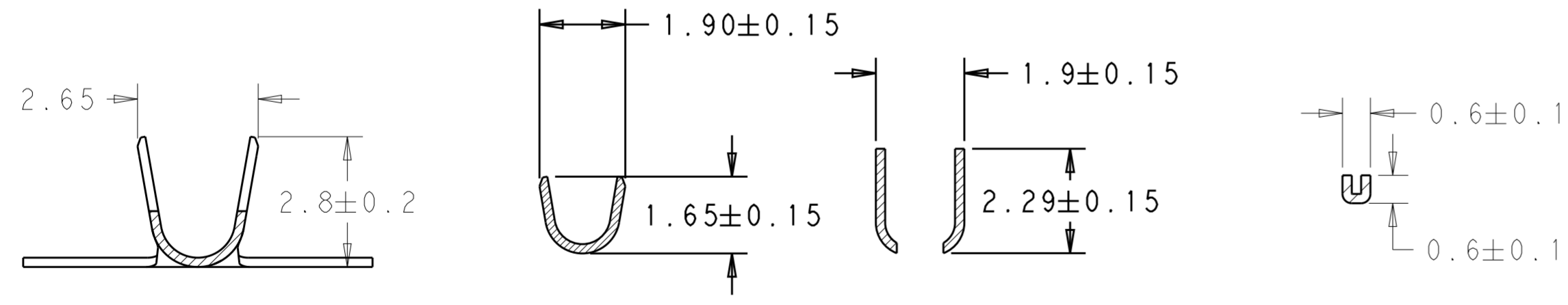
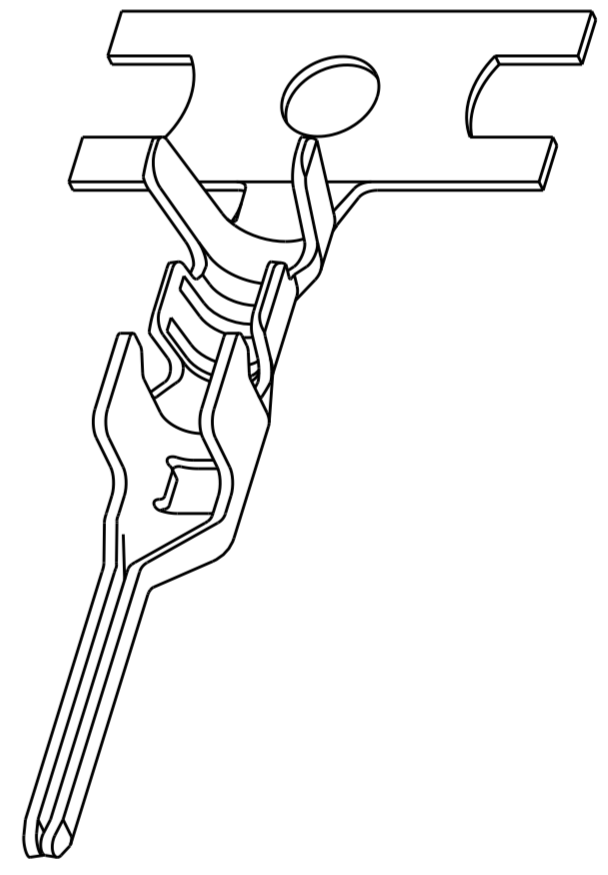


THIS DRAWING IS UNPUBLISHED. RELEASED FOR PUBLICATION 20
 © COPYRIGHT 20 BY - ALL RIGHTS RESERVED.

LOC		DIST		REVISIONS			
P	LTR	DESCRIPTION	DATE	DWN	APVD		
-	-	B	REVISED PER ECR-16-011195	09AUG16	O.C	D.Z	



- 1. TE LOGO.
- 2. QUANTITY PER REEL: 8000 PIECES.
- 3. CONTACT IS RoHS COMPLIANT.
- 4. WIRE RANGE: 22-26 AWG.
- 5. INSULATION RANGE: 1.3-1.7.



SECTION A-A SECTION B-B SECTION C-C SECTION D-D

TIN OVER NICKEL	BRASS	2238007-1
FINISH	MATERIAL	PART NO.

THIS DRAWING IS A CONTROLLED DOCUMENT.		DWN S. EDWARDS 14DEC2012	TE Connectivity	
DIMENSIONS: mm		CHK - 14DEC2012		
TOLERANCES UNLESS OTHERWISE SPECIFIED:		APVD - 14DEC2012	NAME TERMINAL, PIN ECONOMY POWER 2.5	
0 PLC ±		PRODUCT SPEC 108-2418	SIZE A200779	
1 PLC ±0.5		APPLICATION SPEC 114-13315	CAGE CODE C-2238007	
2 PLC ±0.13		WEIGHT -	DRAWING NO -	
3 PLC ±0.013		RESTRICTED TO -		
4 PLC ±0.0001		SCALE 9:1 SHEET 1 OF 1 REV B		
ANGLES ±		Customer Drawing		
FINISH				
SEE TABLE				