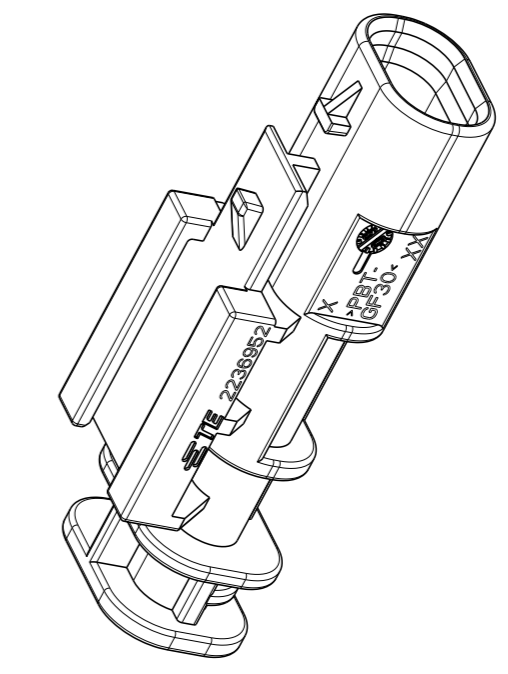
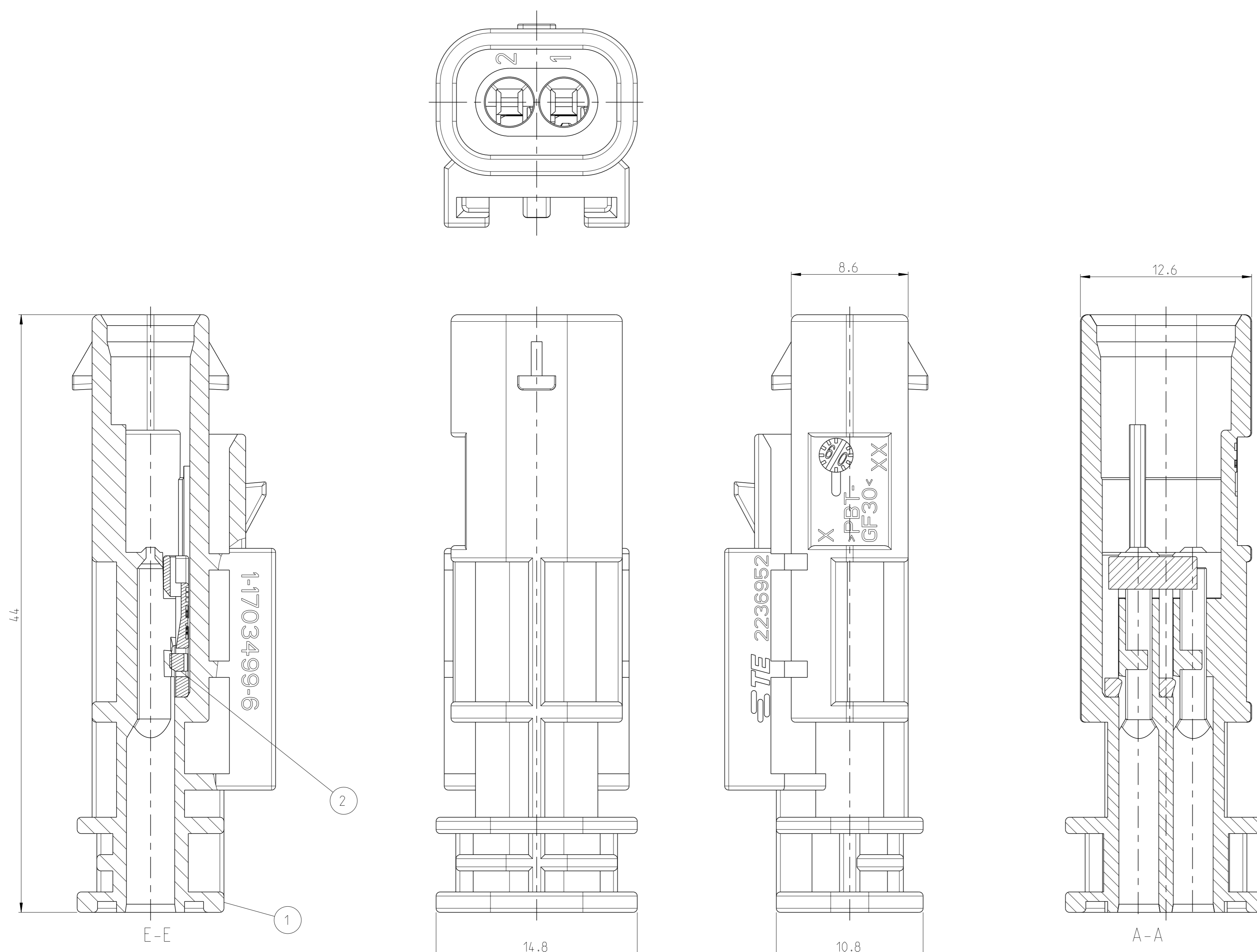
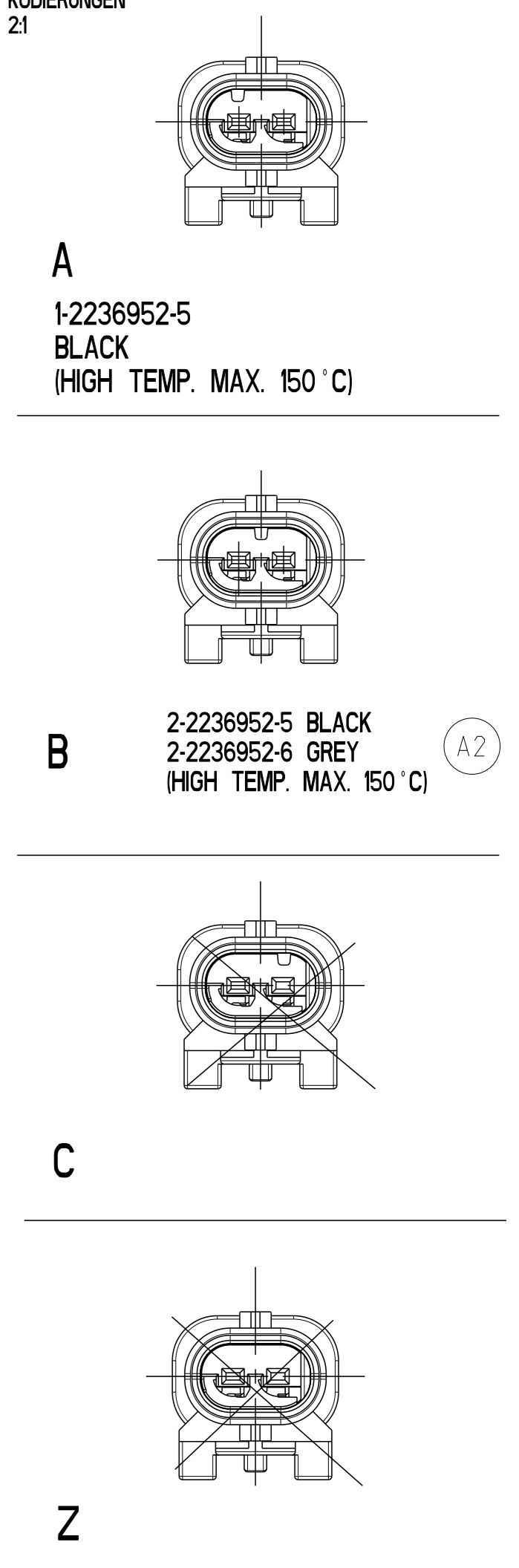


REVISIONS					
#	LY#	DESCRIPTION	DATE	OWN	APVD
A		New drawing	02JUN2014	MT	HR
A1		ECR-14-018531	11DEC2014	MT	HR
A2		ECR-16-003418	05MAR2016	GN	GB



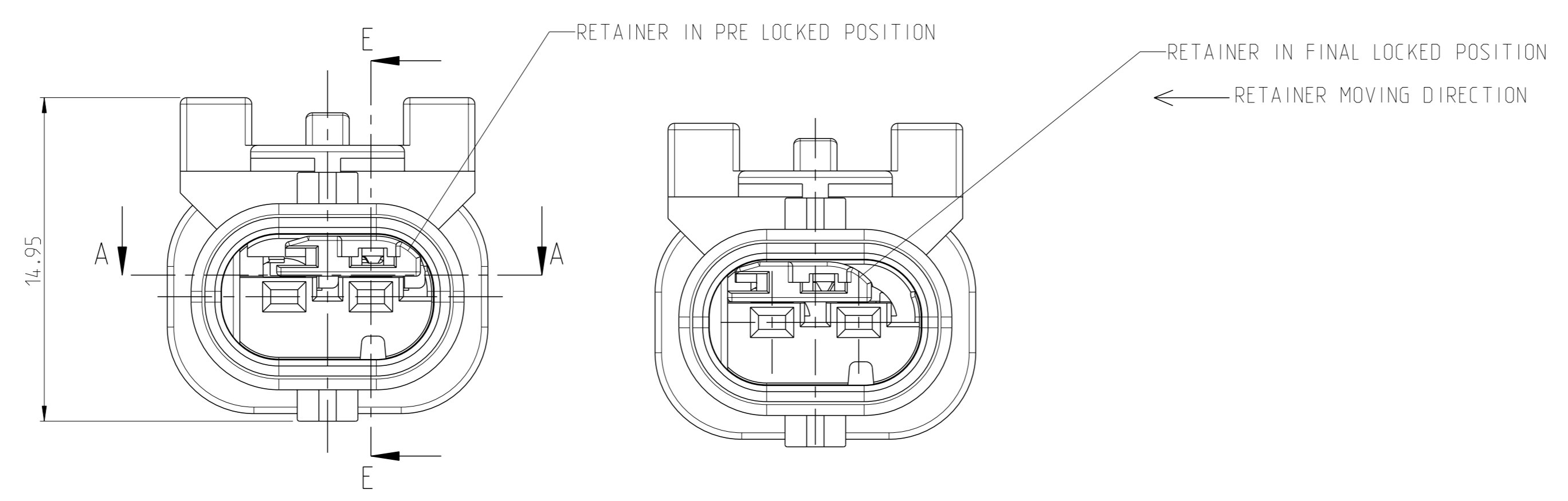
CODINGS
KODIERUNGEN
21



PN 1-2236952-5 AS SHOWN

USED MCON 1.2mm LL MALE TERMINALS AND SEALS			
TE-PN. TERMINALS	WIRE RANGE	TE-PN. SINGLE WIRE SEAL	TE-PN. BLIND PLUG
2141868	0.14 - 0.22mm ²	967067-2	967056-1
1718758	0.25 - 0.35mm ²	967067-2	
1718760	0.5 - 0.75mm ²	967067-1	
1718762	1mm ²	967067-1	

TERMINAL TE-APPLICATION SPEC.: 114-18464.



QTY	TITLE	MATERIAL	SURFACE/COLOUR	ITEM
1	RETAINER	PA66-GF35	VIOLET	2
1	MALE HOUSING	PBT-GF30	GREY	1
1	RETAINER	PA66-GF35	VIOLET	2
1	MALE HOUSING	PBT-GF30	BLACK	1b
1	RETAINER	PA66-GF35	VIOLETT	2
1	MALE HOUSING	PBT-GF30	BLACK	1a

REGRIND MAX. 25%

THIS DRAWING IS A CONTROLLED DOCUMENT. OWN: M. TRAJKOV, 22JAN2014; CHK: H. RIPPER, 22JAN2014; APVD: -

DIMENSIONS: mm	TOLERANCES UNLESS OTHERWISE SPECIFIED:	PRODUCT SPEC: 108-94177-1	APPLICATION SPEC: 114-18910-1	WEIGHT: -	Customer Drawing
0 PLC ±0.5	1 PLC ±0.5	2 PLC ±0.5	3 PLC ±	4 PLC ±	ANGLES FINISH ±

MALE HSG. 2POS., MCON 1.2mm SEALED (HIGH TEMP.)
 SIZE: A1, CAGE CODE: -
 SCALE: 5:1, SHEET: 1 OF 1, REV: A2