

THIS DRAWING IS UNPUBLISHED  
 VERTRÄULICHE UNVERÖFFENTLICHTE ZEICHNUNG  
 © COPYRIGHT 2013 Tyco Electronics AMP GmbH

RELEASED FOR PUBLICATION  
 FREI FUER VERÖFFENTLICHUNG  
 ALL RIGHTS RESERVED.  
 ALLE RECHTE VORBEHALTEN.

2013

MATED WITH:  
 PASSEND ZU:

THE DRAWING SHOWS THE 2-DIMENSIONAL REFERENCE COMPONENT CONDITION OF THE ASSEMBLY TO IDENTIFY AND SPECIFY THE NECESSARY DIMENSIONS ONLY. THE DELIVERED PARTS MAY DEVIATE FROM THE DRAWING REGARDING THE ORIENTATION AND POSITION OF EACH COMPONENT (e.g. SLACK CABLE), SO FAR THE FUNCTIONALITY IS NOT CONCERNED.  
 DIE ZEICHNUNG ZEIGT DEN 2-DIMENSIONALEN IDEALZUSTAND DES ZUSAMMENBAUTEILS BEZUEGLICH DER KOMPONENTEN ZUR IDENTIFIKATION UND SPEZIFIKATION DER NOTWENDIGEN DIMENSIONEN. HINSICHTLICH DER ORIENTIERUNG UND DER LAGE DER KOMPONENTEN (z.B. BIEGESCHLAFTES KABEL) KOENNEN DIE DELIEFERTEN TEILE VON DER ZEICHNUNG ABWEICHEN, SOFERN DIE FUNKTIONALITAET NICHT BEEINTRAECHTIGT IST.

PROJEKT NR.:  
 PRJ-13-000004214

REVISIONS ÄNDERUNGEN					
P	LTR	DESCRIPTION BESCHREIBUNG	DATE	DWN	APVD
	G6	ADDED NEW LENGTH	13DEC2018	MC	JV
	G7	ADDED NEW LENGTH	12MAR2019	MC	JV

LENGTH SCHEDULE:

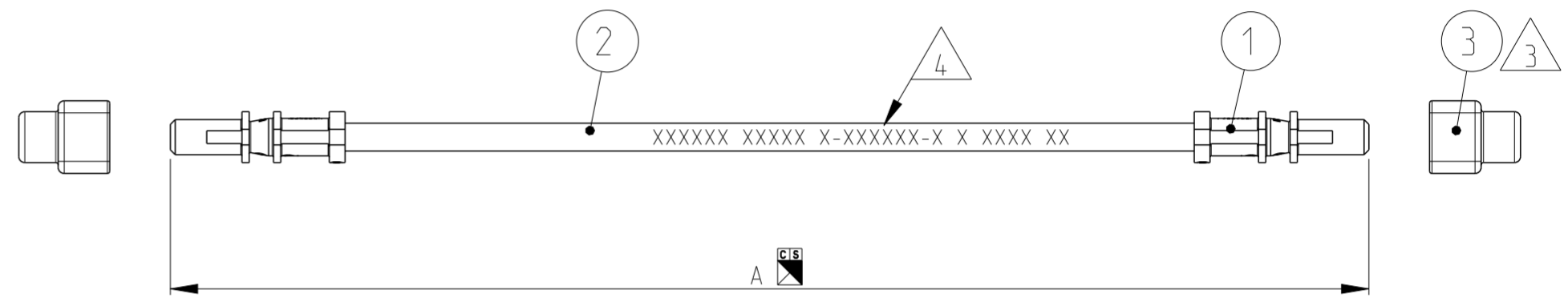
TE PART NO.	REV.	LENGTH A [mm]	VOLUME [mm <sup>3</sup> ]	WEIGHT [g]
2236726-1	B	410	2083	2.4
2236726-2	B	1000	4534	5.2
2236726-3	B	1190	5323	6.1
2236726-4	B	4640	19657	22.7
2236726-5	B	4850	20530	23.7
2236726-6	B	4925	20841	24.0
2236726-7	B	1115	5012	5.8
2236726-8	B	1250	5573	6.4
2236726-9	B	1330	5905	6.8
1-2236726-0	B	1920	8356	9.6
1-2236726-1	B	2220	9603	11.1
1-2236726-2	B	2500	10766	12.4
1-2236726-3	B	2600	11182	12.9
1-2236726-4	B	3400	14505	16.7
1-2236726-5	B	3650	15544	17.9
1-2236726-6	B	4500	19060	22.1
1-2236726-7	B	4400	18677	21.5
1-2236726-8	B	4490	19035	22.0
1-2236726-9	B	5060	21403	24.7
2-2236726-0	B	5070	21428	24.8
2-2236726-1	B	5235	22097	25.7
2-2236726-2	B	5800	24487	28.3
2-2236726-3	B	9650	40889	47.1
2-2236726-4	A	1120	5033	5.8
2-2236726-5	A	1050	4742	5.4
2-2236726-6	A	580	2789	3.2
2-2236726-7	A	620	2955	3.4
2-2236726-8	A	3890	16541	19.1
2-2236726-9	A	1065	4788	5.6
3-2236726-0	A	310	1651	2.0
3-2236726-1	A	485	2378	2.8
3-2236726-2	A	685	3209	3.8
3-2236726-3	A	1055	4746	5.5
3-2236726-4	A	1230	5474	6.4
3-2236726-5	A	1255	5577	6.5
3-2236726-6	A	3850	16359	19.0
3-2236726-7	A	4140	17564	20.4
3-2236726-8	A	4300	18229	21.1
3-2236726-9	A	4445	18831	21.8
4-2236726-0	A	4495	19039	22.1
4-2236726-1	A	425	2145	2.4
4-2236726-2	A	615	2934	3.4
4-2236726-3	A	845	3890	4.5
4-2236726-4	A	1740	7608	8.8
4-2236726-5	A	1820	7941	9.1
4-2236726-6	A	540	2623	3.0
4-2236726-7	A	6215	26186	30.3
4-2236726-8	A	9460	40084	46.2
4-2236726-9	A	460	2274	2.7
5-2236726-0	A	650	3064	3.6
5-2236726-1	A	800	3687	4.3
5-2236726-2	A	5185	21890	25.3
5-2236726-3	A	10000	42372	48.8
5-2236726-4	A	1860	8095	9.3
5-2236726-5	A	2590	11139	12.8
5-2236726-6	A	3275	13972	16.1
5-2236726-7	A	3720	15870	18.3
5-2236726-8	A	2630	11271	13.2
5-2236726-9	A	1985	8639	10.0

TE PART NO.	REV.	LENGTH A [mm]	VOLUME [mm <sup>3</sup> ]	WEIGHT [g]
6-2236726-0	A	5035	21281	24.6
6-2236726-1	A	4815	20368	23.5
6-2236726-2	A	4605	19495	22.5
6-2236726-3	A	4220	17897	20.7
6-2236726-4	A	2390	10298	11.9
6-2236726-5	A	2770	11876	13.7
6-2236726-6	A	1470	6477	7.5
6-2236726-7	A	2663	11432	13.2
6-2236726-8	A	1347	5967	6.9
6-2236726-9	A	1193	5327	6.2
7-2236726-0	A	3398	14484	16.7
7-2236726-1	A	4430	18769	21.7
7-2236726-2	A	3725	15842	18.3
7-2236726-3	A	2200	9509	11.0
7-2236726-4	A	2735	11730	13.6
7-2236726-5	A	3995	16963	19.6
7-2236726-6	A	2700	11585	13.4
7-2236726-7	A	3800	16153	18.7
7-2236726-8	A	1946	8454	9.8
7-2236726-9	A	2241	9679	11.2
8-2236726-0	A	7043	29620	34.2
8-2236726-1	A	2160	9343	10.8
8-2236726-2	A	2320	10007	11.6
8-2236726-3	A	650	3072	3.6
8-2236726-4	A	1785	7785	9.0
8-2236726-5	A	5346	22573	26.1
8-2236726-6	A	4850	20513	23.7
8-2236726-7	A	5500	23213	26.8
8-2236726-8	A	5130	21676	25.1
8-2236726-9	A	4480	18977	21.9
9-2236726-0	A	1404	6203	7.2
9-2236726-1	A	1611	7063	8.2
9-2236726-2	A	1538	6760	7.8
9-2236726-3	A	1720	7516	8.7
9-2236726-4	A	4270	18105	20.9
9-2236726-5	A	1080	4858	5.6
9-2236726-6	A	3840	16319	18.9

G7

LENGTH TOLERANCES:

LENGTH [mm]	TOLERANCE [mm]
100 to 499	±4
500 to 1000	±6
1001 to 5000	+6 -21
5001 to 6000	+7 -25
6001 to 7000	+8 -29
7001 to 8000	+9 -33
8001 to 9000	+10 -37
9001 to 10000	+11 -40



NOTES

- PACKAGING:  
 POF LEAD LENGTH < 1300 mm (EXCEPTION FOR LAMBDA AUTOMAT LENGTH <1500mm): LEADS IN PLASTIC BAG. PLASTIC BAGS IN TE STANDARD BOX.  
 POF LEAD LENGTH > 1300 mm (LAMBDA AUTOMAT LENGTH >1500mm) COILED (APPROX. 160mm DIAM.) AND FIXED WITH RUBBER CORDS LEADS IN PLASTIC BAG. PLASTIC BAGS IN TE STANDARD BOX.
- 100% TESTED OPTICAL ATTENUATION.
- DUST CAPS ON OPTICAL CONTACTS.
- FO-NO.. MANUFACTURING DATE (DW WYY), TE PN, TE REV., LENGTH AND LINE NO. PRINTED ON POF. LENGTH SMALLER THEN 200 mm NO PRINT. AT LEAST ONE PRINTING MUST BE READABLE.
- ASSEMBLY WITH PLASTIC PIN CONTACTS

PRODUCT CHARACTERISTICS ACC. QMP EMEA_12 BESONDERE MERKMALE NACH QMP EMEA_12	TOLERANCING ISO 8015 TOLERIERUNG ISO 8015
DIESE ZEICHNUNG IST EIN KONTROLLIERTES DOKUMENT. BEMASSUNGEN UND TOLERANZEN GEMAESS GPS (ISO STANDARDS).	
THIS DRAWING IS A CONTROLLED DOCUMENT. DIMENSIONING AND TOLERANCING PER GPS (ISO STANDARDS).	
DIMENSIONS: MASSEINHEITEN: (MM)	TOLERANCES UNLESS OTHERWISE SPECIFIED: ALLGEMEINTOLERANZEN
0 PLC ±	1 PLC ±
1 PLC ±	2 PLC ±
2 PLC ±	3 PLC ±
3 PLC ±	4 PLC ±
4 PLC ±	ANGLES/WINKEL ±
F INISH/OBERFLAECHE/FARBE	
MATERIAL	

DWN M. Zelch 19SEP2013	CHK J. Bernstorf 19SEP2013	APVD M. Folk 20SEP2013	NAME MOST, VW CABLE ASSEMBLY MOST POF LEAD
PRODUCT SPEC PRODUKTSPEZ. 108-18698			TE Connectivity
APPLICATION SPEC VERARBEITUNGSSPEZ. 114-18322			SIZE A2
WEIGHT GEWICHT	-	DRAWING NO. ZEICHNUNGS-NR. G-2236726	RESTRICTED TO NUR FUER -
Customer Drawing	/KUNDENZEICHNUNG	SCALE MASSSTAB 2:1	SHEET BLATT 1 OF VON 1
			REV G7