

THIS DRAWING IS UNPUBLISHED.

RELEASED FOR PUBLICATION

REVISIONS

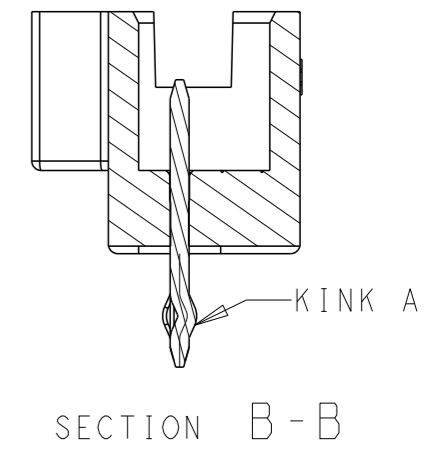
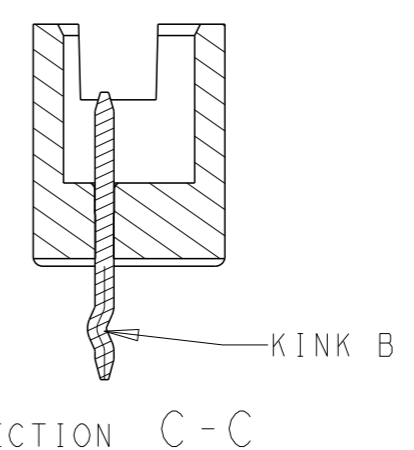
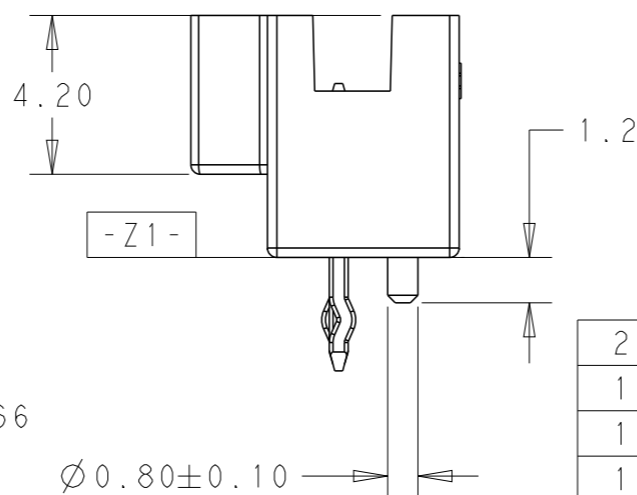
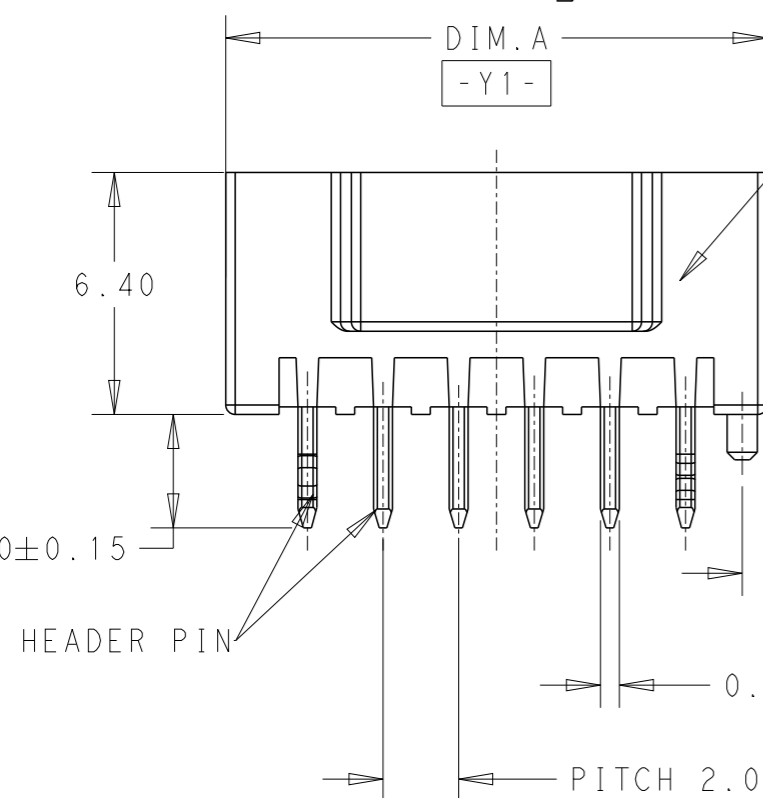
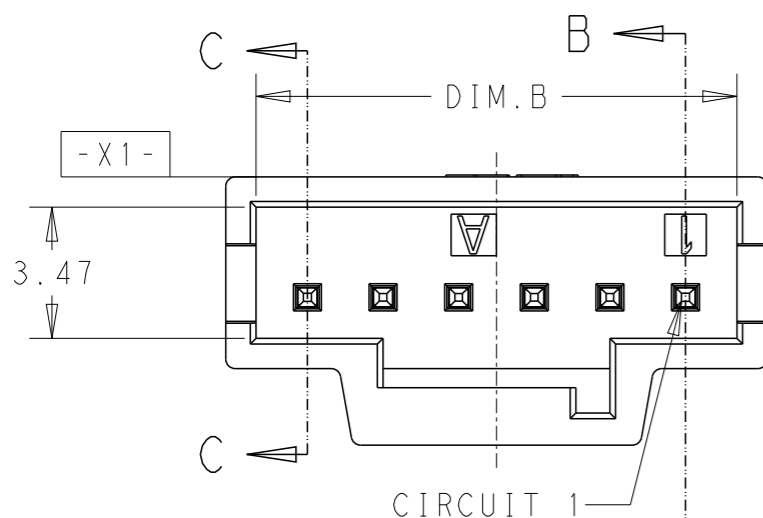
© COPYRIGHT copyright_dBye-

ALL RIGHTS RESERVED.

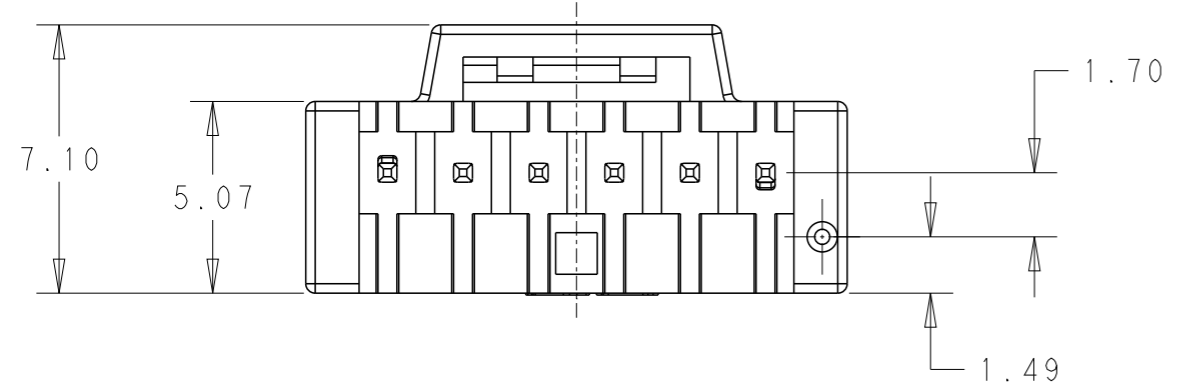
P	LTR	DESCRIPTION	DATE	DWN	APVD
	B	REVISED PER ECR-24-202783	28MAY2024	C.X	L.C

KEY A SHOWN FOR 6 POSITION

- 1 MATERIAL: HOUSING: THERMOPLASTIC, UL94 V0;
HEADER PIN: BRASS
- 2 HEADER PIN FINISH: 2um MINIMUM TIN OVER 1.27um
MINIMUM NICKEL. LEAD FREE PLATING.
- 3. PARTS MEETS IEC 60335-1 GWT (GLOW WIRE TEST) 750° SPEC;
- 4 OBSOLETE.



COUNTERPART	DIM.B	DIM.A	POS.	KEYING	COLOR	ASSEMBLY PART NO.
2-2232979-0	20.72	22.32	10			2-2232826-0
1-2232979-9	18.72	20.32	9			1-2232826-9
1-2232979-8	16.72	18.32	8			1-2232826-8
1-2232979-7	14.72	16.32	7			1-2232826-7
1-2232979-6	12.72	14.32	6	A	NATURAL	1-2232826-6
1-2232979-5	10.72	12.32	5			1-2232826-5
1-2232979-4	8.72	10.32	4			1-2232826-4
1-2232979-3	6.72	8.32	3			1-2232826-3
1-2232979-2	4.72	6.32	2			1-2232826-2



THIS DRAWING IS A CONTROLLED DOCUMENT.

DWN OTTO CHEN 10NOV2016
 CHK DANIEL Z 15NOV2016
 APVD DANIEL Z 15NOV2016

NAME: HEADER ASSEMBLY, VERTICAL, SGI 2.0mm

PRODUCT SPEC: 108-106266
 APPLICATION SPEC: 114-106266

WEIGHT: -

SIZE: A3 CAGE CODE: - DRAWING NO: C-2232826 RESTRICTED TO: -

CUSTOMER DRAWING SCALE: 5:1 SHEET: 1 OF 4 REV: B

DIMENSIONS: mm TOLERANCES UNLESS OTHERWISE SPECIFIED:
 0 PLC ±-
 1 PLC ±0.30
 2 PLC ±0.20
 3 PLC ±-
 4 PLC ±-
 ANGLES ±-
 FINISH

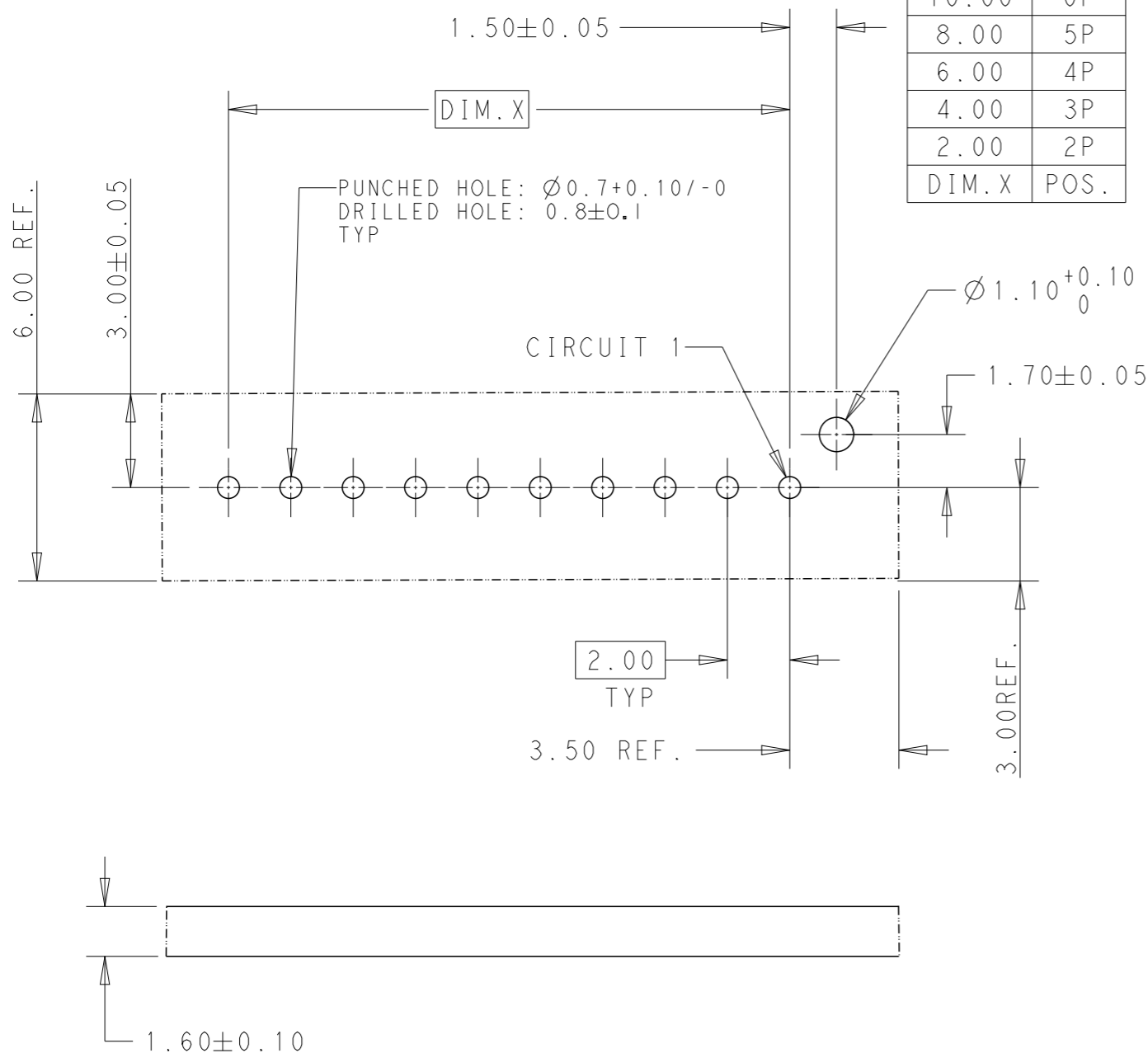
MATERIAL 1 FINISH 2

STE TE Connectivity

REVISIONS

P	LTR	DESCRIPTION	DATE	DWN	APVD
		SEE SHEET 1			

RECOMMENDED PCB LAYOUT



18.00	10P
16.00	9P
14.00	8P
12.00	7P
10.00	6P
8.00	5P
6.00	4P
4.00	3P
2.00	2P
DIM.X	POS.

COUNTERPART	DIM.B	DIM.A	POS.	KEYING	COLOR	ASSEMBLY PART NO.
5-2232979-0	20.72	22.32	10			5-2232826-0
4-2232979-9	18.72	20.32	9			4-2232826-9
4-2232979-8	16.72	18.32	8			4-2232826-8
4-2232979-7	14.72	16.32	7			4-2232826-7
4-2232979-6	12.72	14.32	6	B	BLACK	4-2232826-6
4-2232979-5	10.72	12.32	5			4-2232826-5
4-2232979-4	8.72	10.32	4			4-2232826-4
4-2232979-3	6.72	8.32	3			4-2232826-3
4-2232979-2	4.72	6.32	2			4-2232826-2
4-2232979-0	20.72	22.32	10			4-2232826-0
3-2232979-9	18.72	20.32	9			3-2232826-9
3-2232979-8	16.72	18.32	8			3-2232826-8
3-2232979-7	14.72	16.32	7			3-2232826-7
3-2232979-6	12.72	14.32	6	A	BLACK	3-2232826-6
3-2232979-5	10.72	12.32	5			3-2232826-5
3-2232979-4	8.72	10.32	4			3-2232826-4
3-2232979-3	6.72	8.32	3			3-2232826-3
3-2232979-2	4.72	6.32	2			3-2232826-2
3-2232979-0	20.72	22.32	10			3-2232826-0
2-2232979-9	18.72	20.32	9			2-2232826-9
2-2232979-8	16.72	18.32	8			2-2232826-8
2-2232979-7	14.72	16.32	7			2-2232826-7
2-2232979-6	12.72	14.32	6	B	NATURAL	2-2232826-6
2-2232979-5	10.72	12.32	5			2-2232826-5
2-2232979-4	8.72	10.32	4			2-2232826-4
2-2232979-3	6.72	8.32	3			2-2232826-3
2-2232979-2	4.72	6.32	2			2-2232826-2

THIS DRAWING IS A CONTROLLED DOCUMENT.

DIMENSIONS:	TOLERANCES UNLESS OTHERWISE SPECIFIED:
mm	
	0 PLC ±-
	1 PLC ±0.30
	2 PLC ±0.20
	3 PLC ±-
	4 PLC ±-
	ANGLES ±-
MATERIAL	FINISH

DWN	OTTO CHEN	10NOV2016
CHK	DANIEL	15NOV2016
APVD	DANIEL	15NOV2016
PRODUCT SPEC	108-106266	
APPLICATION SPEC	114-106266	
WEIGHT	-	
CUSTOMER DRAWING		

STE TE Connectivity

NAME: HEADER ASSEMBLY, VERTICAL, SGI 2.0mm

SIZE	CAGE CODE	DRAWING NO	RESTRICTED TO
A3	-	C-2232826	

SCALE: 5:1 SHEET: 2 OF 4 REV: B

THIS DRAWING IS UNPUBLISHED.

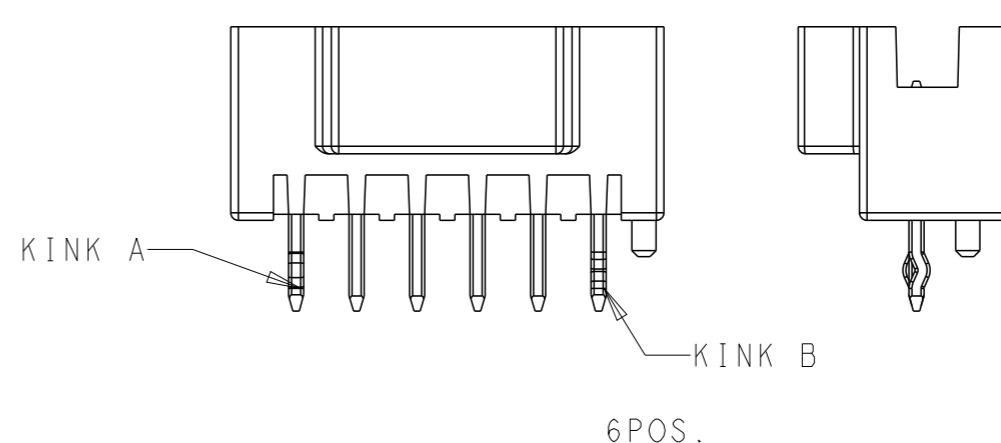
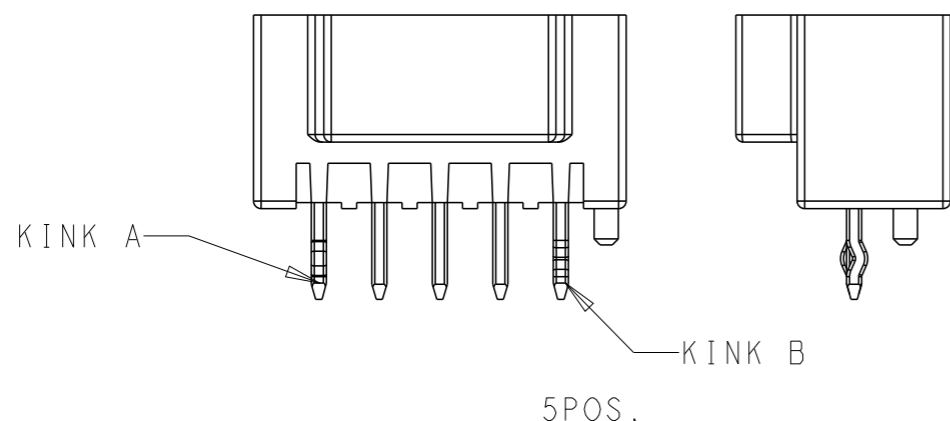
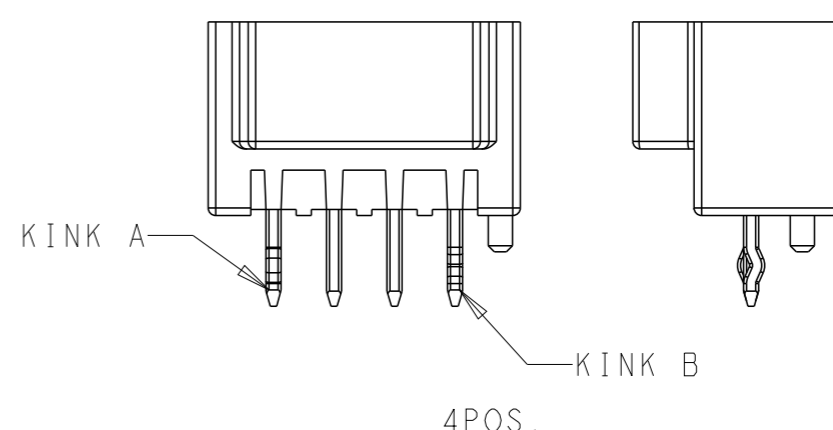
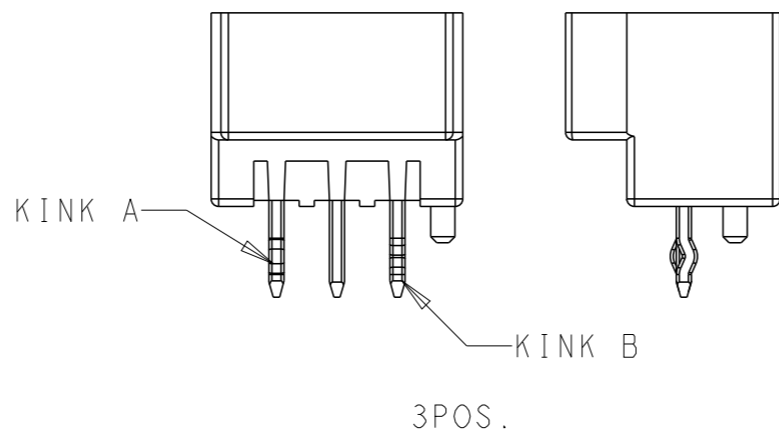
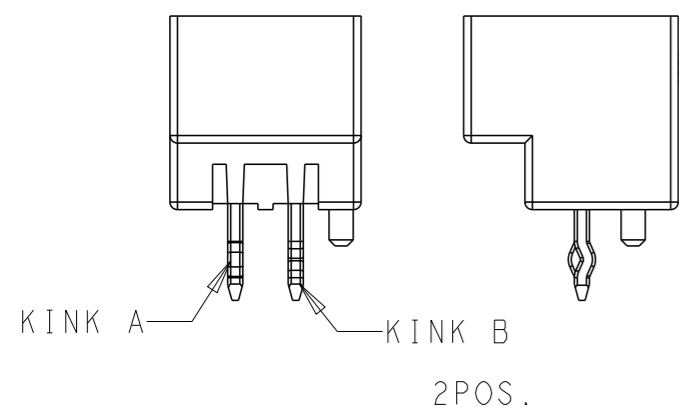
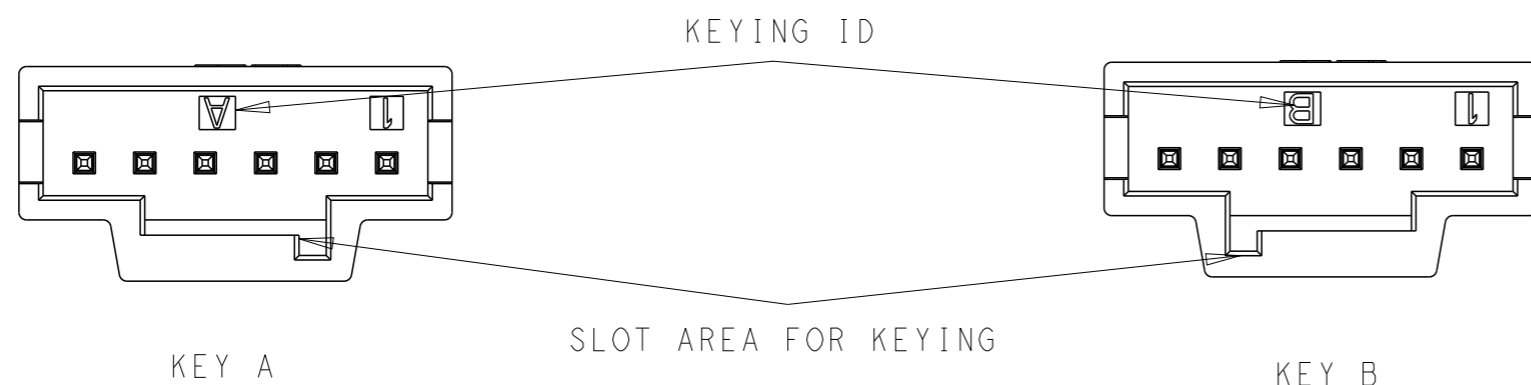
RELEASED FOR PUBLICATION

© COPYRIGHT copyright_dBye-


ALL RIGHTS RESERVED.

REVISIONS

P	LTR	DESCRIPTION	DATE	DWN	APVD
-	-	SEE SHEET 1	-	-	-



KEY A SHOWN FOR 2 THRU 10 POS.

THIS DRAWING IS A CONTROLLED DOCUMENT.		DWN OTTO CHEN 15NOV2016	 TE Connectivity	
DIMENSIONS: mm		CHK DANIEL Z 10NOV2016		
TOLERANCES UNLESS OTHERWISE SPECIFIED:		APVD DANIEL Z 15NOV2016	NAME HEADER ASSEMBLY, VERTICAL, SGI 2.0mm	
0 PLC ±- 1 PLC ±0.30 2 PLC ±0.20 3 PLC ±- 4 PLC ±- ANGLES ±-		PRODUCT SPEC 108-106266	RESTRICTED TO	
MATERIAL 1		FINISH 2	APPLICATION SPEC 114-106266	SIZE A3
		WEIGHT -	CAGE CODE -	DRAWING NO C-2232826
CUSTOMER DRAWING			SCALE 5:1	SHEET 3 OF 4
			REV B	

THIS DRAWING IS UNPUBLISHED.

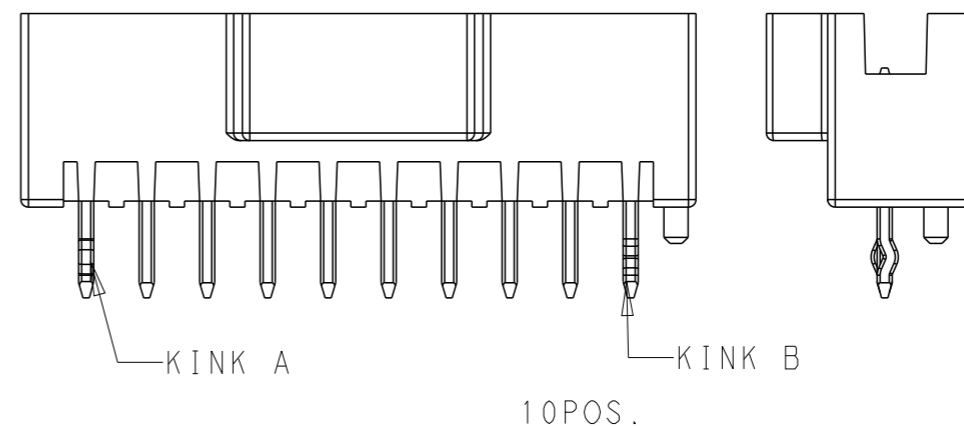
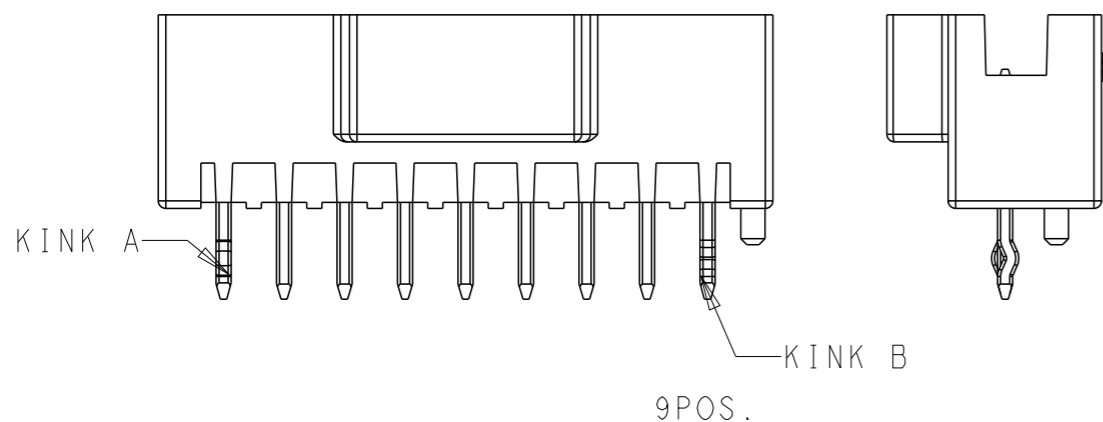
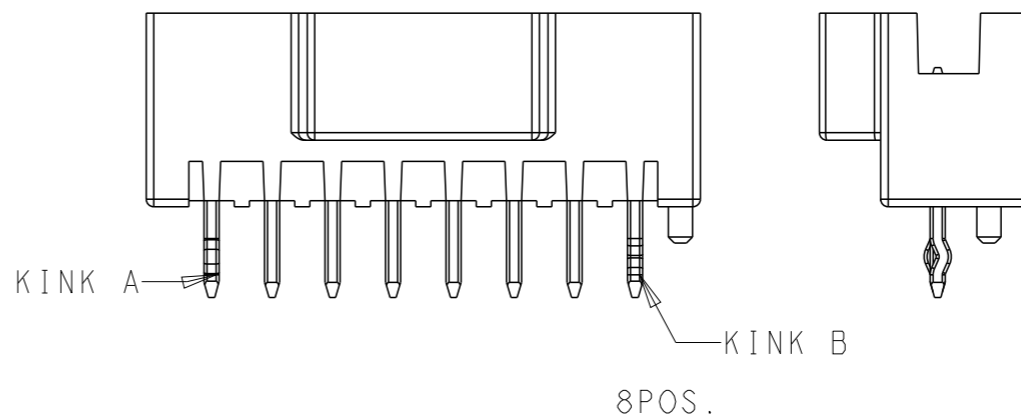
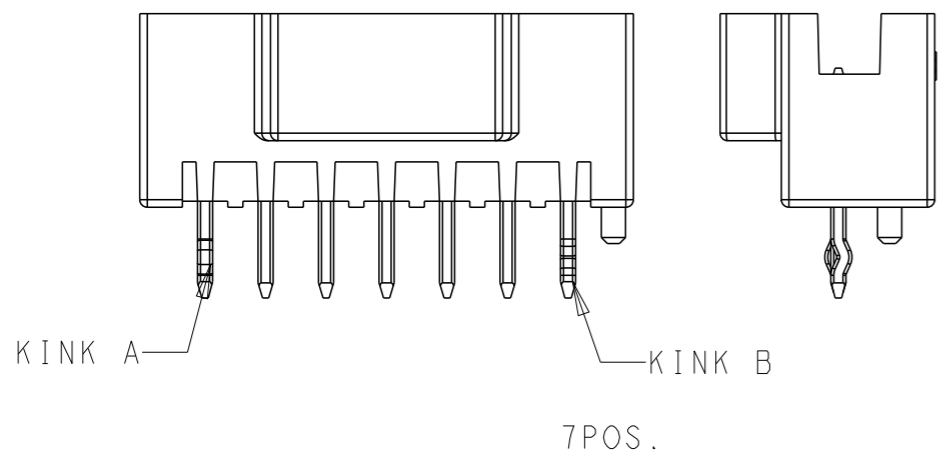
RELEASED FOR PUBLICATION

REVISIONS

© COPYRIGHT copyright_dBye-

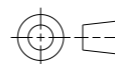
ALL RIGHTS RESERVED.

P	LTR	DESCRIPTION	DATE	DWN	APVD
		SEE SHEET 1			



THIS DRAWING IS A CONTROLLED DOCUMENT.

DIMENSIONS:
mm



TOLERANCES UNLESS OTHERWISE SPECIFIED:

- 0 PLC ±-
- 1 PLC ±0.30
- 2 PLC ±0.20
- 3 PLC ±-
- 4 PLC ±-
- ANGLES ±-

MATERIAL

FINISH

DWN OTTO CHEN 10NOV2016

CHK DANIEL 15NOV2016

APVD DANIEL 15NOV2016

PRODUCT SPEC 108-106266

APPLICATION SPEC 114-106266

WEIGHT -

CUSTOMER DRAWING



NAME HEADER ASSEMBLY, VERTICAL, SGI 2.0mm

-

SIZE CAGE CODE DRAWING NO RESTRICTED TO

A3 - C-2232826

SCALE 5:1 SHEET 4 OF 4 REV B