

THIS DRAWING IS UNPUBLISHED.

RELEASED FOR PUBLICATION

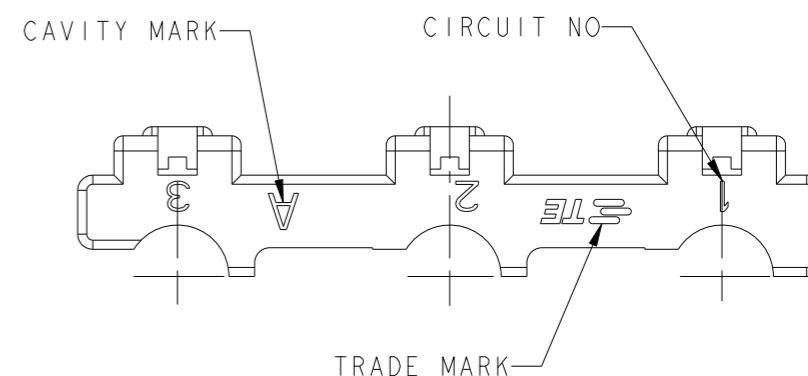
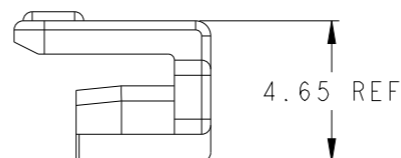
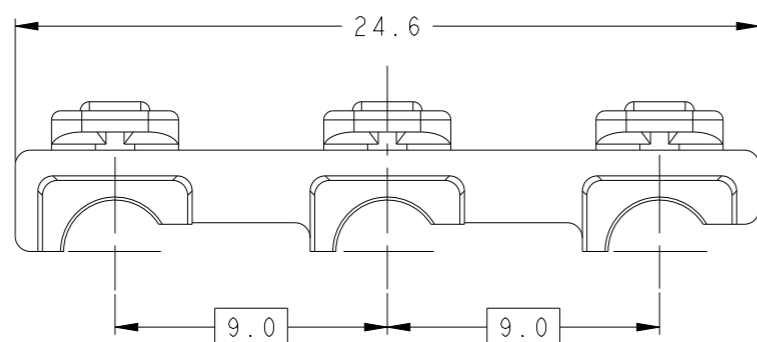
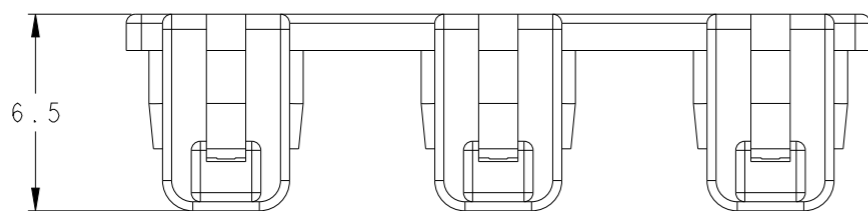
20

© COPYRIGHT 20 BY -

ALL RIGHTS RESERVED.

REVISIONS


P	LTR	DESCRIPTION	DATE	DWN	APVD
	B	REVISED PER ECR-21-105872	06 JUL 2021	SC	D. Z



NOTE,

1. APPLICABLE WIRE: UL1015 TYPE, AWG #16~#12

*-1903414-2	BLACK	2232563-1
MATING P/N	COLOR	P/N

THIS DRAWING IS A CONTROLLED DOCUMENT.		DWN SC KIM	30 JUN 2021	 TE Connectivity																					
DIMENSIONS: mm		CHK -	-																						
TOLERANCES UNLESS OTHERWISE SPECIFIED:		APVD DANIEL ZHANG	30 JUN 2021	NAME GRACE HI-CURRENT(GHC)																					
<table border="0"> <tr> <td>0 PLC</td> <td>±</td> <td>±0.3</td> </tr> <tr> <td>1 PLC</td> <td>±</td> <td>±5°</td> </tr> <tr> <td>2 PLC</td> <td>±</td> <td></td> </tr> <tr> <td>3 PLC</td> <td>±</td> <td></td> </tr> <tr> <td>4 PLC</td> <td>±</td> <td></td> </tr> <tr> <td>ANGLES</td> <td>±</td> <td></td> </tr> <tr> <td>FINISH</td> <td>-</td> <td></td> </tr> </table>		0 PLC	±	±0.3	1 PLC	±	±5°	2 PLC	±		3 PLC	±		4 PLC	±		ANGLES	±		FINISH	-		PRODUCT SPEC 108-78357	9.0mm 3POS TPA HOUSING	
0 PLC	±	±0.3																							
1 PLC	±	±5°																							
2 PLC	±																								
3 PLC	±																								
4 PLC	±																								
ANGLES	±																								
FINISH	-																								
MATERIAL PA66, UL94V-0		APPLICATION SPEC 114-5356	WEIGHT -	SIZE A3	CAGE CODE 00779																				
		CUSTOMER DRAWING		DRAWING NO C-2232563	RESTRICTED TO -																				
		SCALE 4:1	SHEET 1 OF 2	REV B																					

THIS DRAWING IS UNPUBLISHED.

RELEASED FOR PUBLICATION

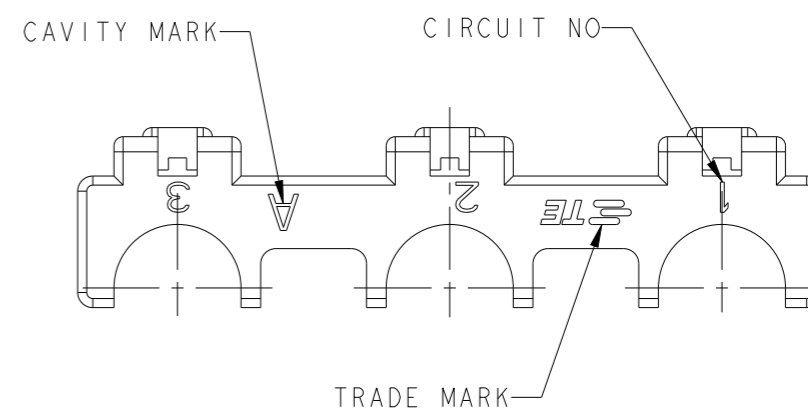
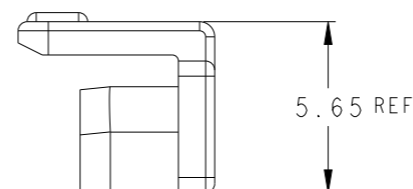
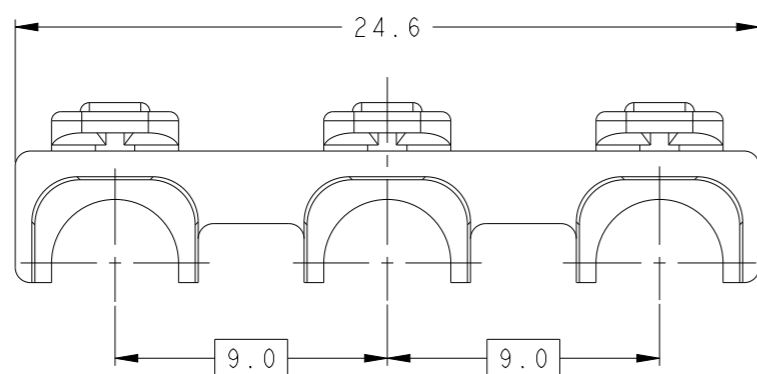
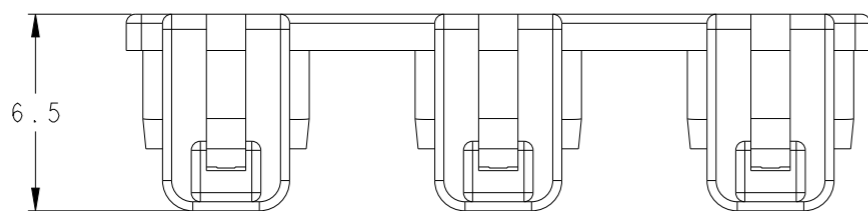
20

© COPYRIGHT 20 BY -

ALL RIGHTS RESERVED.

REVISIONS



P	LTR	DESCRIPTION	DATE	DWN	APVD
		SEE SHEET 1			



NOTE,

1. APPLICABLE WIRE: UL1015 TYPE, AWG #16~#12

*-1903414-2	BLACK	I-2232563-1
MATING P/N	COLOR	P/N

THIS DRAWING IS A CONTROLLED DOCUMENT.		DWN SC KIM 26OCT2016	 TE Connectivity			
DIMENSIONS: mm		CHK BH CHO 26OCT2016				
		APVD BW KANG 26OCT2016				
TOLERANCES UNLESS OTHERWISE SPECIFIED: 0 PLC ± ±0.3 1 PLC ± ±5° 2 PLC ± ± 3 PLC ± ± 4 PLC ± ± ANGLES ± ± FINISH -		PRODUCT SPEC 108-78357				
MATERIAL PA66, UL94V-0		APPLICATION SPEC 114-5356	NAME GRACE HI-CURRENT(GHC) 9.0mm 3POS TPA HOUSING			
		WEIGHT -	SIZE A3	CAGE CODE 00779	DRAWING NO C-2232563	RESTRICTED TO -
		CUSTOMER DRAWING	SCALE 4:1	SHEET 2 OF 2	REV B	