

4

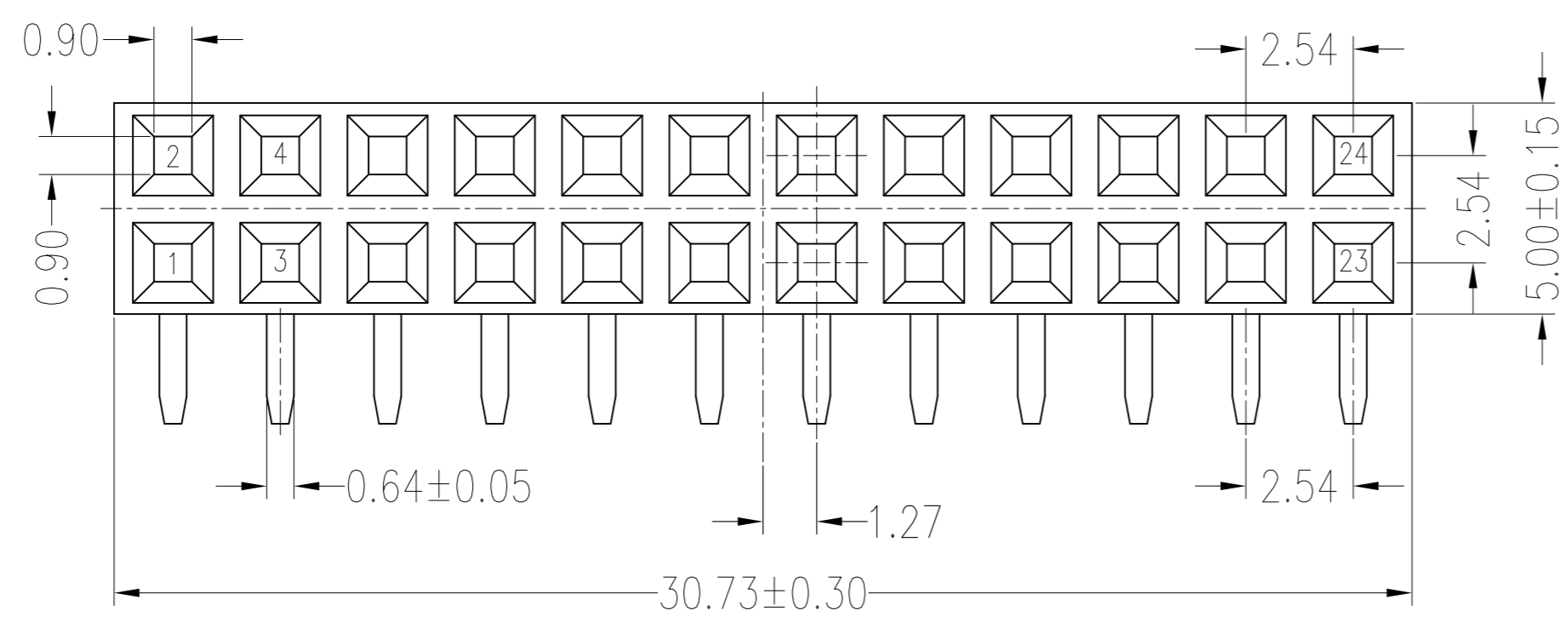
3

2

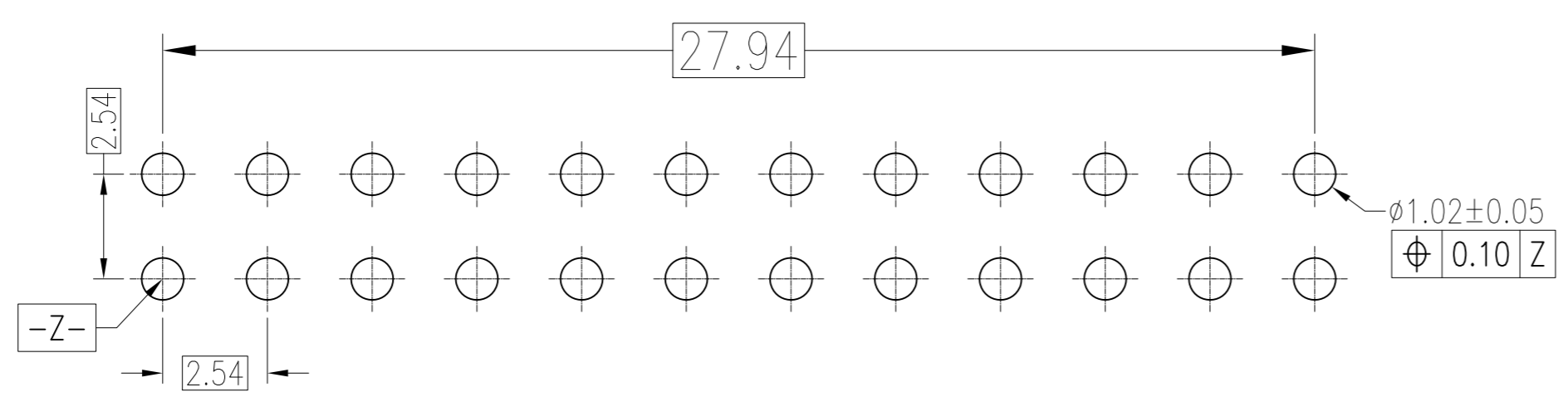
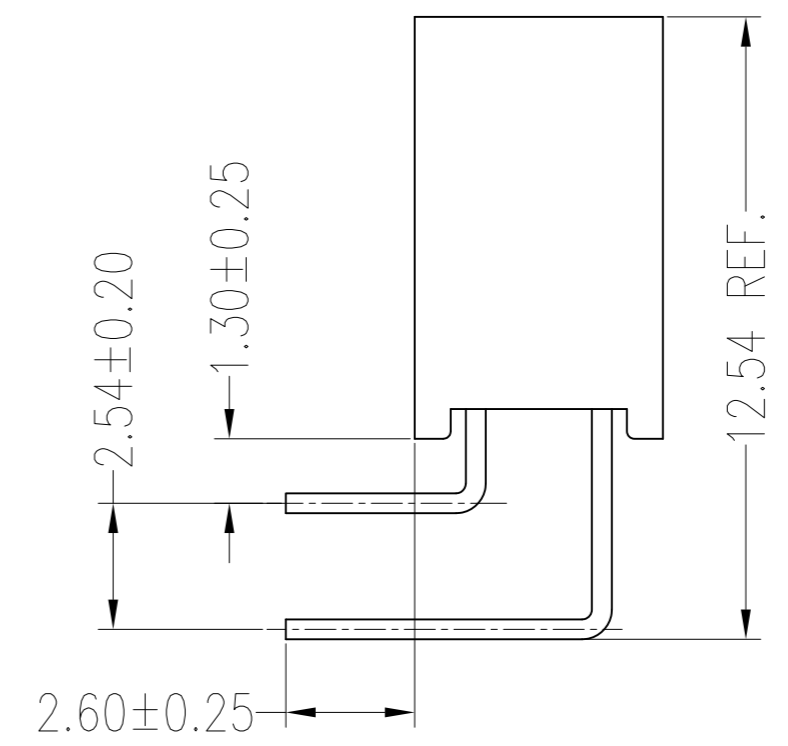
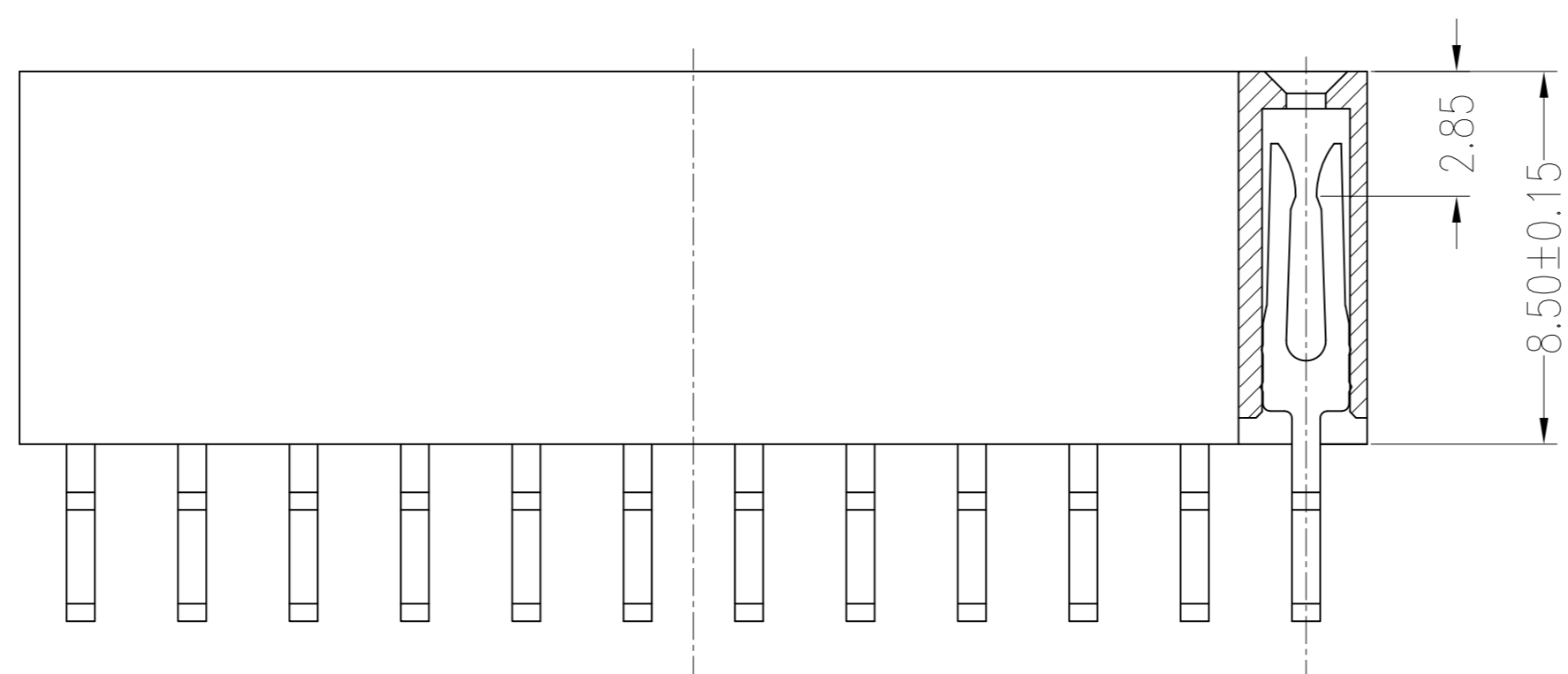
1

THIS DRAWING IS UNPUBLISHED. RELEASED FOR PUBLICATION
 © COPYRIGHT - by - ALL RIGHTS RESERVED.

LOC		DIST		REVISIONS			
P	LTR	DESCRIPTION	DATE	DWN	APVD		
-	-	-	-	-	-		



NOTES:
 Rated Current:3.0AMP.
 Contact Resistance:20mΩ Max.
 Withstand Voltage:1000V AC/DC
 Insulation Resistance:1000MΩ Min.
 Operation Temperature:-40°C to +105°C
 Contact Material: Copper Alloy
 Contact Plating: Gold Flash all over Nickel
 Insulator Material: Polyester UL94V-0 Black



Recommended P.C.B Layout

PART NUMBER AS SHOWN: 2232518-2

None	2232518-2
5,6,7,8,9,10,15,16,17,18,19,20	2232518-1
OMITTED PINS	PART NUMBER

THIS DRAWING IS A CONTROLLED DOCUMENT.		DWN ETHAN CHENG 05-DEC-13		
DIMENSIONS: mm		CHK KOBBY ZHAO 06-DEC-13		
TOLERANCES UNLESS OTHERWISE SPECIFIED:		APVD XU XIANG 07-DEC-13	NAME	
0 PLC ± -		PRODUCT SPEC	AMPMODU, REC HDR, RIGHT ANGLE	
1 PLC ± -		108-137777	2.54PITCH,DOU ROW, 24POS,THROUGH HOLE	
2 PLC ± ±0.25		APPLICATION SPEC	SIZE	CAGE CODE
3 PLC ± -			A2	00779
4 PLC ± -			DRAWING NO	RESTRICTED TO
ANGLES ± -			2232518	-
FINISH		WEIGHT	SCALE	SHEET
SEE NOTES		-	3:1	1 of 1
		CUSTOMER DRAWING	REV	B