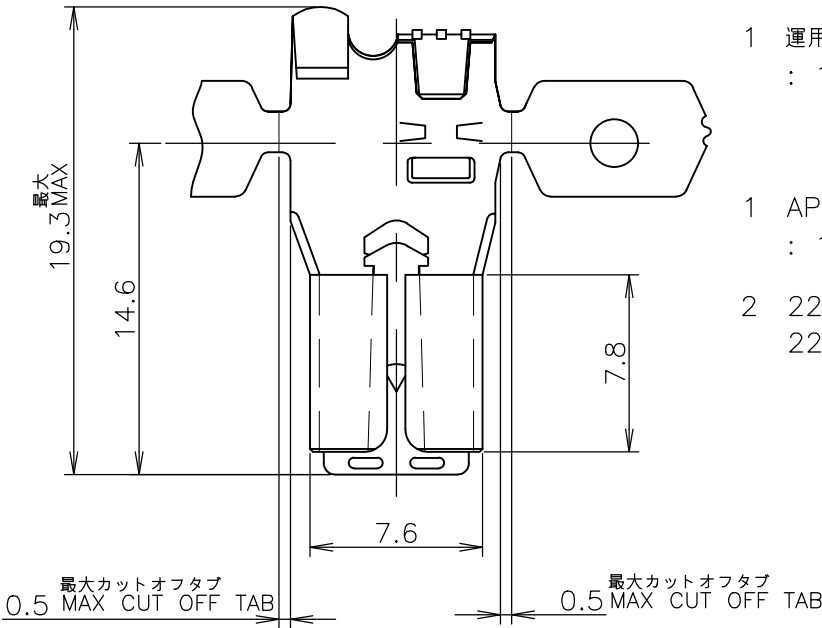


REVISIONS

変更

P	LTR	DESCRIPTION	DATE	DWN	APVD
	C2	ECR-18-014558	25SEP2018	KYLE	TIM

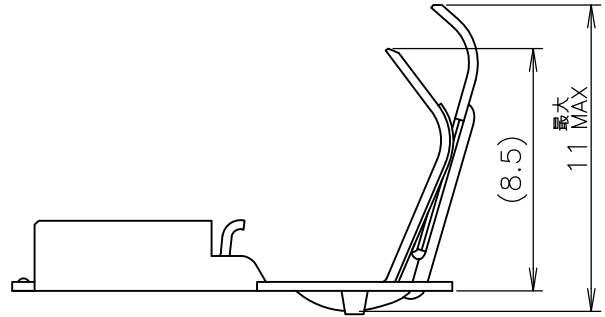
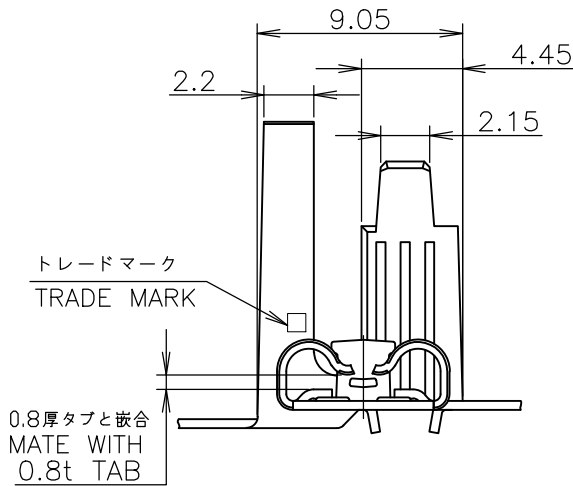
-1, -2; AS SHOWN



1 運用スリーブ型番
: 1717268-X, 176497-X, 2013799-X

1 APPLICABLE SLEEVE P/N
: 1717268-X, 176497-X, 2013799-X

2 2232343-1: CONE REEL PACKAGE
2232343-2: FLAT REEL PACKAGE



	PRE TIN BRASS 0.4t 錫めっき付 黄銅 0.4t	2232343-2
	PRE TIN BRASS 0.4t 錫めっき付 黄銅 0.4t	2232343-1
LOOSE PIECE NO. ばら状端子型番	MATERIAL 材料	P/N 型番

WIRE RANGE 抱合電線断面積	AWG #18-#12 0.75~3.37 mm ²	INSULATION DIA 被覆外径	2.8~4.1 mm ϕ
-----------------------	--	------------------------	-------------------

DIMENSIONS:
単位: 耗
mm

DWN B.P 06MAR2013

MATERIAL 材料 表参照 SEE TABLE

FINISH 仕上

TOLERANCES UNLESS OTHERWISE SPECIFIED:
一般公差

CHK F.M 06MAR2013

APVD YH.M 06MAR2013



TE Connectivity Ltd.

PRODUCT SPEC
製品規格
108-5254

NAME 名称
250 SERIES FLAG POSITIVE LOCK EX
250 シリーズ 旗型ポジティブロックEX

APPLICATION SPEC
取付適用規格
114-5122

SIZE CAGE CODE DRAWING NO 番号
A4 00779 C-2232343

WEIGHT 0.000000

CUSTOMER DRAWING

SCALE 尺度 NTS SHEET 1 OF 1 REV C2

RELEASED FOR PUBLICATION NOV , 2013.

ALL RIGHTS RESERVED.

THIS DRAWING IS UNPUBLISHED.

© COPYRIGHT 2007 By -

0 PLC	±
1 PLC	± 10 ≥ : ±0.2
2 PLC	± 30 ≥ > 10: ±0.25
3 PLC	± 100 ≥ > 30: ±0.3
4 PLC	±
ANGLES	± 3°

