

4

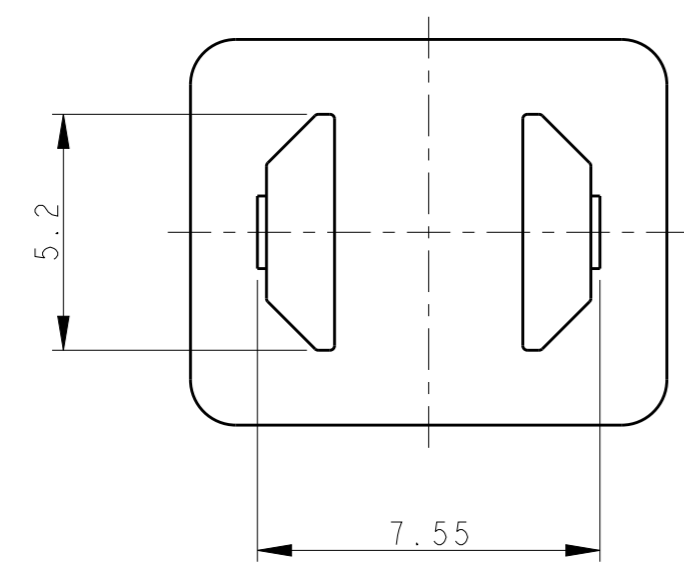
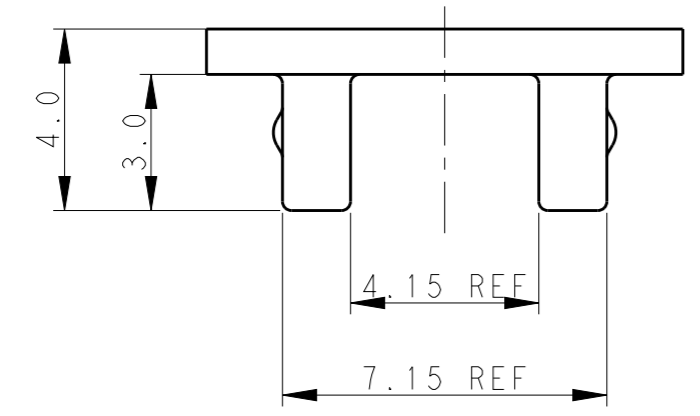
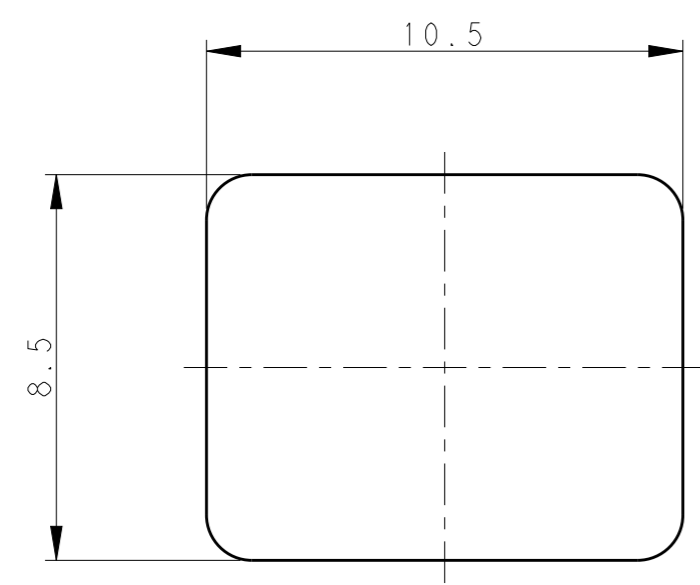
3

2

1

THIS DRAWING IS UNPUBLISHED. RELEASED FOR PUBLICATION 20  
© COPYRIGHT 20 BY - ALL RIGHTS RESERVED.


REVISIONS					
P	LTR	DESCRIPTION	DATE	DWN	APVD
	A	INITIAL RELEASE	07SEP2017	B.G.	C.W.
	B	ECR-17-013318	11SEP2017	B.G.	C.W.



NOTES:

- 1 MATERIAL: PA46, COLOR: BLACK, UL94-V0
- 2 PART CAN NOT BE USED FOR REFLOW PROCESS  
RECOMMENDED TO FIT THE CAP AFTER SOLDERING

SELLABLE WITH PACKAGE	2232309-2
INTERNAL USE	2232309-1
DESCRIPTION	PN

THIS DRAWING IS A CONTROLLED DOCUMENT.		DWN BO GAO 07SEP2017	 TE Connectivity				
DIMENSIONS: mm		CHK CHRIS WANG			NAME INDUSTIAL MINI I/O CONN. COVER FOR VERTICAL		
TOLERANCES UNLESS OTHERWISE SPECIFIED:		APVD CHRIS WANG					
0 PLC ±- 1 PLC ±0.5 2 PLC ±0.5 3 PLC ±- 4 PLC ±- ANGLES ±-		PRODUCT SPEC -					
MATERIAL SEE NOTES		FINISH -	APPLICATION SPEC -	SIZE A3	CAGE CODE 00779	DRAWING NO C-2232309	RESTRICTED TO -
CUSTOMER DRAWING			SCALE 6:1	SHEET 1 OF 1	REV B		