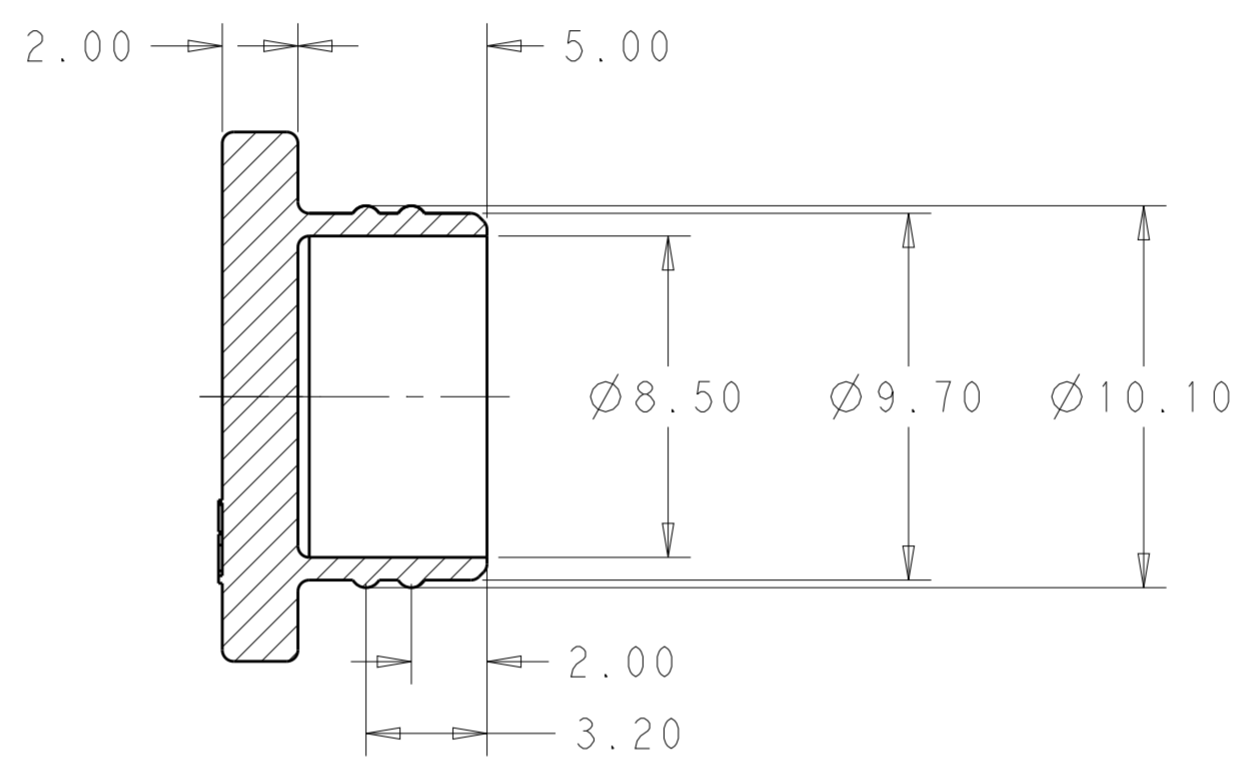
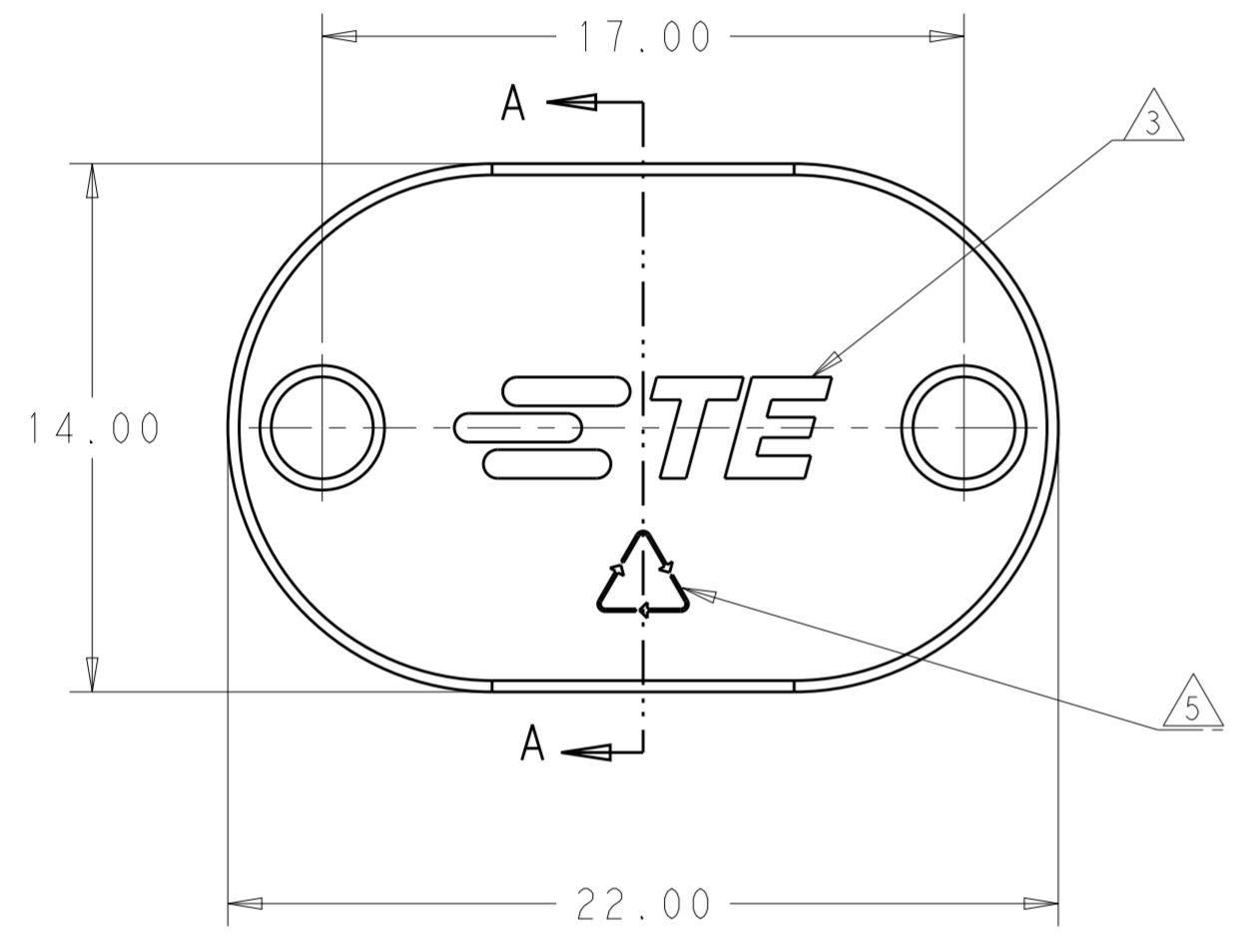
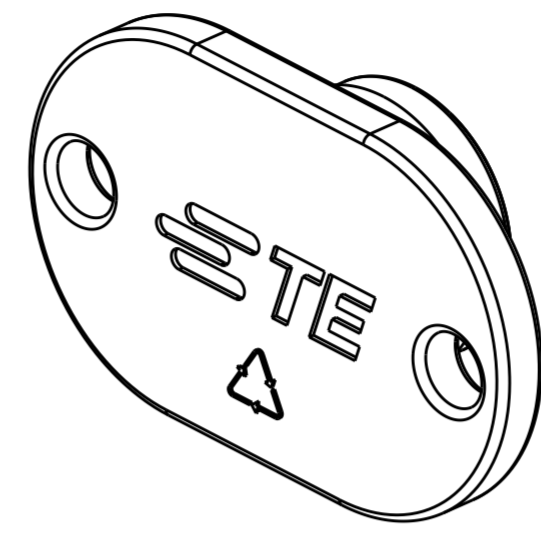
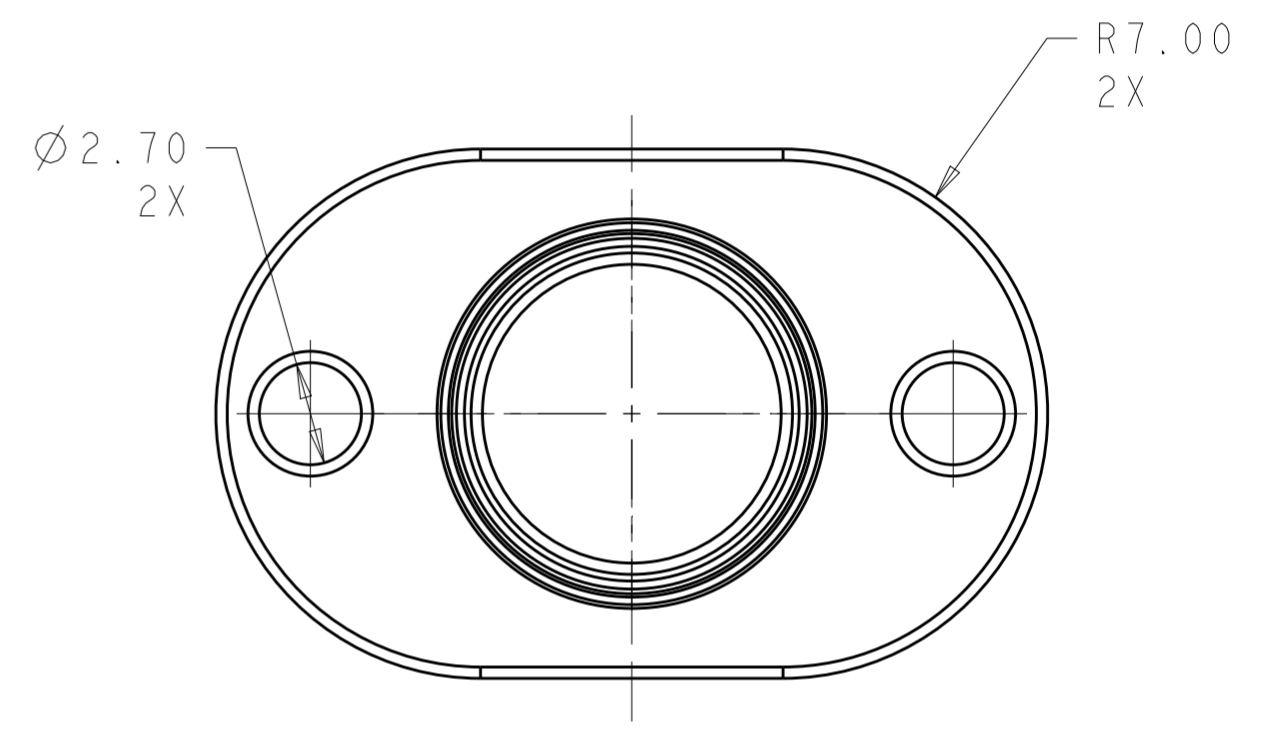


THIS DRAWING IS UNPUBLISHED. RELEASED FOR PUBLICATION 20
 © COPYRIGHT 20 BY - ALL RIGHTS RESERVED.

LOC	DIST	REVISIONS					
		P	LTR	DESCRIPTION	DATE	DWN	APVD
1	-	A		initial	27NOV2012	N.W	P.Y
		A1		ADD RECYCLE MARK	15MAY2016	LW	PY



SECTION A-A



- NOTES
- ① MATERIAL: HDPE, BLUE 286C
 - ② ALL UNSPECIFICATION RADII R0.30.
 - ③ TE LOGO PER TE SPEC TEC-202-36 PN 1621426-8. DEPTH 0.20MM.
 - ④ COMPLIES WITH DIRECTIVE 2002/95/EC (ROSH).
 - ⑤ RECYCLE MARK, RAISED 0.1MM

P/N 2232228-1

THIS DRAWING IS A CONTROLLED DOCUMENT.		DWN Ning Wang 18APR2013	STE TE Connectivity	
		CHK Daniel Tao 18APR2013		
DIMENSIONS: mm		APVD Peter Yin 18APR2013	NAME Dust cap for PV4 pin connector	
TOLERANCES UNLESS OTHERWISE SPECIFIED:		PRODUCT SPEC -	SIZE CAGE CODE DRAWING NO RESTRICTED TO	
0 PLC ±-		APPLICATION SPEC -	A200779 C-2232228 -	
1 PLC ±0.30		WEIGHT 0.55g	SCALE 4:1 SHEET 1 OF 1 REV A1	
2 PLC ±0.15		Customer Drawing		
3 PLC ±-				
4 PLC ±-				
ANGLES ±-				
FINISH ±-				