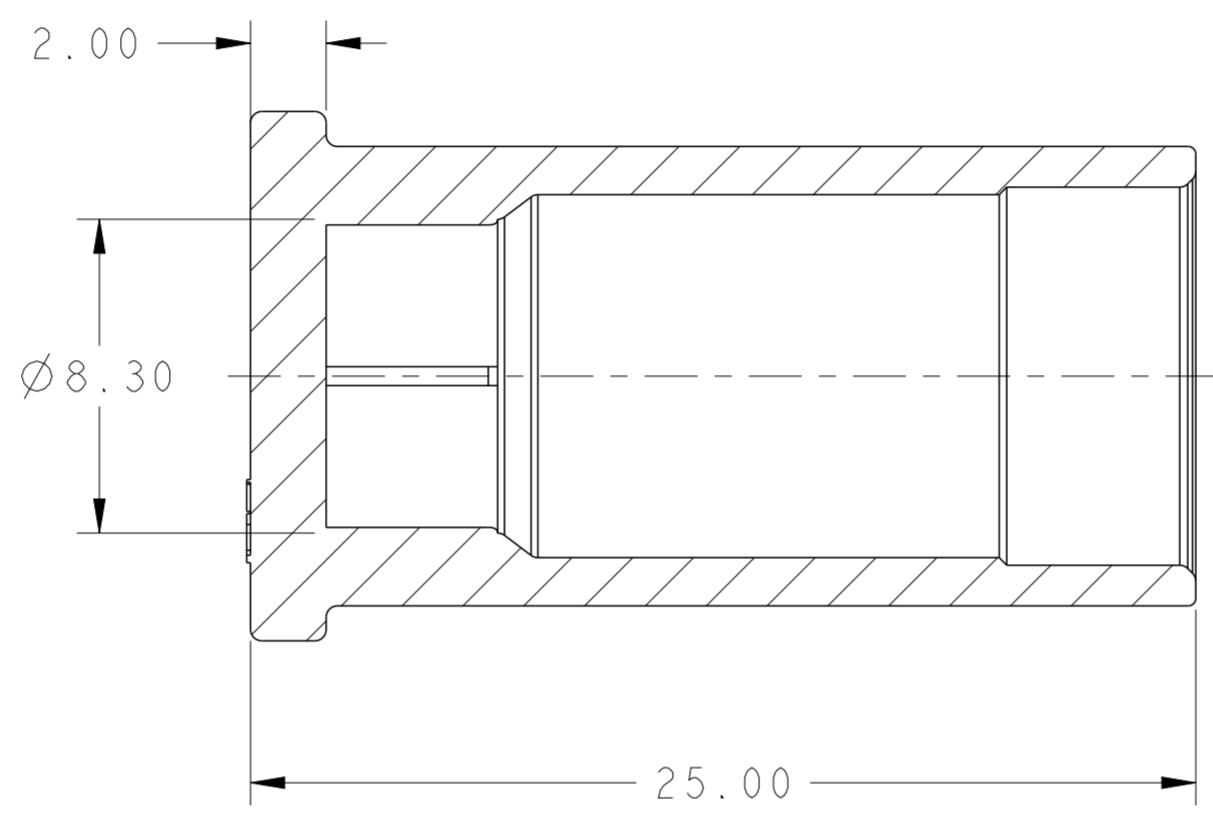
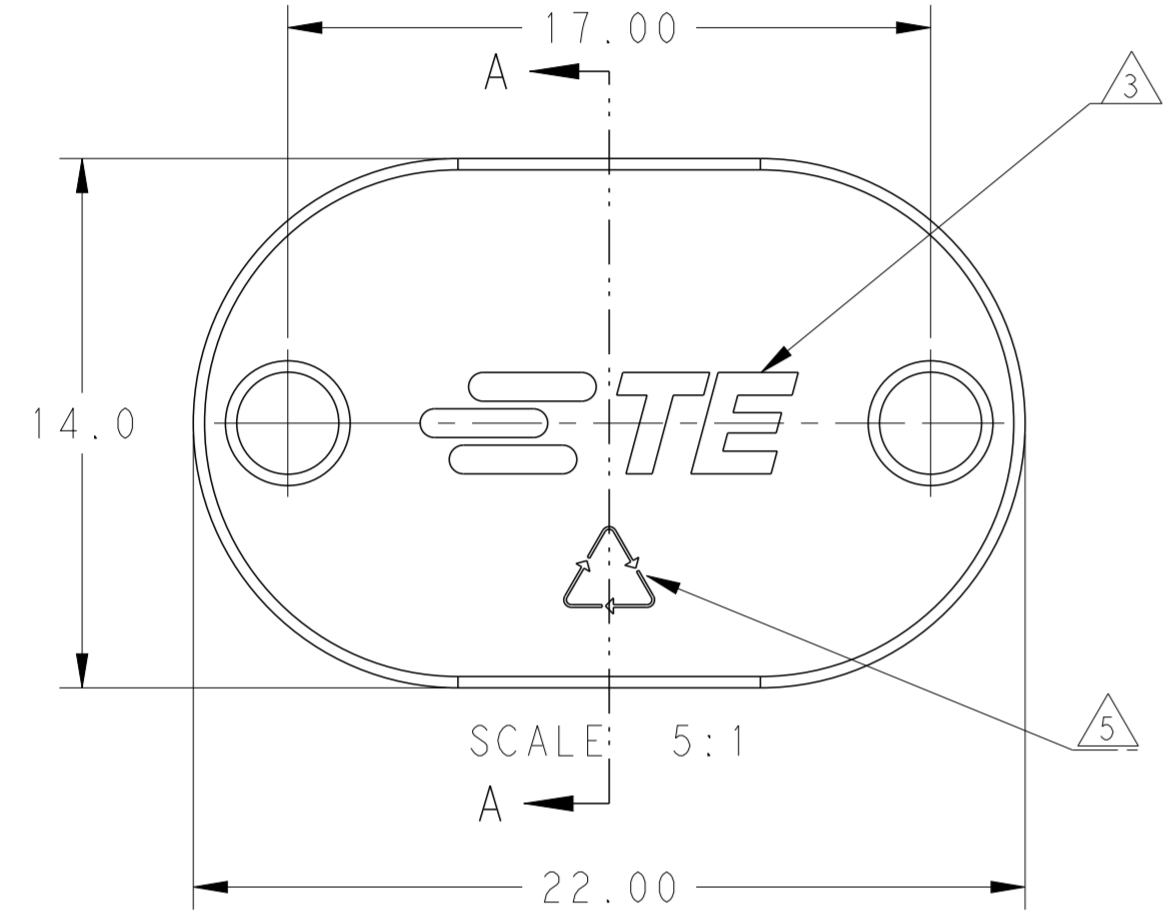
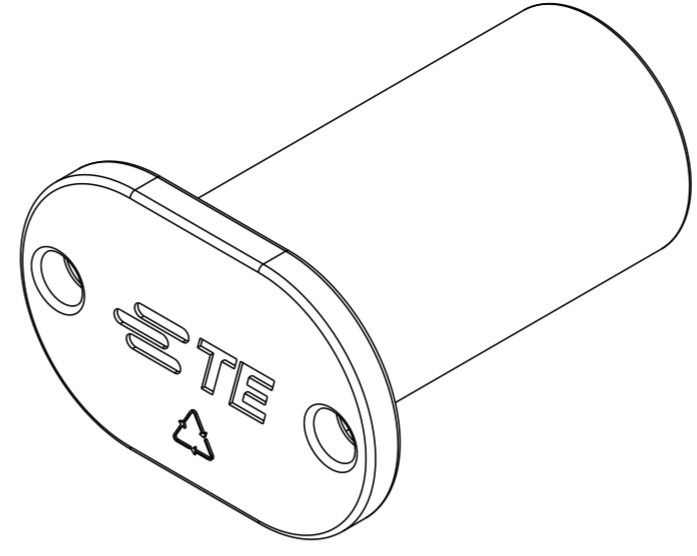
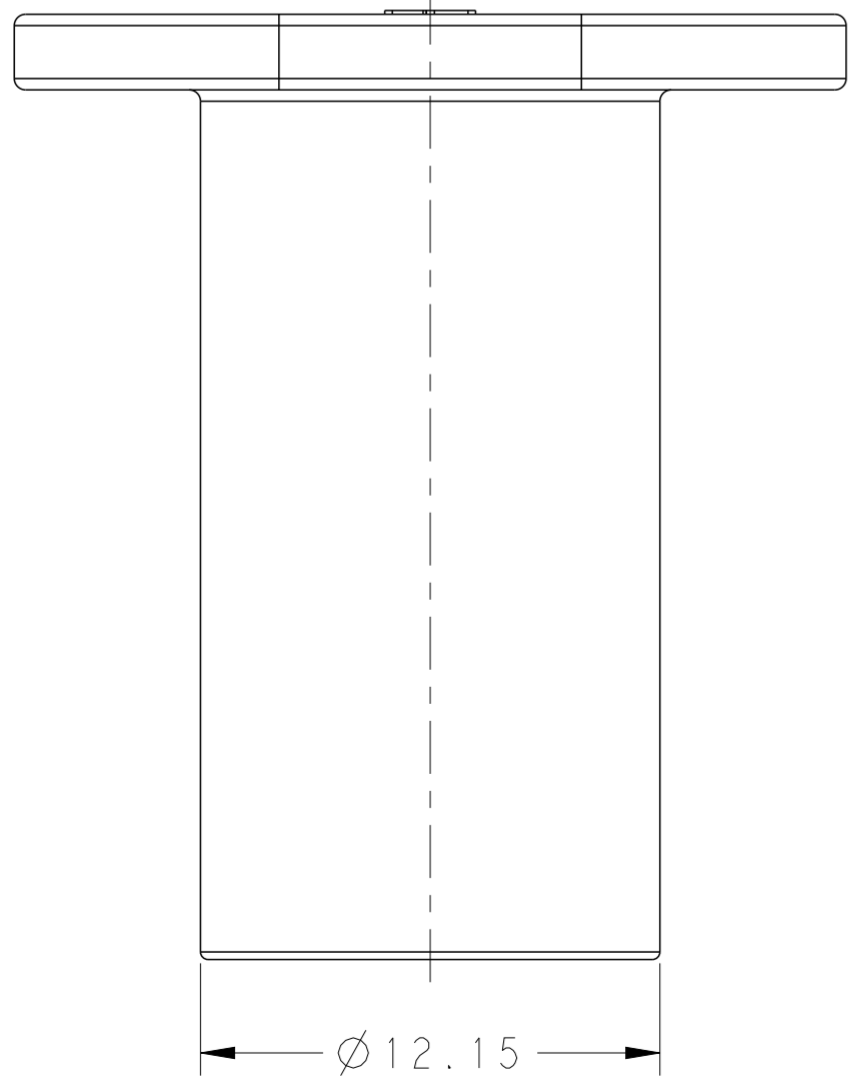
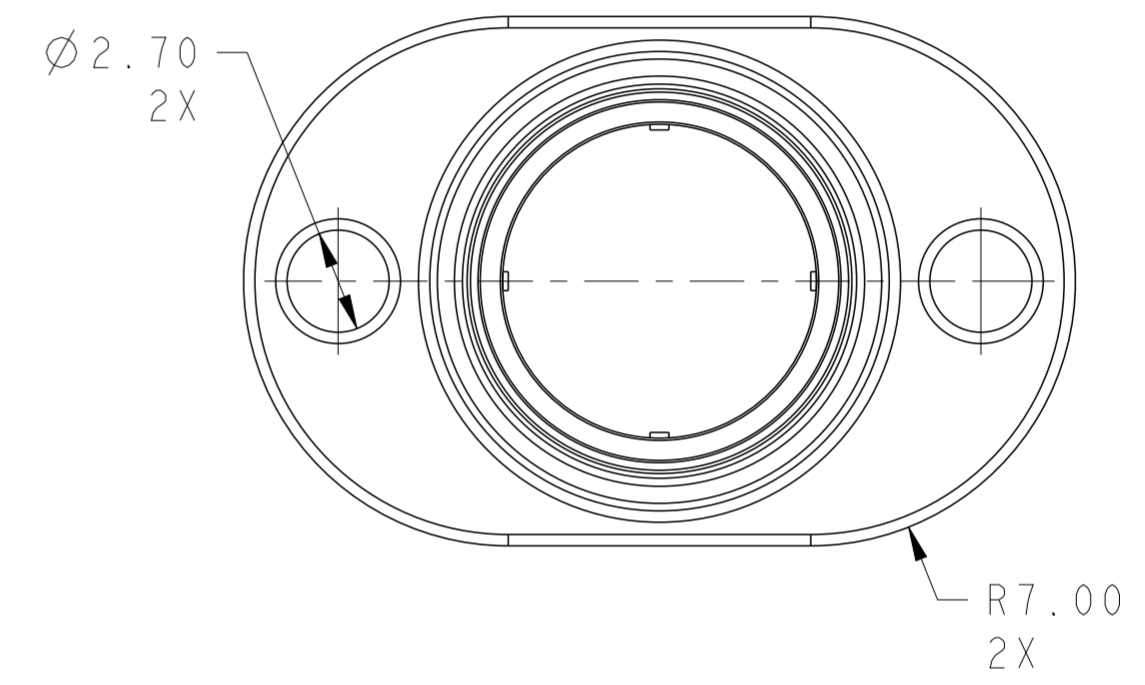


THIS DRAWING IS UNPUBLISHED. RELEASED FOR PUBLICATION 20  
 © COPYRIGHT 20 BY - ALL RIGHTS RESERVED.

LOC		DIST		REVISIONS			
P	LTR	DESCRIPTION		DATE	DWN	APVD	
A		initial		19NOV	N.W	P.Y	
B		ECR-14-009999		19MAY2014	LW	PY	
B1		ADD RECYCLE MARK		15MAY2016	LW	PY	



SECTION A-A



- NOTES
- ① MATERIAL: HDPE, BLUE 286C
  - ② ALL UNSPECIFIED RADII R0.30.
  - ③ TE LOGO PER TE SPEC TEC-202-36 PN 1621426-8. DEPTH 0.20MM.
  - ④ COMPLIES WITH DIRECTIVE 2002/95/EC (ROSH).
  - ⑤ RECYCLE MARK, RAISED 0.1MM

P/N 2232227-1

THIS DRAWING IS A CONTROLLED DOCUMENT.		DWN	18APR2013	TE Connectivity	
DIMENSIONS:		CHK	18APR2013		
mm		APVD	18APR2013		
		NAME	Peter Yin		
TOLERANCES UNLESS OTHERWISE SPECIFIED:		PRODUCT SPEC		NAME	
0 PLC	±	-		Dust cap for PV4 socket connector	
1 PLC	±0.30	-		-	
2 PLC	±0.15	-		-	
3 PLC	±	-		-	
4 PLC	±	-		-	
ANGLES	±	-		-	
FINISH	±	-		-	
MATERIAL	-	WEIGHT		SIZE	RESTRICTED TO
-	-	1.40g		A200779	-
CUSTOMER DRAWING		SCALE		DRAWING NO	
-		3:1		C-2232227	
		SHEET		1	OF 1
		REV		B1	