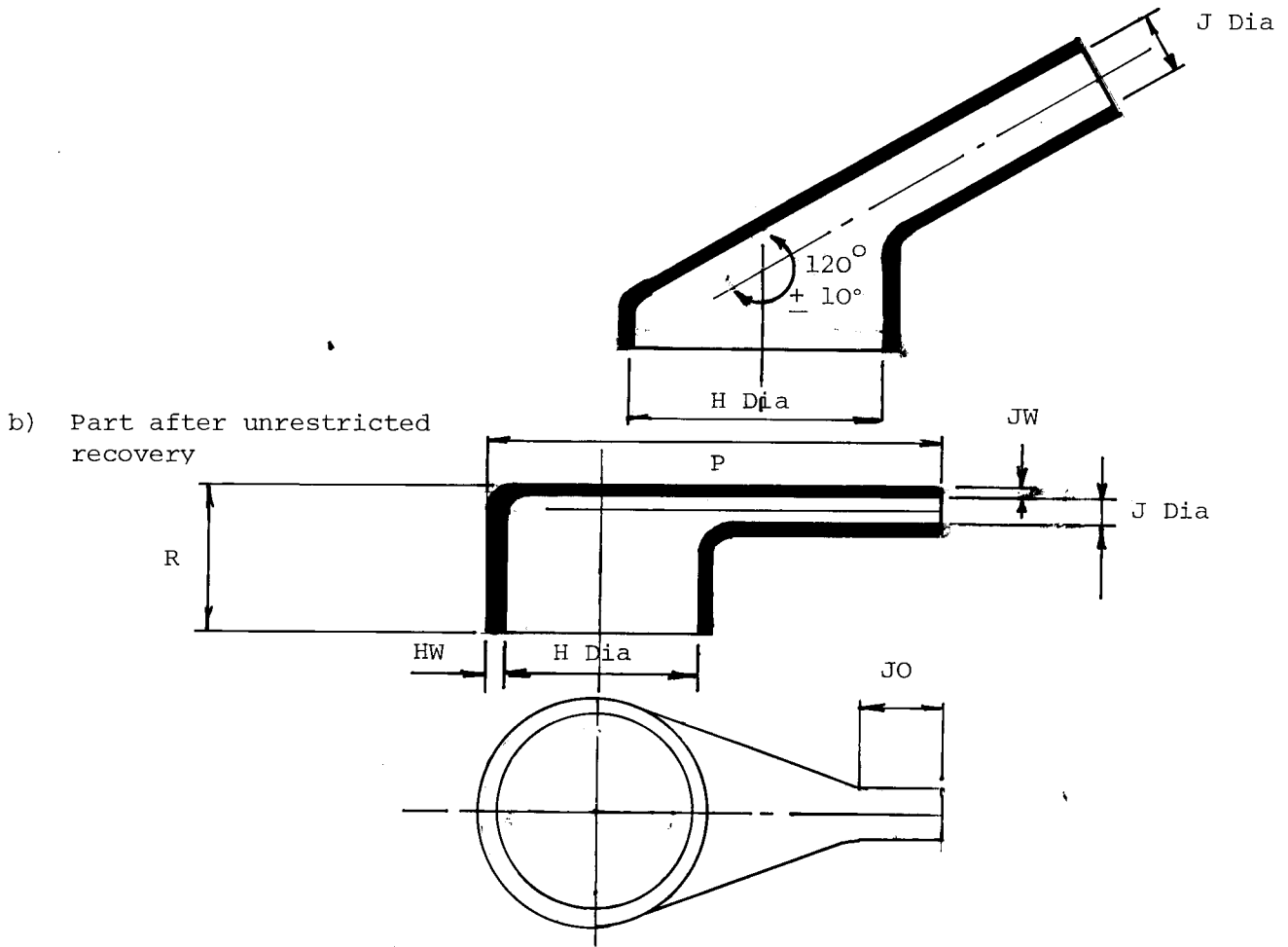


a) Part as supplied

222D953-25-G05



Dimensions in millimetres

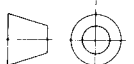
Part No.	H		J		P	R	JO	HW	JW
	min a	max b	min a	max b	+ 10% b	Ref b	+ 10% b	+ 20% b	+ 20% b
222D953- 25-G05	34	26.0	10.0	3.1	52	15.5	7	1.8	1.1

Drawn S.Dixon Checked *[Signature]* Issue 1 Date August '84

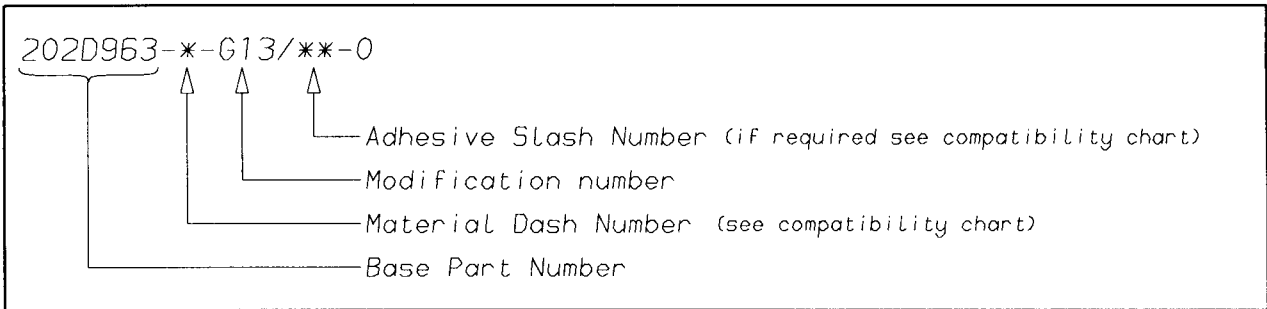
Approval

Design *[Signature]* MKTG *[Signature]* O.C. *[Signature]*

Conforms to ISO Recommendations  
3rd Angle Projection  
Not to scale



## Ordering Information



## COMPATIBILITY CHART

MATERIAL DASH NUMBER	MATERIAL DESCRIPTION	COATING SLASH NUMBER
-3	POLYOLEFIN, SEMI-RIGID	/42, /86
-4	POLYOLEFIN, FLEXIBLE	/42, /86
-25	ELASTOMER, FLUID RESISTANT	/86, /225

AS SUPPLIED DIMENSIONS ARE FOR UNCOATED PARTS,  
WHEN COATING IS ADDED, ENTRY DIAMETERS WILL REDUCE BY 1.5mm MAX.