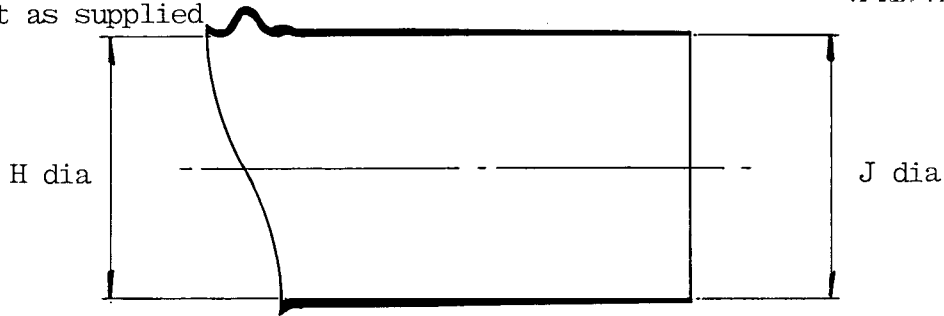
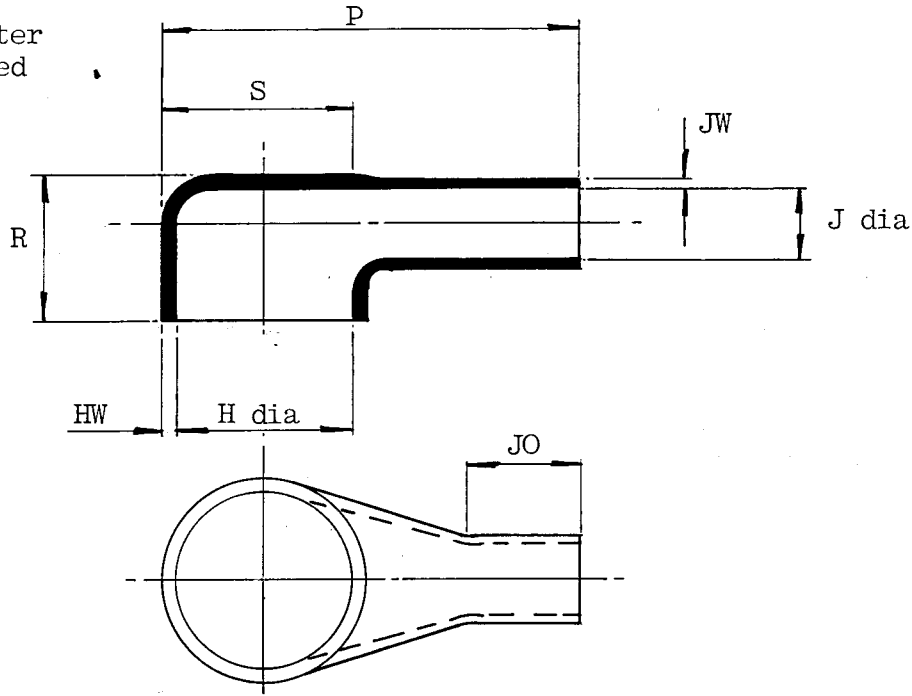


222D242-25-G06

a. Part as supplied



b. Part after
unrestricted
recovery.



Dimensions in millimetres

Part No.	H		J		P	R	S	JO	HW	JW
	min a	max b	min a	max b	+10% b	Ref b	Ref b	+10% b	+20% b	+20% b
222D242 -25-G06	34	22.9	34	9.7	60	19	23	20	1.8	1.1

Drawn G. Evans Checked *[Signature]* Issue 1 Date Feb '85

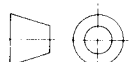
Approval

Design *[Signature]*

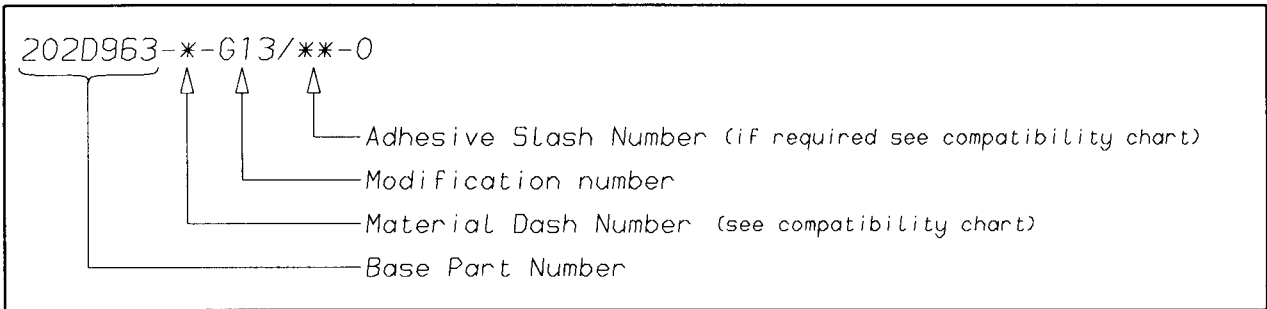
MKTG *[Signature]*

Q.C. *[Signature]*

Conforms to ISO Recommendations
3rd Angle Projection
Not to scale



Ordering Information



COMPATIBILITY CHART

MATERIAL DASH NUMBER	MATERIAL DESCRIPTION	COATING SLASH NUMBER
-3	POLYOLEFIN, SEMI-RIGID	/42, /86
-4	POLYOLEFIN, FLEXIBLE	/42, /86
-25	ELASTOMER, FLUID RESISTANT	/86, /225

AS SUPPLIED DIMENSIONS ARE FOR UNCOATED PARTS,
WHEN COATING IS ADDED, ENTRY DIAMETERS WILL REDUCE BY 1.5mm MAX.