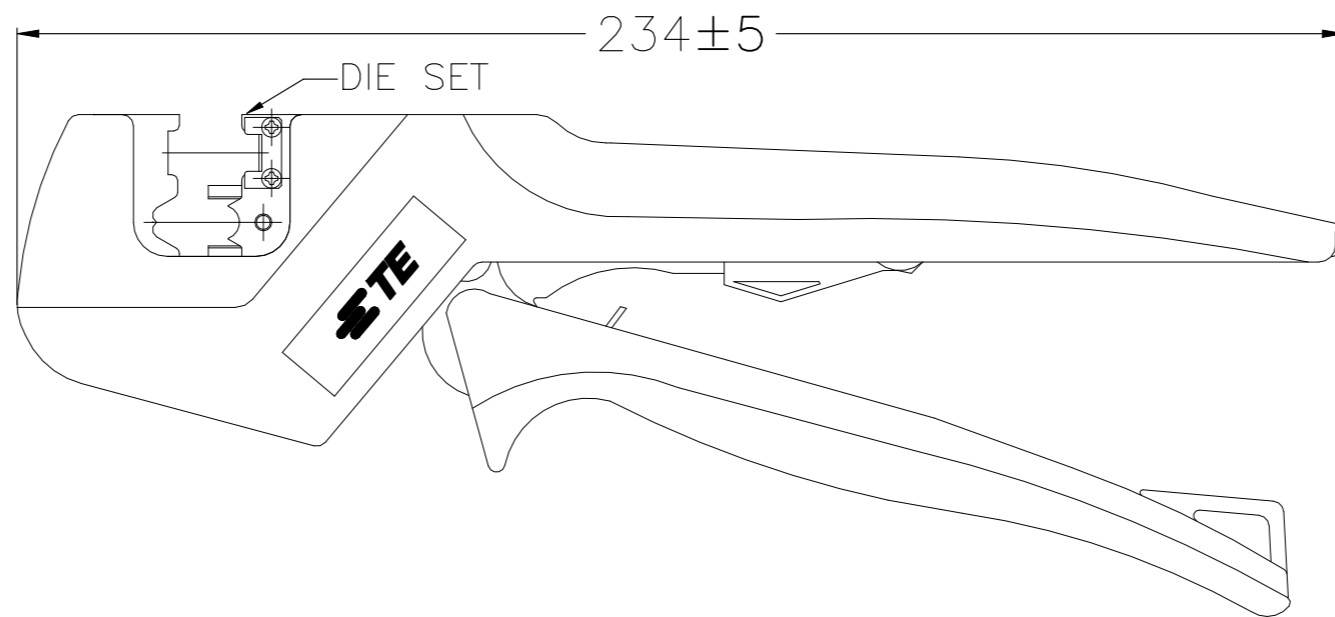
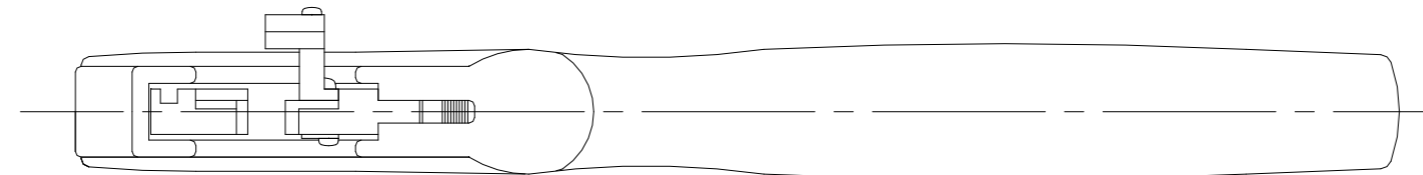
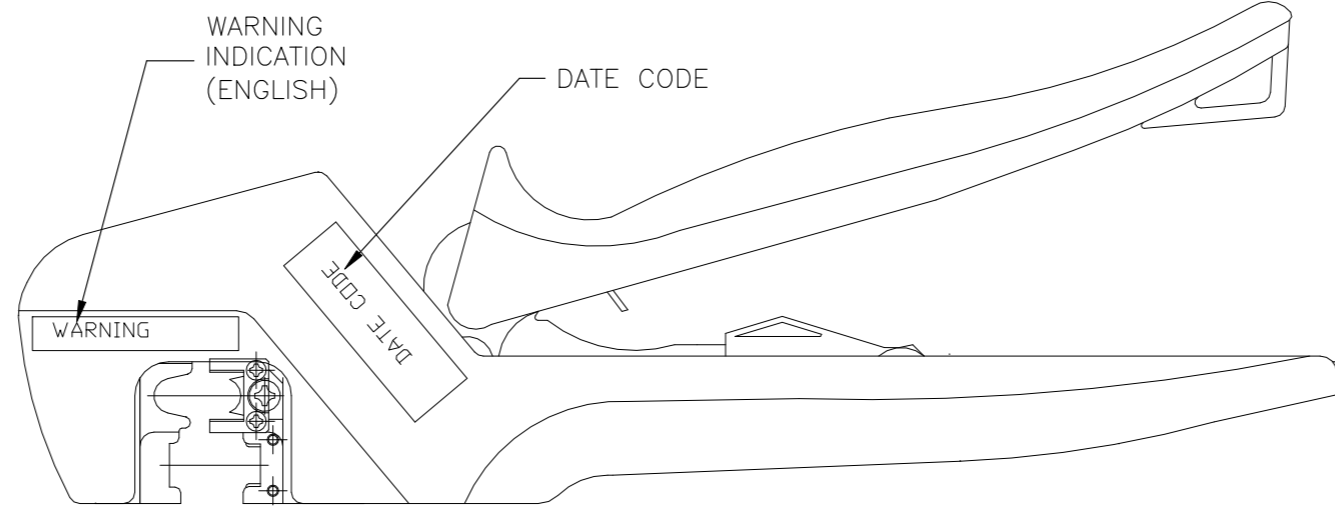
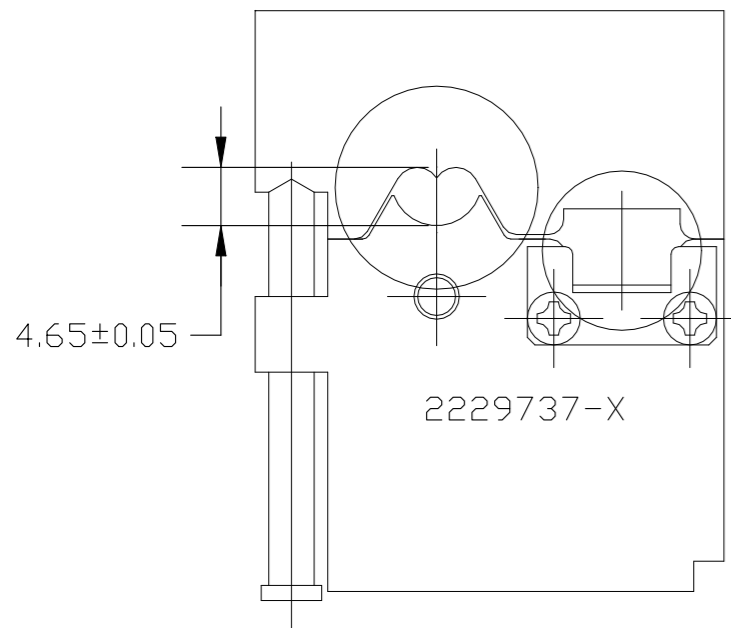


REVISIONS


P	LTR	DESCRIPTION	DATE	DWN	APVD
	A2	2229737-1 SUPERSEDED	25MAY2022	SS	KP



DIMENSIONS OF CLOSED DIE



2229737-2
 SUPERSEDED 2229737-1
 TEPN

THIS DRAWING IS A CONTROLLED DOCUMENT.		DWN S.SHARMA 10DEC2019	 TE Connectivity				
DIMENSIONS: mm		CHK J.DE BRUIJN 10DEC2019					
TOLERANCES UNLESS OTHERWISE SPECIFIED:		APVD J.DE BRUIJN 10DEC2019	NAME INDUSTRIAL MINI I/O PIERCING TYPE HAND TOOL				
0 PLC ± - 1 PLC ± - 2 PLC ± - 3 PLC ± - 4 PLC ± - ANGLES ± -		PRODUCT SPEC -	APPLICATION SPEC -				
MATERIAL -		FINISH -	WEIGHT 460 GR	SIZE A3	CAGE CODE 00779	DRAWING NO C-2229737	RESTRICTED TO -
CUSTOMER DRAWING			SCALE NTS	SHEET 1 OF 1	REV A2		