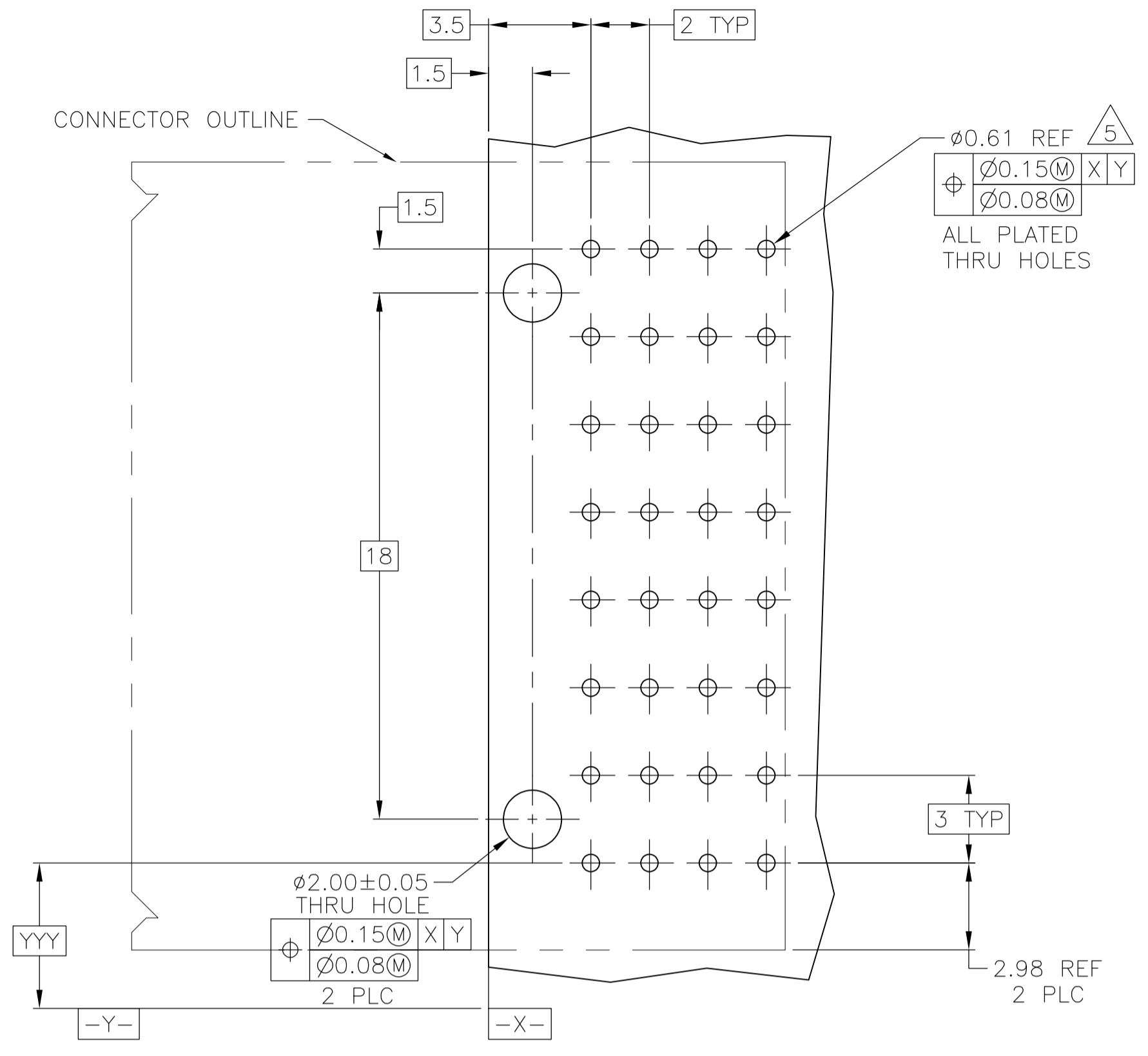
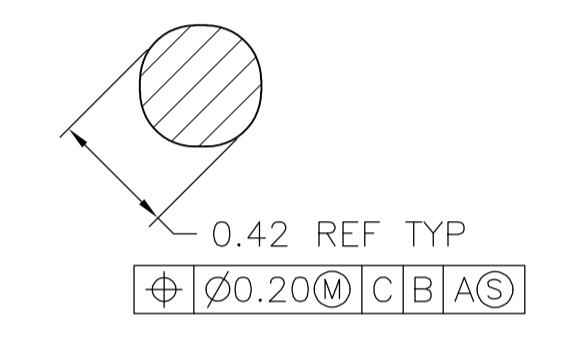
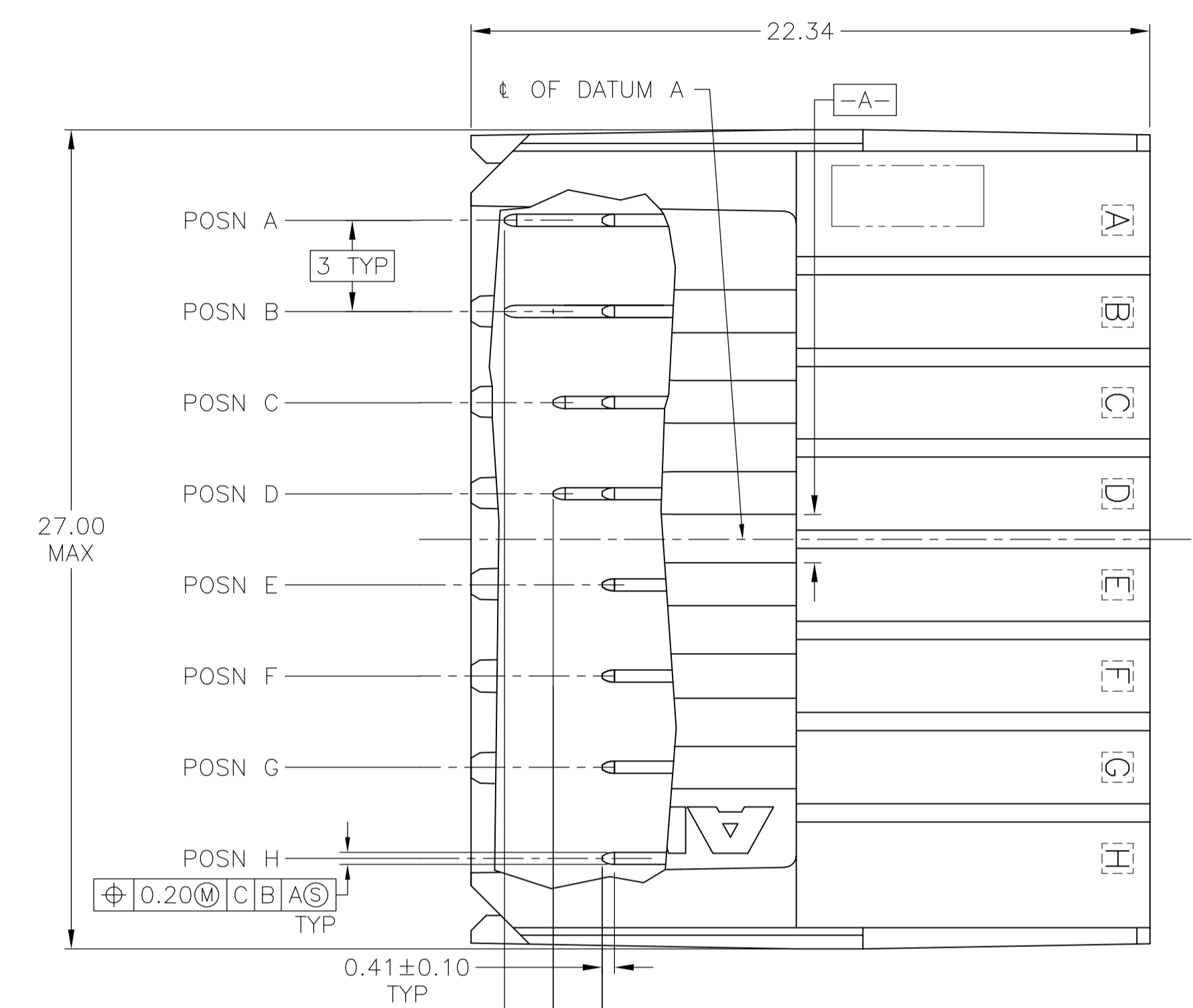


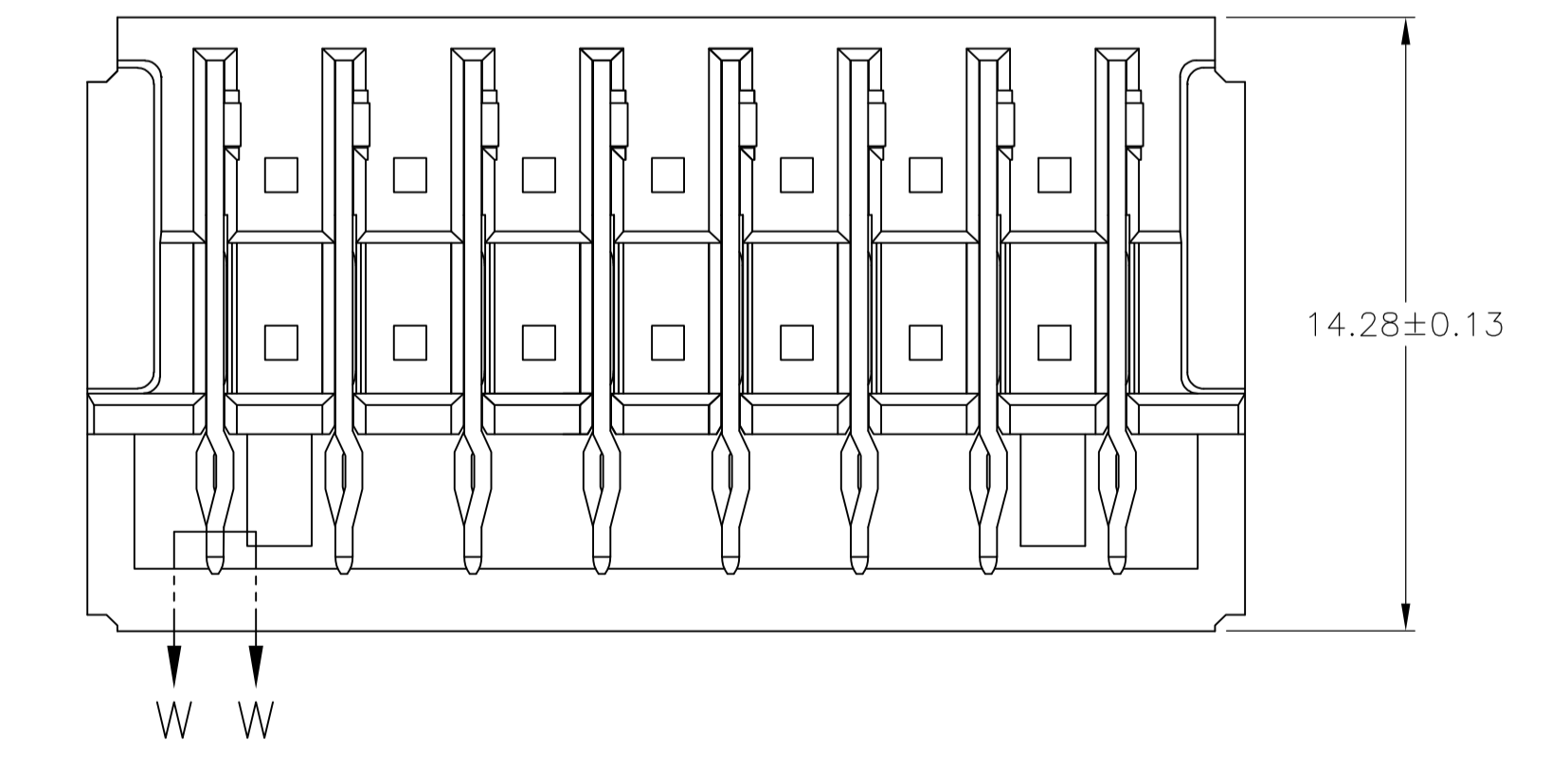
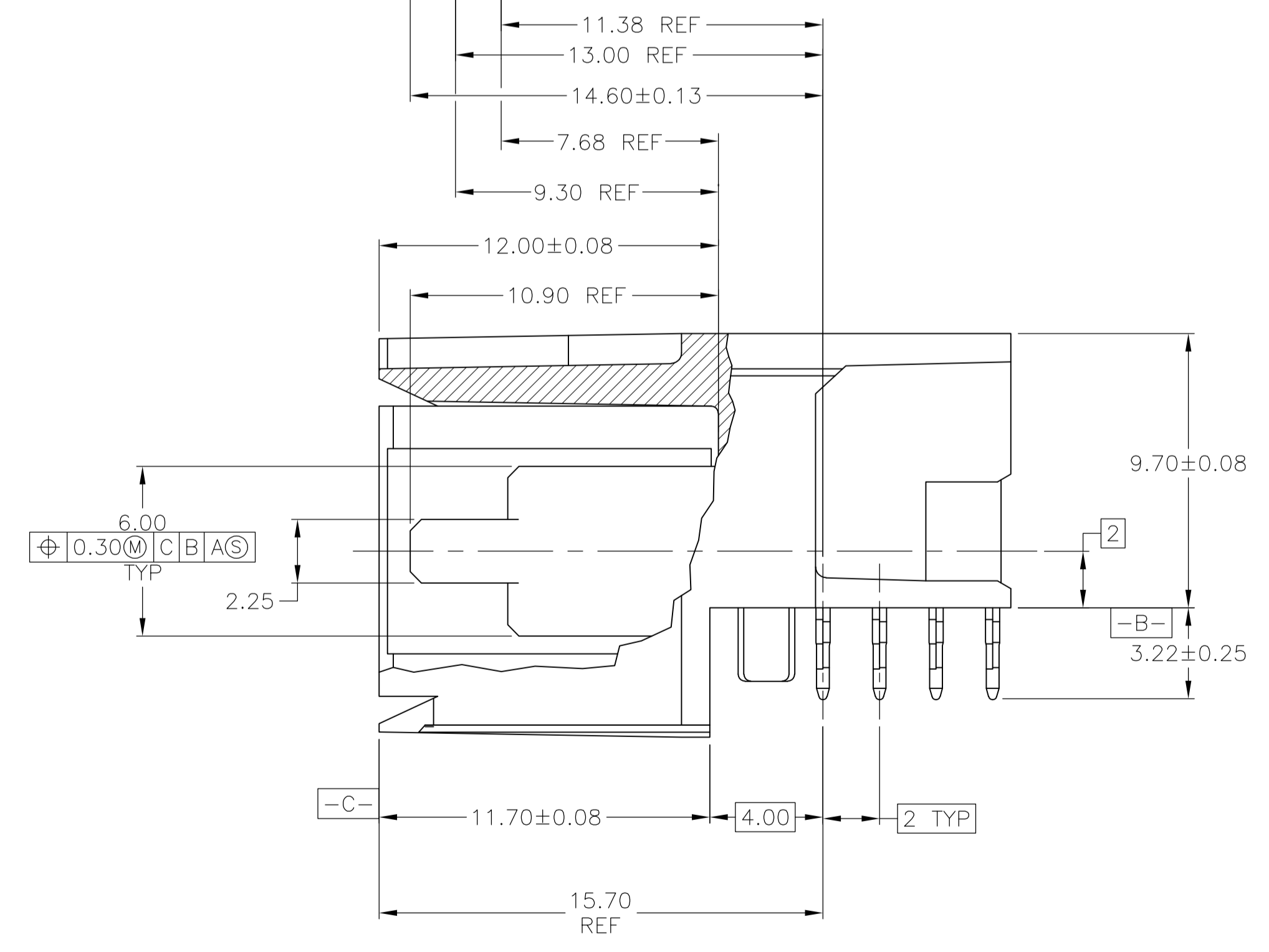
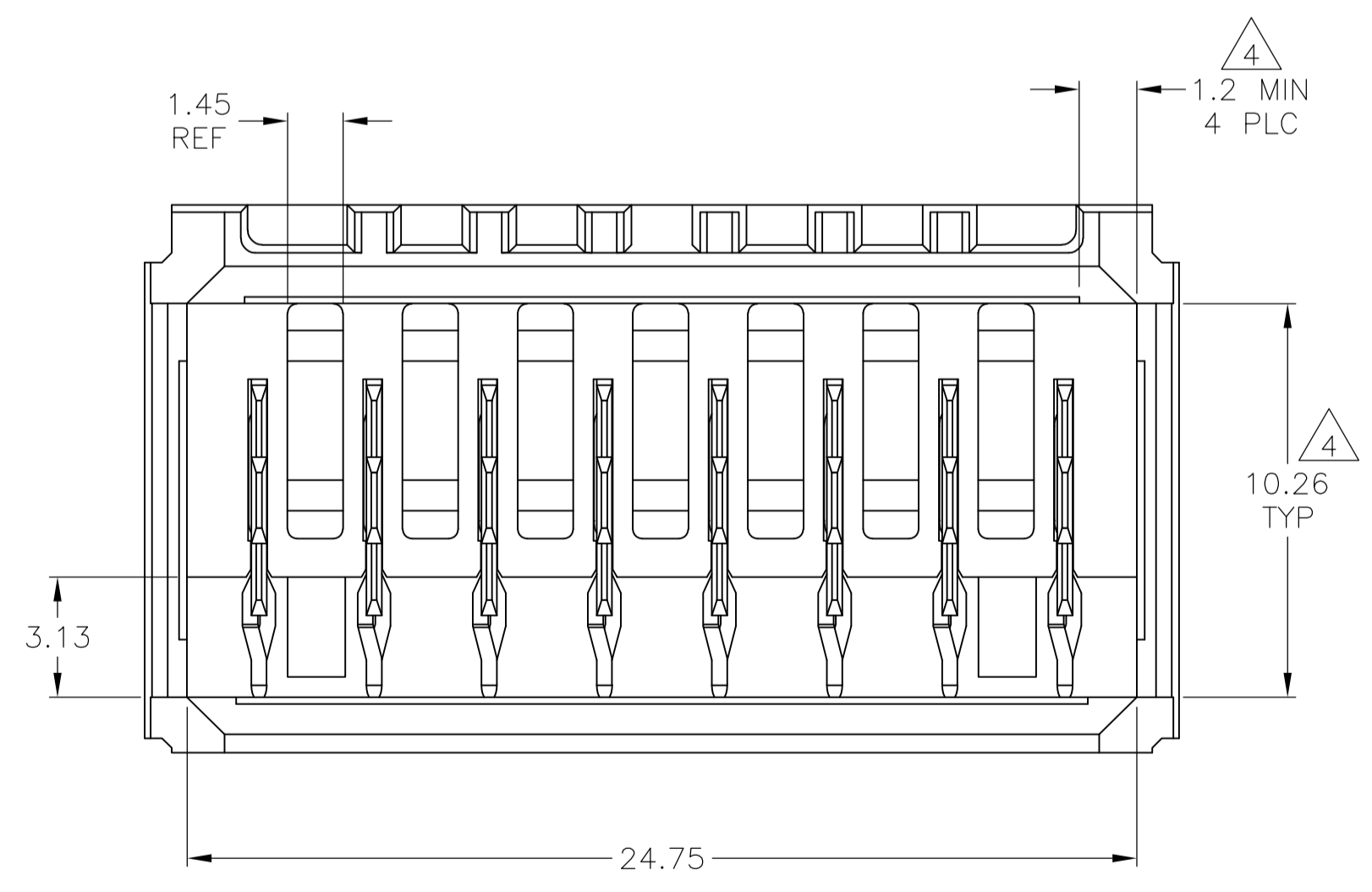
- 1 MATERIAL: HOUSING: POLYESTER, GRAY. UL 94V-0. CONTACT: HIGH CURRENT COPPER ALLOY.
- 2 FINISH: CONTACT MATING AREA: 2.54µm MIN GOLD. ACTION PIN AREA: 0.5µm MIN MATTE TIN PLATE, ALL OVER 1.27µm MIN NICKEL UNDERPLATE.
- 3 FINISH: CONTACT LUBRICATION WITH BELLCORE APPROVED LUBRICANT. TECHNICAL REFERENCE: GR-1217-CORE, ISSUE 1, NOVEMBER 1995.
- 4 THE 10.26±0.13 DIMENSION APPLIES IN THIS AREA.
- 5 REFERENCE APPLICATION SPEC 114-1103 FOR RECOMMENDED PLATED THRU HOLE DIAMETER AND PLATING THICKNESSES.
- 6 CURRENT RATING 16A/CONTACT PER PRODUCT SPEC 108-1651.



RECOMMENDED PCB HOLE LAYOUT



SECTION W-W
SCALE 40:1



A,B,C,D,E,F,G,H	-	-	8	2227516-2
POSITIONS LOADED WITH 10.90 REF CONTACTS	POSITIONS LOADED WITH 9.30 REF CONTACTS	POSITIONS LOADED WITH 7.68 REF CONTACTS	NO OF LOADED POSITIONS	PART NUMBER
THIS DRAWING IS A CONTROLLED DOCUMENT.		DIN RAGHAVENDRA 27DEC12 CHK SHARPE ALEXANDER 27DEC12 APVD SHARPE ALEXANDER 27DEC12 PRODUCT SPEC		
DIMENSIONS: mm TOLERANCES UNLESS OTHERWISE SPECIFIED: 0 PLC ± - 1 PLC ± - 2 PLC ± 0.13 3 PLC ± - 4 PLC ± - ANGLES ± -		NAME ASSEMBLY, RIGHTANGLE HEADER WITH RETENTION PEGS, UNIVERSAL POWER MODULE APPLICATION SPEC SIZE CAGE CODE DRAWING NO A1 00779 C=2227516 WEIGHT CUSTOMER DRAWING		
MATERIAL 1		FINISH 2 3		
SCALE 6:1		SHEET 1 OF 1 REV A		