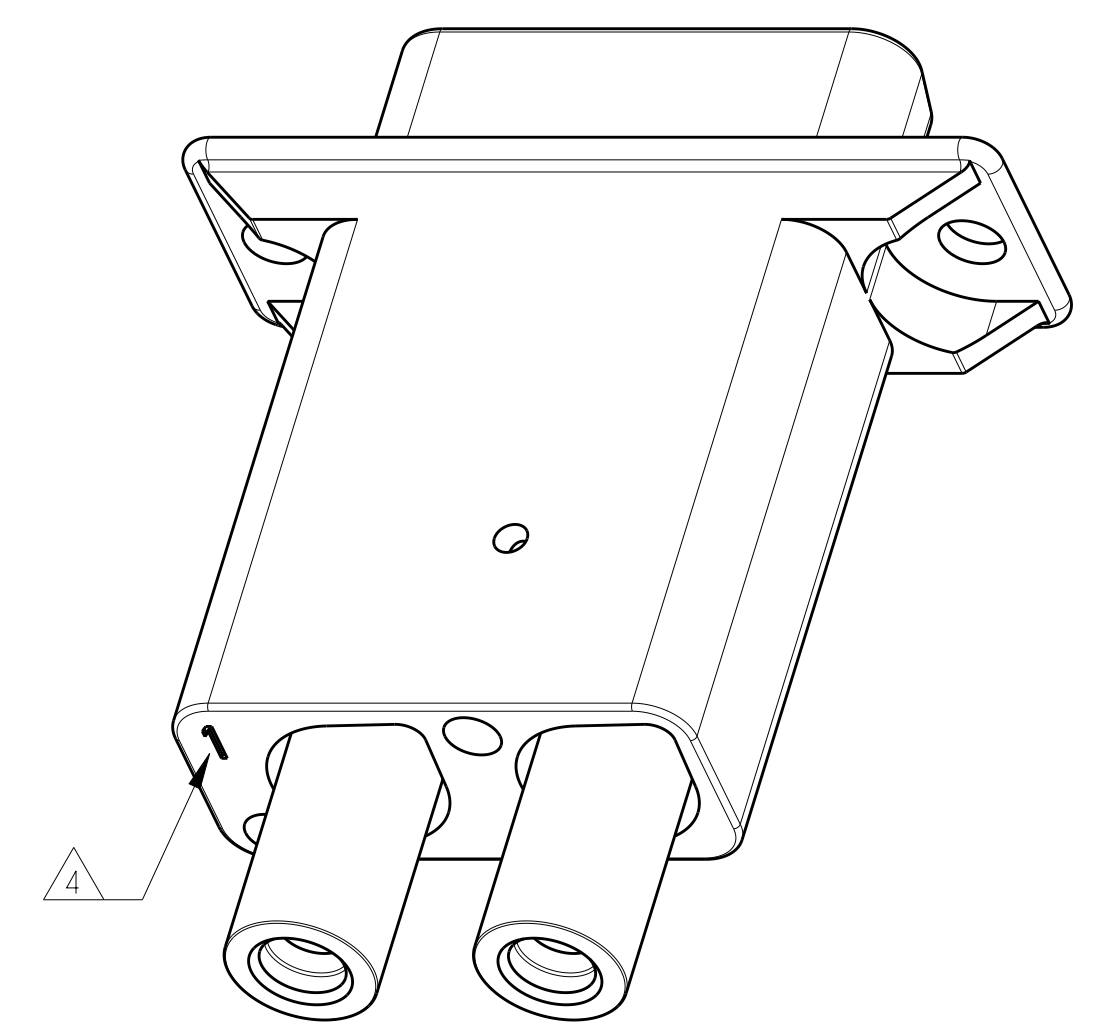
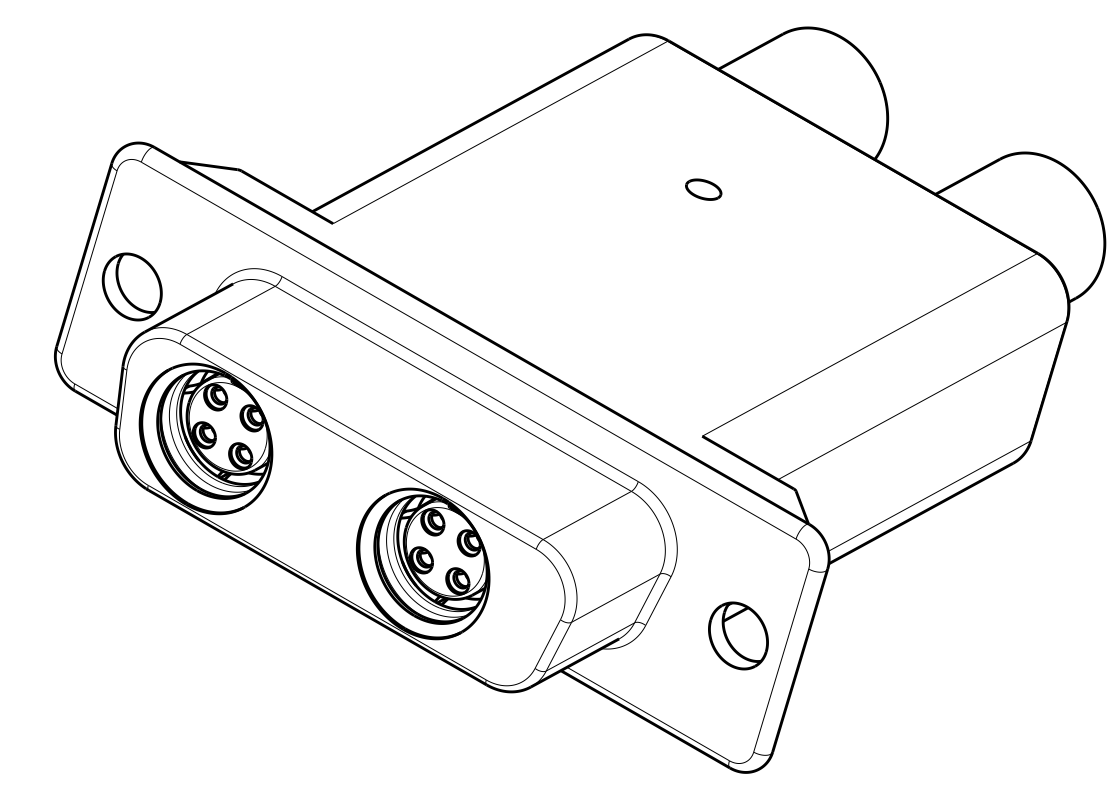
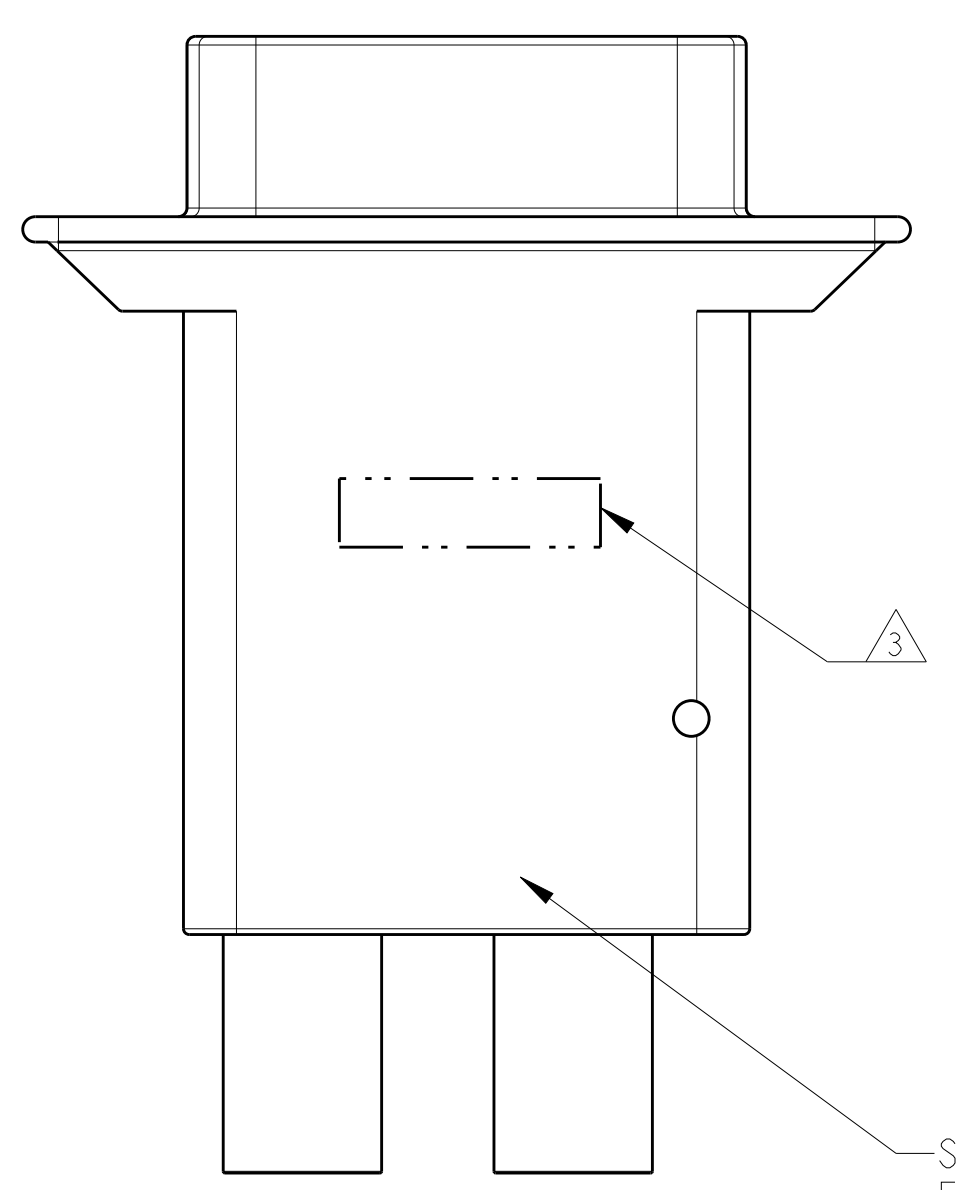
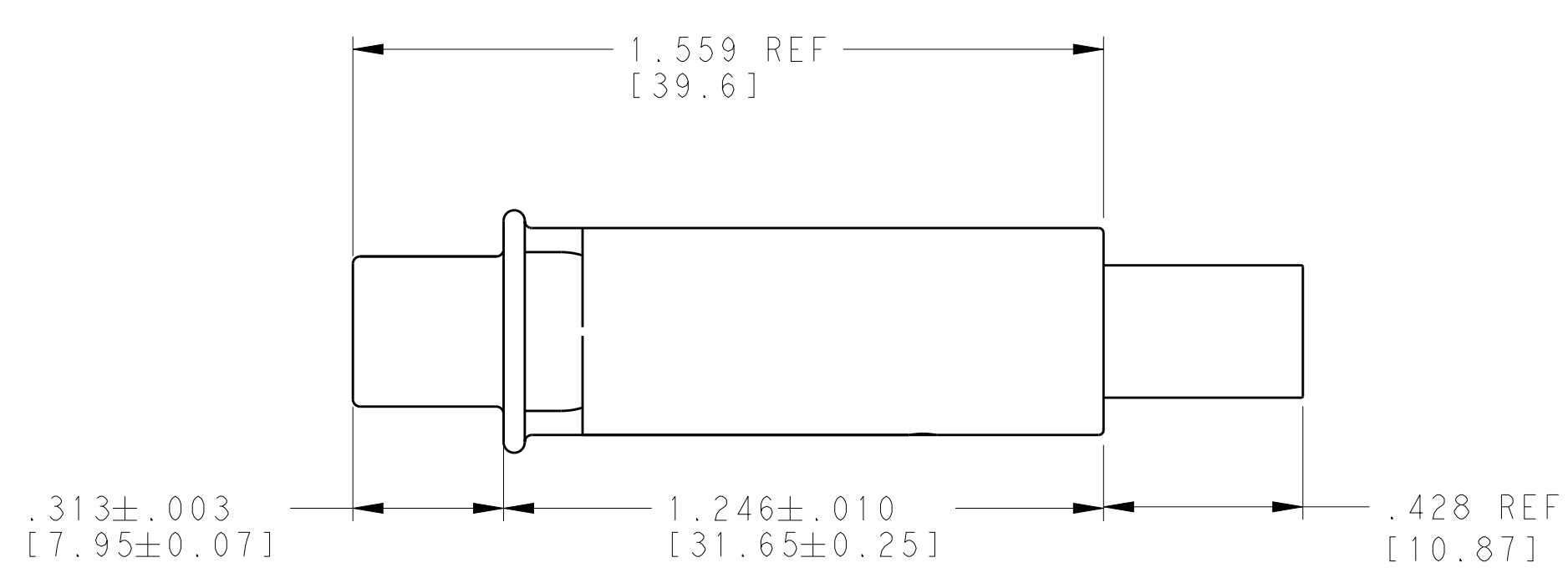
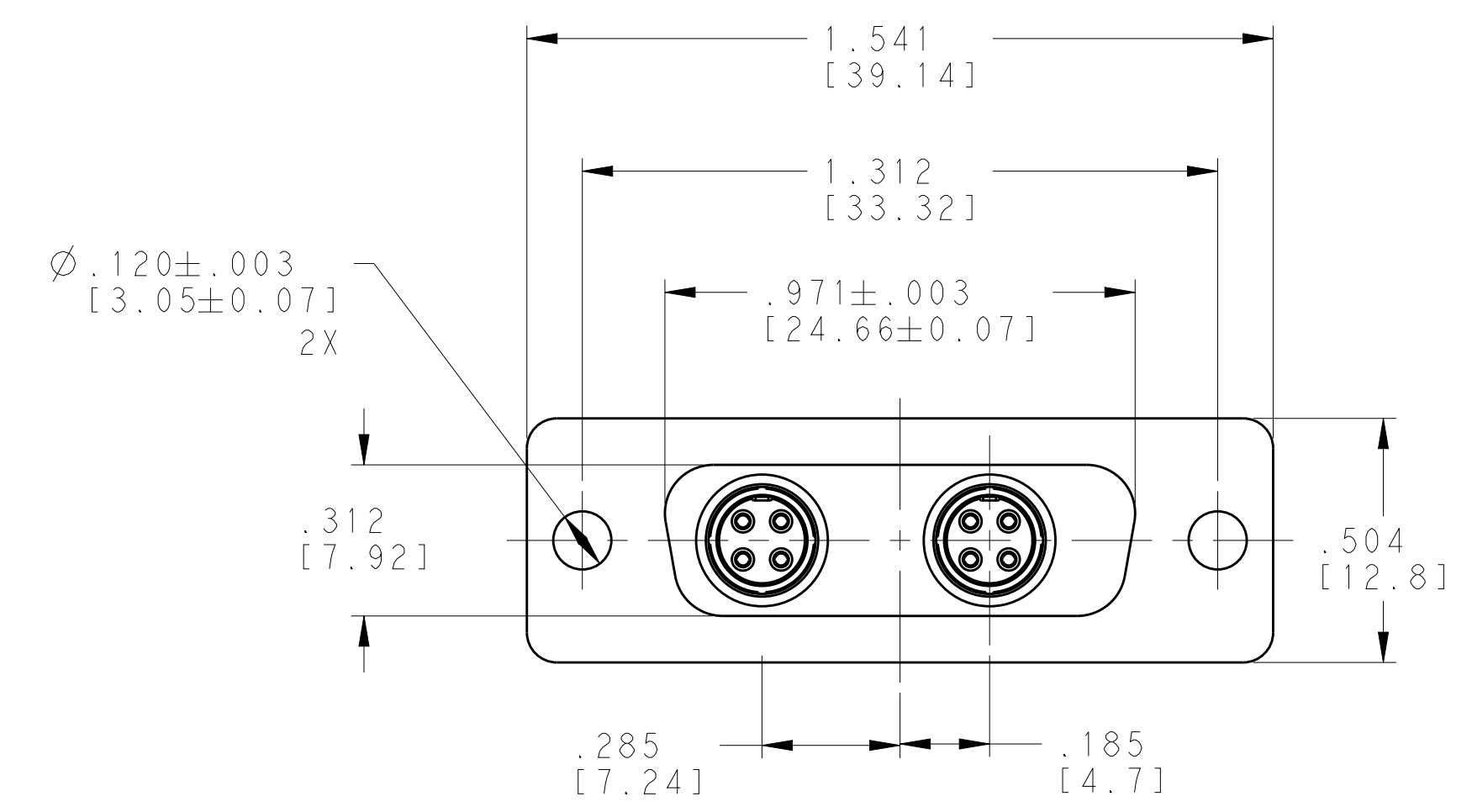


| LOC | DIST | REVISIONS |     |                            |           |     |      |
|-----|------|-----------|-----|----------------------------|-----------|-----|------|
|     |      | P         | LTR | DESCRIPTION                | DATE      | DWN | APVD |
|     |      | A         |     | RELEASED PER ECO 13-012654 | 7-27-13   | CT  | DM   |
|     |      | B         |     | REV PER ECO-13-015094      | 04JAN2014 | MGM | CT   |
|     |      | C         |     | REVISED PER ECO-15-006554  | 08JUN15   | MGM | CT   |



SHELL  
 ELECTROLESS NICKEL PLATED PER AMS-C-26074 CLASS 1  
 ALUMINUM ALLOY 6061-T6 PER ASTM B221  
 CONTACT RETENTION CLIP QTY = 2 (ASSEMBLED INSIDE SHELL)  
 STAINLESS STEEL PER UNS S30200 PER ASTM A666  
 PLATED SILVER .000400 MIN THICK PER ASTM B700 OVER WOODS  
 NICKEL STRIKE PER ASTM B254

- ① CONNECTOR KIT INCLUDES QUADRAX CONTACTS (TE PART# 1445693-3, QTY 2) FOR 100Ω CABLE.
- ② RECOMMENDED CABLES :  
 RAYCHEM, CEC-RWC-18687, CEC-RWC-18664  
 TENSOLITE, NF240100, NF260100.
- ③ CONNECTOR IS MARKED WITH TE PART NO., TE LOGO OR TE, CAGE CODE & DATE CODE. (EITHER SIDE)
- ④ RECESSED CIRCUIT IDENTIFICATION.

|         |           |
|---------|-----------|
| ① ②     | 2221312-1 |
| REMARKS | PART NO.  |

|  |              |                  |           |                  |  |
|--|--------------|------------------|-----------|------------------|--|
| THIS DRAWING IS A CONTROLLED DOCUMENT. |              | DWN              | 08JUN2015 | TE Connectivity  |  |
| DIMENSIONS: [INCHES(mm)]               |              | CHK              | 08JUN2015 | NAME             |  |
| TOLERANCES UNLESS OTHERWISE SPECIFIED: |              | APVD             | 08JUN2015 | PRODUCT SPEC     |  |
| 0 PLC                                  | ±.1          | CHARLES THOMAS   |           | APPLICATION SPEC |  |
| 1 PLC                                  | ±.1          | CHARLES THOMAS   |           | SIZE             |  |
| 2 PLC                                  | ±.1          | CHARLES THOMAS   |           | CAGE CODE        |  |
| 3 PLC                                  | ±.005 (0.13) | CHARLES THOMAS   |           | DRAWING NO       |  |
| 4 PLC                                  | ±.005 (0.13) | CHARLES THOMAS   |           | RESTRICTED TO    |  |
| ANGLES                                 | ±1°          | CHARLES THOMAS   |           | A100779C=2221312 |  |
| MATERIAL                               |              | WEIGHT           |           | SCALE            |  |
|  |              | Customer Drawing |           | 3:1              |  |
|  |              |                  |           | SHEET 1 OF 1     |  |
|  |              |                  |           | REV C            |  |