

4

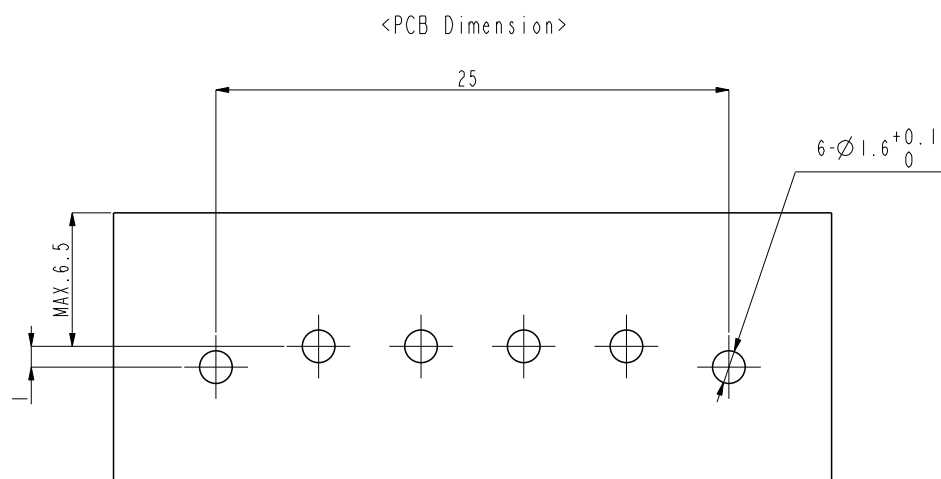
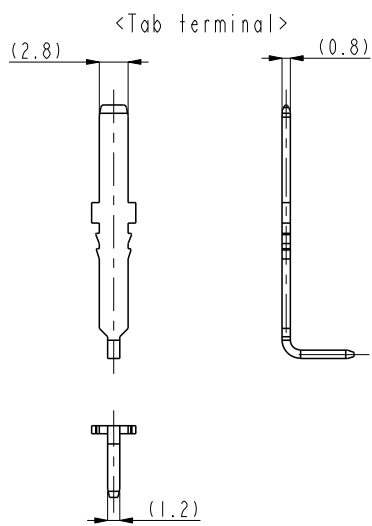
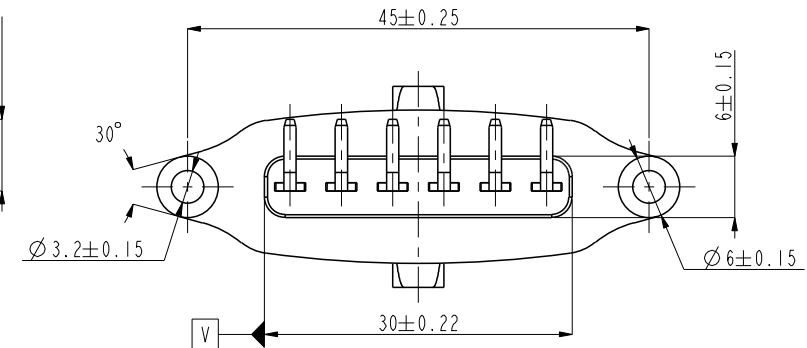
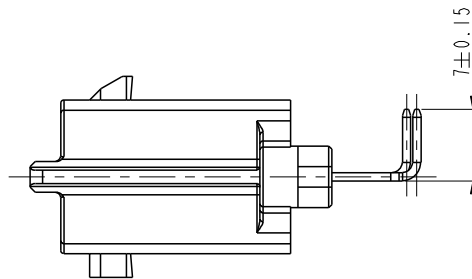
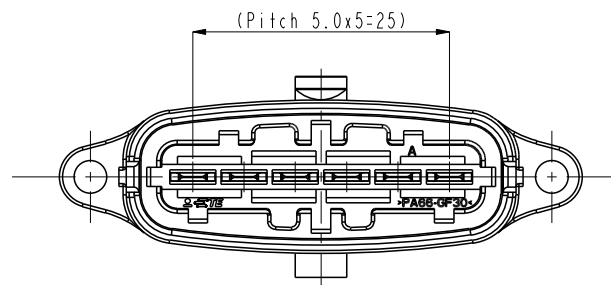
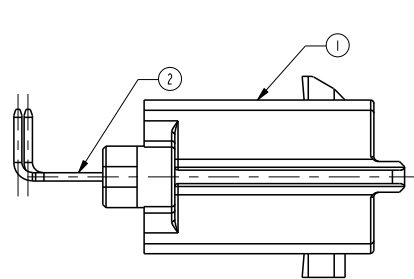
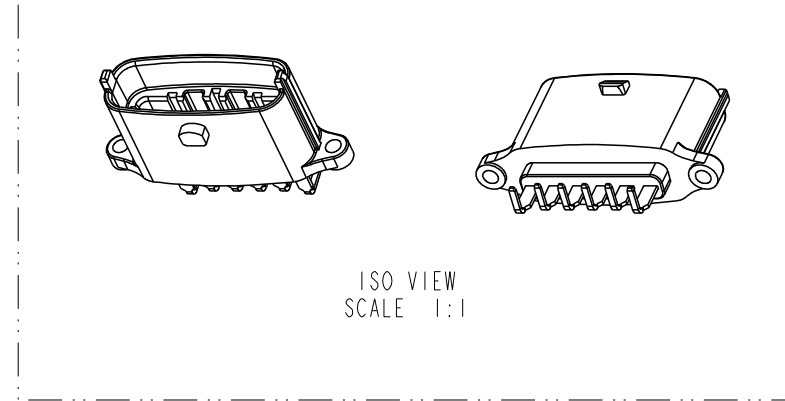
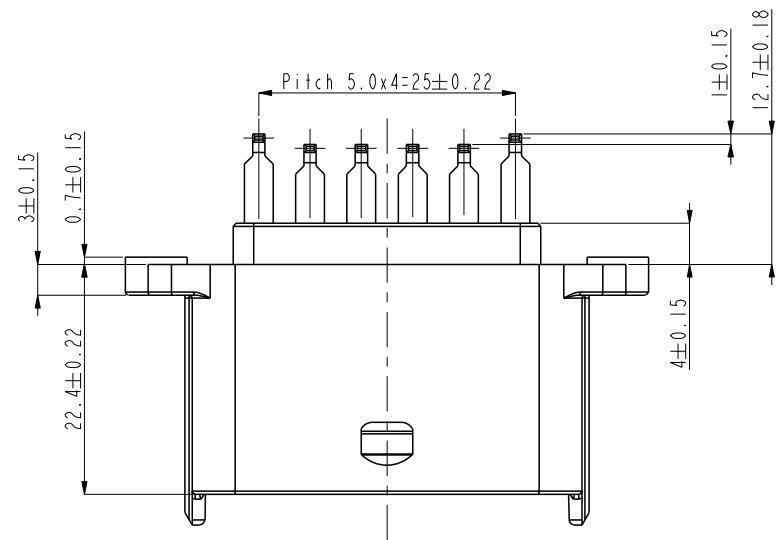
3

2

1

THIS DRAWING IS UNPUBLISHED. RELEASED FOR PUBLICATION 20
© COPYRIGHT 20 BY ALL RIGHTS RESERVED.

REVISIONS				
P	LTR	DESCRIPTION	DATE	APVD
A		RELEASE	21.SEP15	EW HG



- NOTES;
 1. GENERAL TOLERANCE : ±0.3, ±3°
 2. APPLICABLE MATING PLUG : 936394-2

DESCRIPTION	ASSY P/N
.110 EVP 6P HEADER ASSY	2219569-1

2	TIN PLATED	C2680 1/2H	.110 TAB TERMINAL	6
1	BLACK	PA66-GF30	.110 EVP 6P HEADER HSG	1
NO	COLOR/FINISH	MATERIAL	DESCRIPTION	Q'TY

THIS DRAWING IS A CONTROLLED DOCUMENT.		DWN CHK APVD PRODUCT SPEC		TE Connectivity	
DIMENSIONS: mm		TOLERANCES UNLESS OTHERWISE SPECIFIED:		NAME	
		0 PLC ± 1 PLC ± 2 PLC ± 3 PLC ± 4 PLC ± ANGLES ± FINISH N/A		110_EVP_6P_HEADER_ASSY	
MATERIAL SEE TABLE		WEIGHT		RESTRICTED TO	
		A2		-	
CUSTOMER DRAWING		SCALE 2:1		SHEET 1 OF 1 REV A	

- NOTES;
 1. PCB Thickness : 1.6±0.05
 2. GENERAL TOLERANCE : ±0.15

<SCALE 4:1>

<SCALE 4:1>