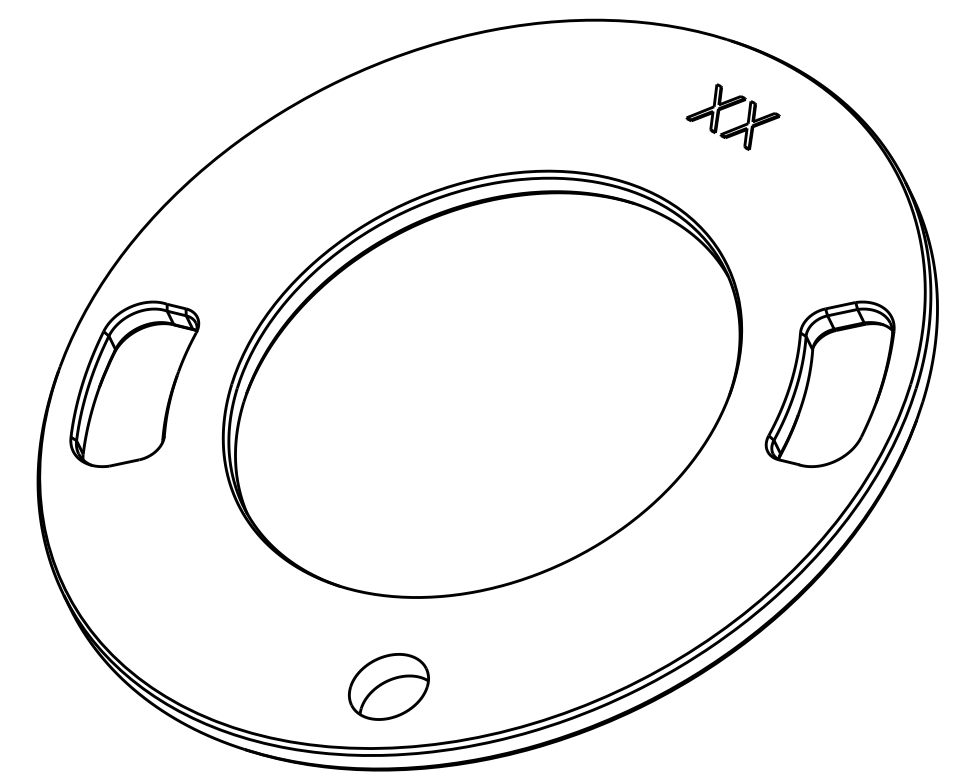
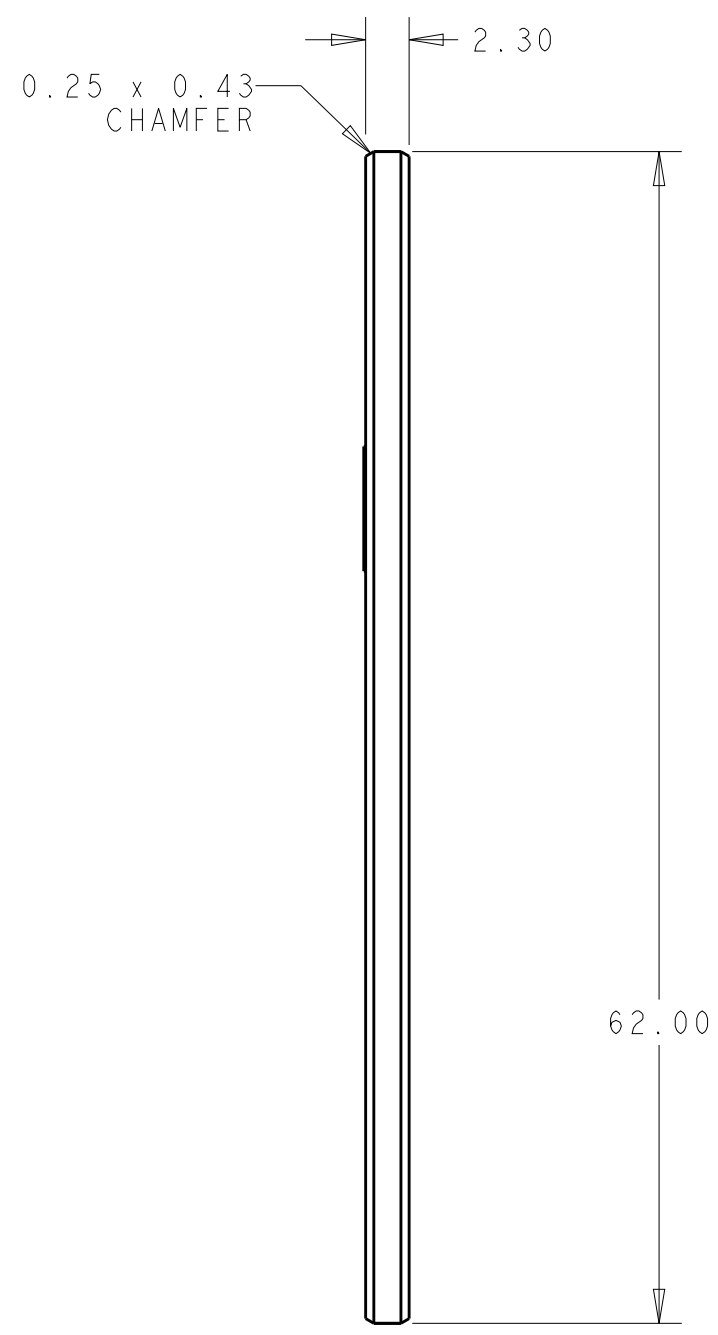
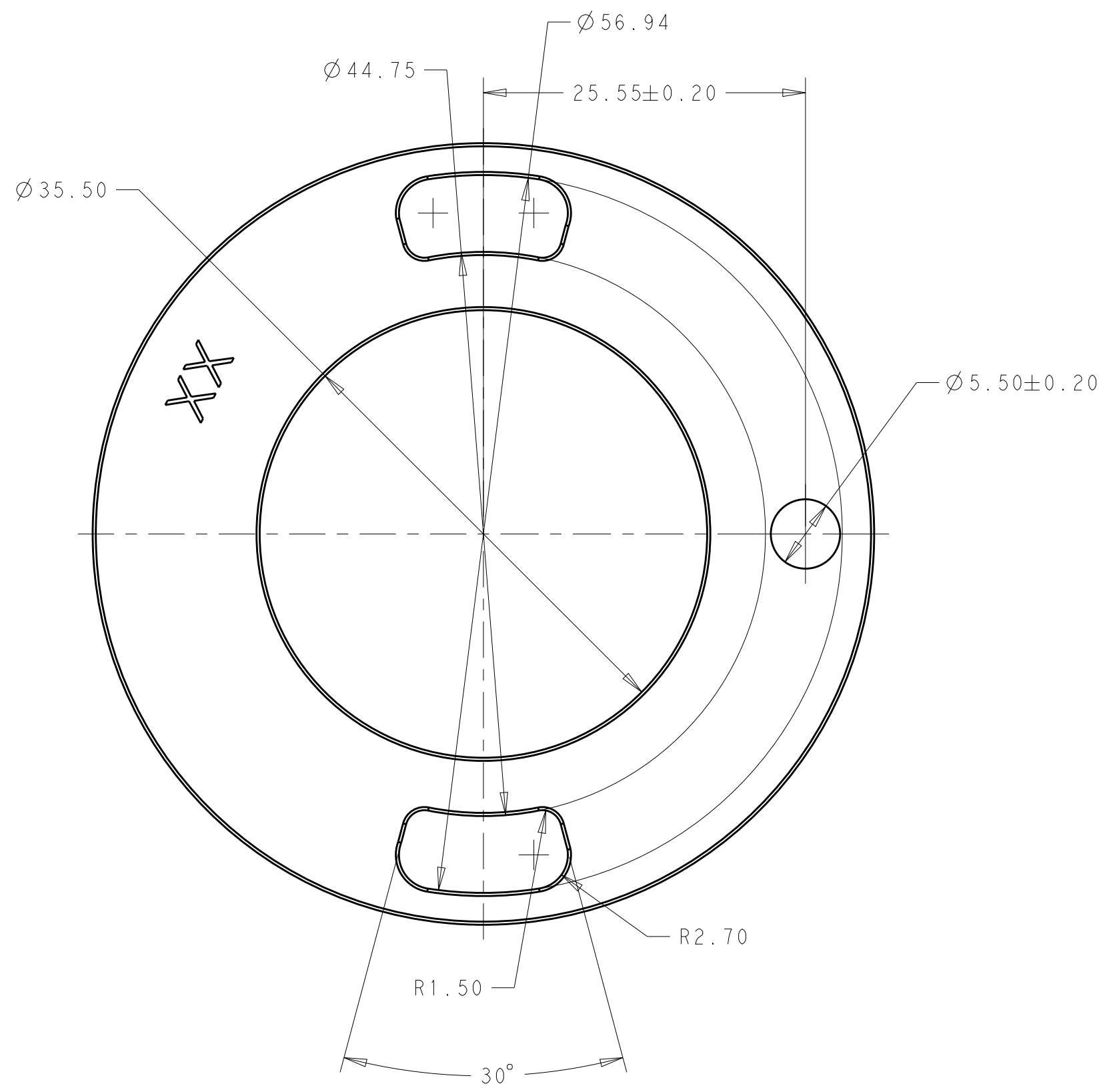


THIS DRAWING IS UNPUBLISHED. RELEASED FOR PUBLICATION 20
 © COPYRIGHT 20 BY - ALL RIGHTS RESERVED.

| REVISIONS | | | | |
|-----------|-----|--------------------|-----------|-------|
| P | LTR | DESCRIPTION | DATE | APVD |
| 1 | | NEW DRAWING | 16JUN2016 | JS MM |
| 2 | | ADD 5.5 HOLE | 26JUL2016 | MM MM |
| 3 | | REMOVE PRELIM NOTE | 06JUL2017 | MM MM |
| A | | ECR-18-016627 | 23OCT2018 | SR DD |



NOTES:
 1. MATERIAL: LIQUID SILICONE RUBBER, DUROMETER 40 SHORE A, COLOR: BLACK
 2. TOLERANCES PER RMA-A1-F2

2213847-1
 PART NO.

| | | | | |
|--|--|-------------------------------|--|--------------|
| THIS DRAWING IS A CONTROLLED DOCUMENT. | | DWN: J. SHAFFER 16 JUN 2016 | STE TE Connectivity | |
| | | CHK: M. MOSTOLLER 16 JUN 2016 | | |
| DIMENSIONS: mm | | APVD: - | NAME: GASKET, SEALING, ROTATING DIMMING RECEPTACLE | |
| TOLERANCES UNLESS OTHERWISE SPECIFIED: | | PRODUCT SPEC: 108-32059 | RESTRICTED TO: - | |
| 0 PLC ± | | APPLICATION SPEC: 114-133078 | SIZE: A2 | CAGE CODE: - |
| 1 PLC ± | | WEIGHT: - | DRAWING NO: C-2213847 | |
| 2 PLC ± | | CUSTOMER DRAWING | | |
| 3 PLC ± | | SCALE: 1:1 | | |
| 4 PLC ± | | SHEET: 1 OF 1 | | |
| ANGLES ± | | REV: A | | |
| FINISH - | | | | |