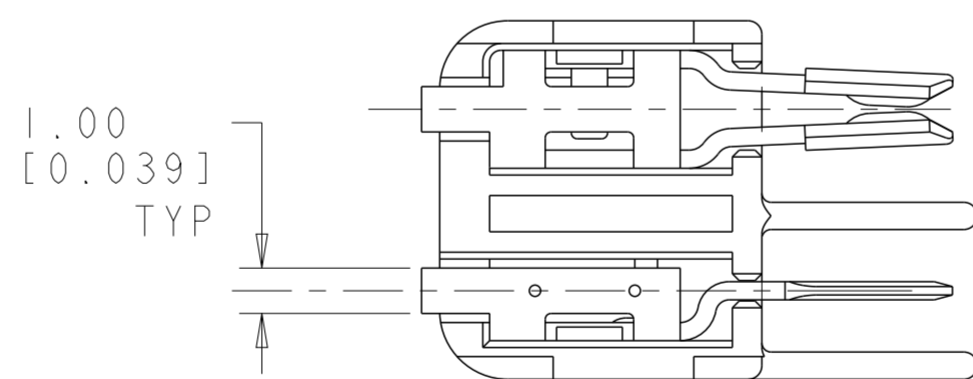
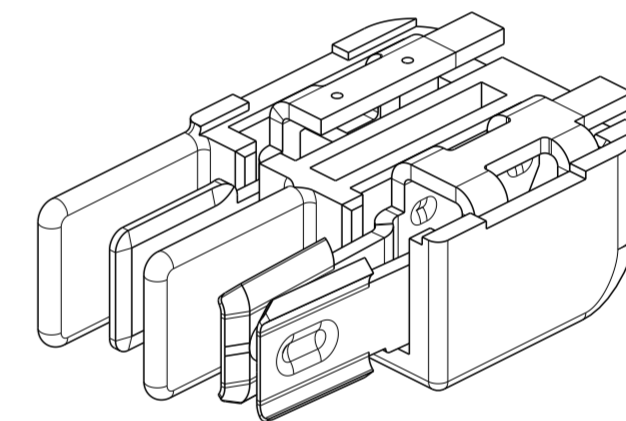
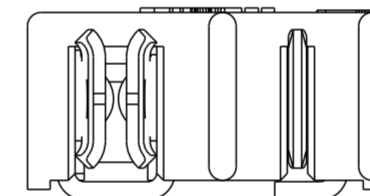
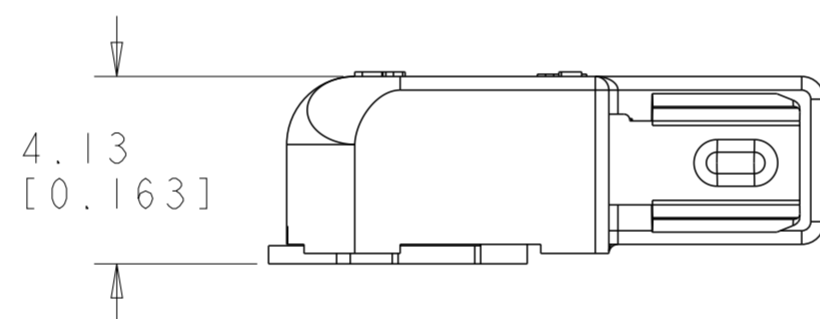
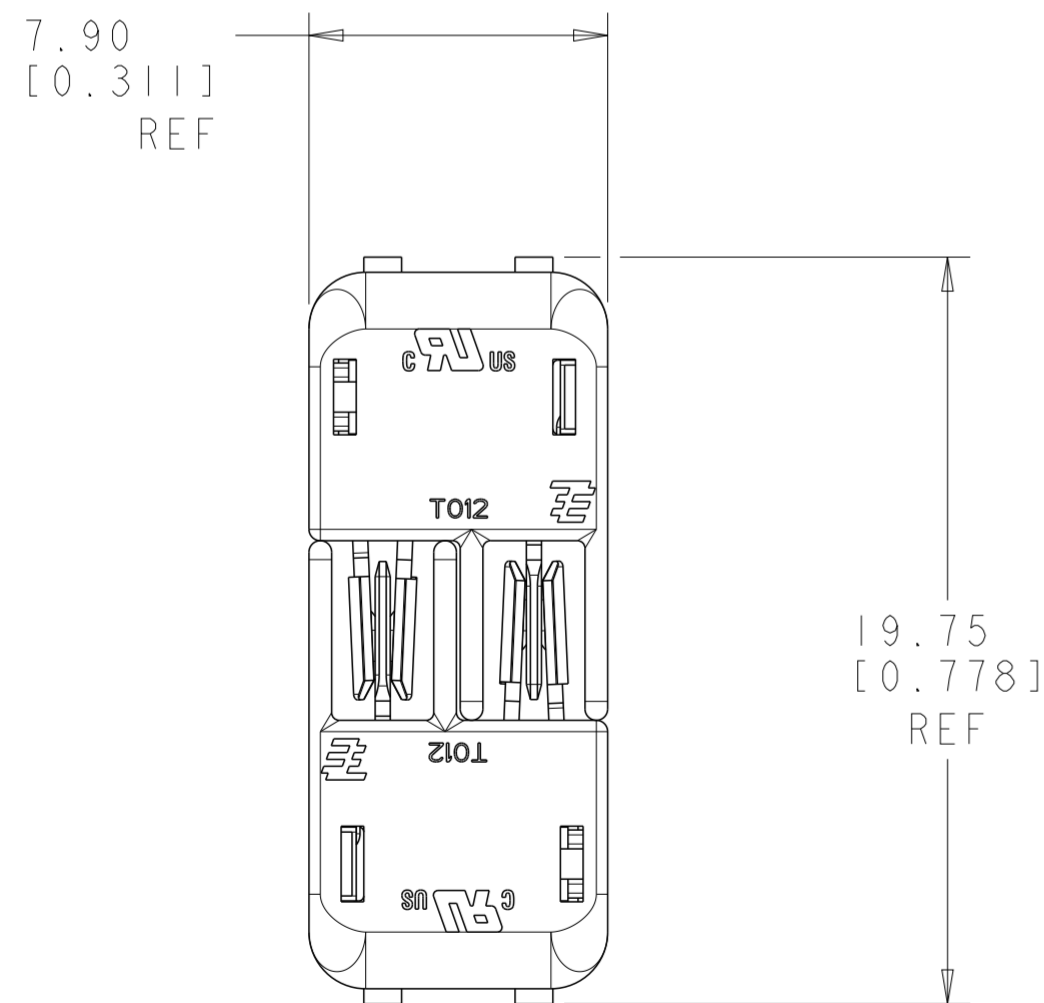
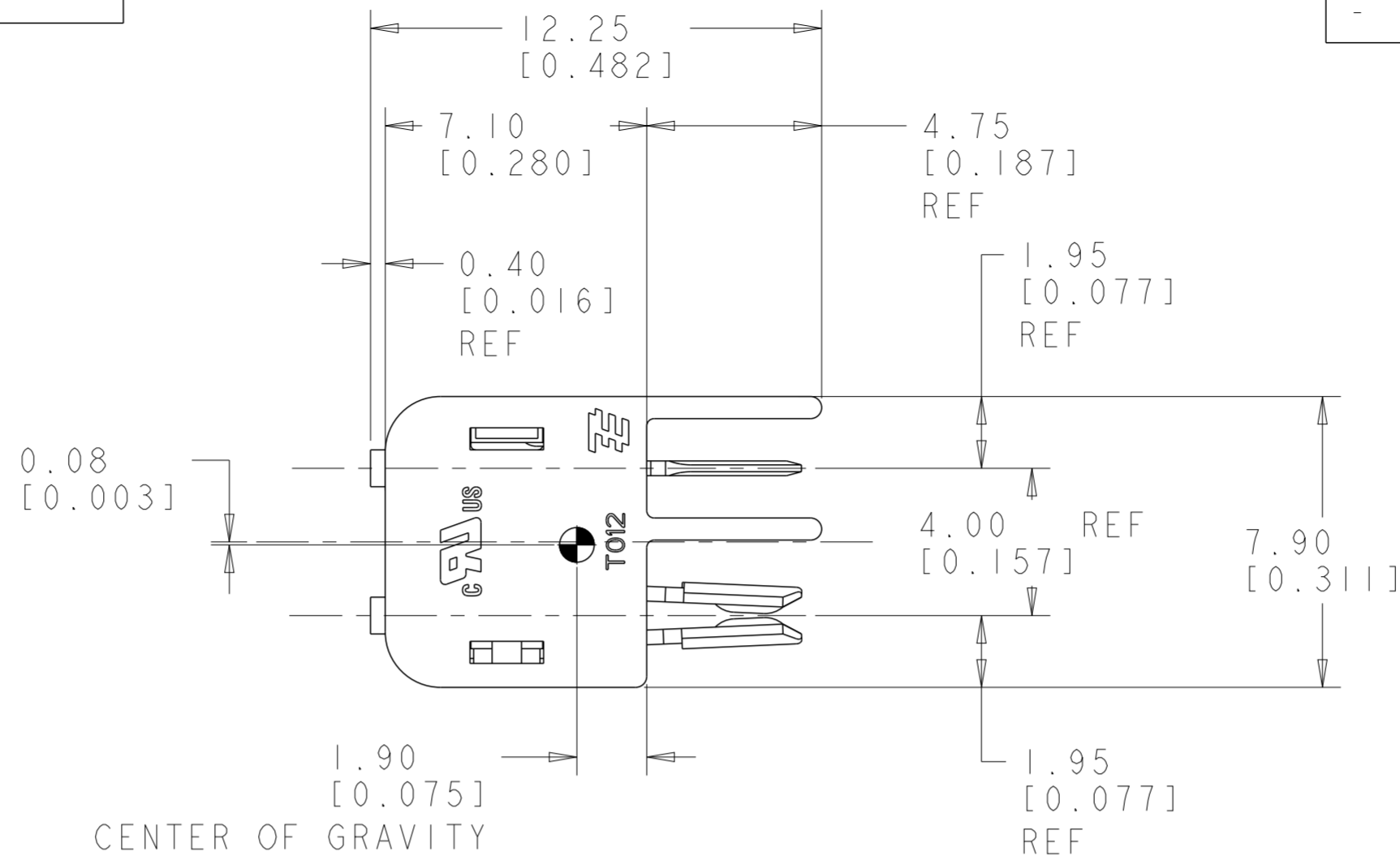


| LOC |     | DIST                      |           | REVISIONS |      |  |  |
|-----|-----|---------------------------|-----------|-----------|------|--|--|
| P   | LTR | DESCRIPTION               | DATE      | DWN       | APVD |  |  |
|     | A   | REVISED PER ECR-16-005567 | 19APR2016 | RS        | DD   |  |  |
|     | AI  | REVISED PER ECR-16-010299 | 20JUL2016 | RS        | PO   |  |  |

NOTES:

- 1 MATERIALS AND FINISH
  - HOUSING: LCP
  - CONTACTS: COPPER ALLOY, FINISH: TIN AND SELECT GOLD
- 2 PRODUCT TO COMPLY WITH DIRECTIVE 2002/95/EC (ROHS)
- 3 PACKAGED IN TAPE AND REEL



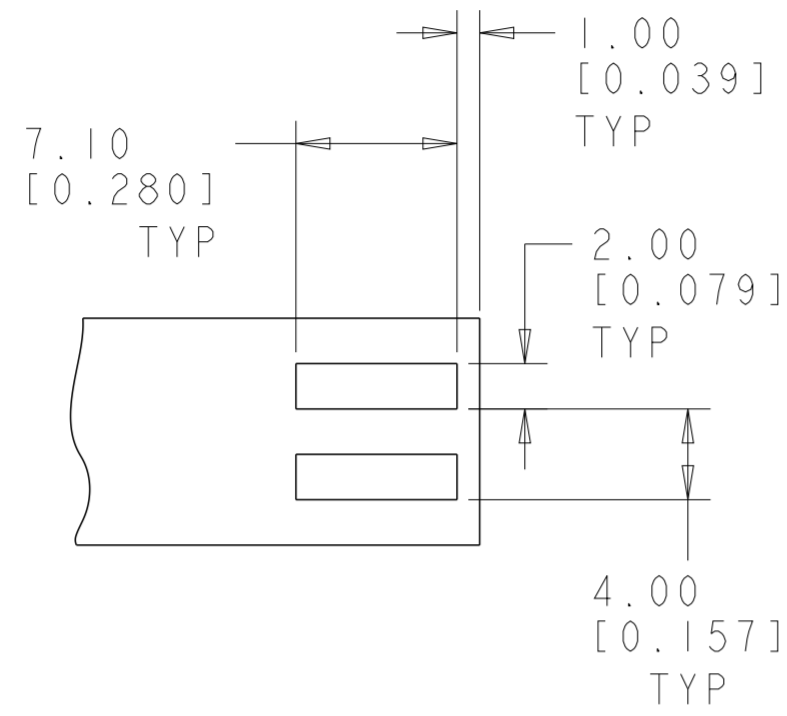
|          |         |             |
|----------|---------|-------------|
| 6        | BLACK   | 1-2213613-3 |
| 4        | BLACK   | 1-2213613-2 |
| 2        | BLACK   | 1-2213613-1 |
| 6        | NATURAL | 2213613-3   |
| 4        | NATURAL | 2213613-2   |
| 2        | NATURAL | 2213613-1   |
| POSITION |         | COLOR       |
|          |         | PART NO.    |

MATED PAIRS SHOWN FOR REFERENCE

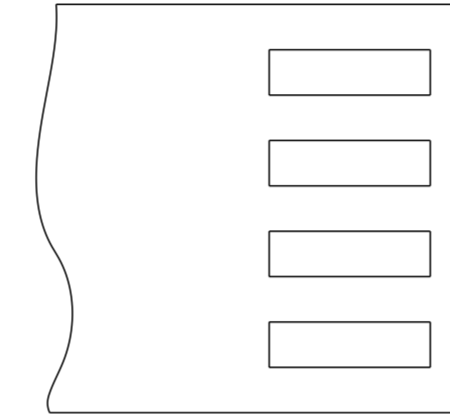
|  |  |                                |  |                 |
|--|--|--------------------------------|--|-----------------|
| THIS DRAWING IS A CONTROLLED DOCUMENT.   |  | DWN<br>RAVLS<br>17JAN2015      | TE Connectivity  |                 |
| DIMENSIONS: mm   |  | CHK<br>D. DECKER<br>17JAN2015  |  |                 |
| TOLERANCES UNLESS OTHERWISE SPECIFIED:   |  | APVD<br>D. DECKER<br>17JAN2015 | NAME<br>CONNECTOR ASSEMBLY,<br>HERMAPHRODITIC BLADE AND RECEPTACLE |                 |
| 0 PLC ±<br>1 PLC ±<br>2 PLC ±0.13<br>3 PLC ±0.013<br>4 PLC ±<br>ANGLES ±1°<br>FINISH |  | PRODUCT SPEC<br>108-2342       | SIZE<br>A200779  |                 |
| MATERIAL   |  | APPLICATION SPEC<br>114-13225  | DRAWING NO<br>C-2213613  |                 |
| -  -   |  | WEIGHT<br>-                    | RESTRICTED TO<br>-   |                 |
| CUSTOMER DRAWING   |  |                                | SCALE<br>6:1   | SHEET<br>1 OF 2 |

THIS DRAWING IS UNPUBLISHED. RELEASED FOR PUBLICATION 20  
 © COPYRIGHT 20 BY - ALL RIGHTS RESERVED.

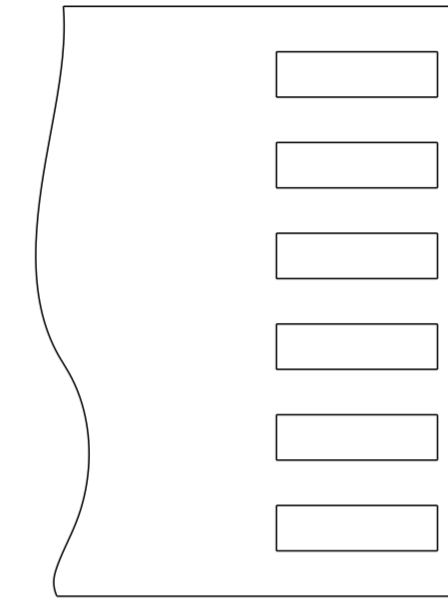
| LOC |     | DIST        |  | REVISIONS |     |      |  |  |
|-----|-----|-------------|--|-----------|-----|------|--|--|
| P   | LTR | DESCRIPTION |  | DATE      | DWN | APVD |  |  |
| -   | -   | SEE SHEET 1 |  | -         | -   | -    |  |  |
|     |     |             |  |           |     |      |  |  |
|     |     |             |  |           |     |      |  |  |



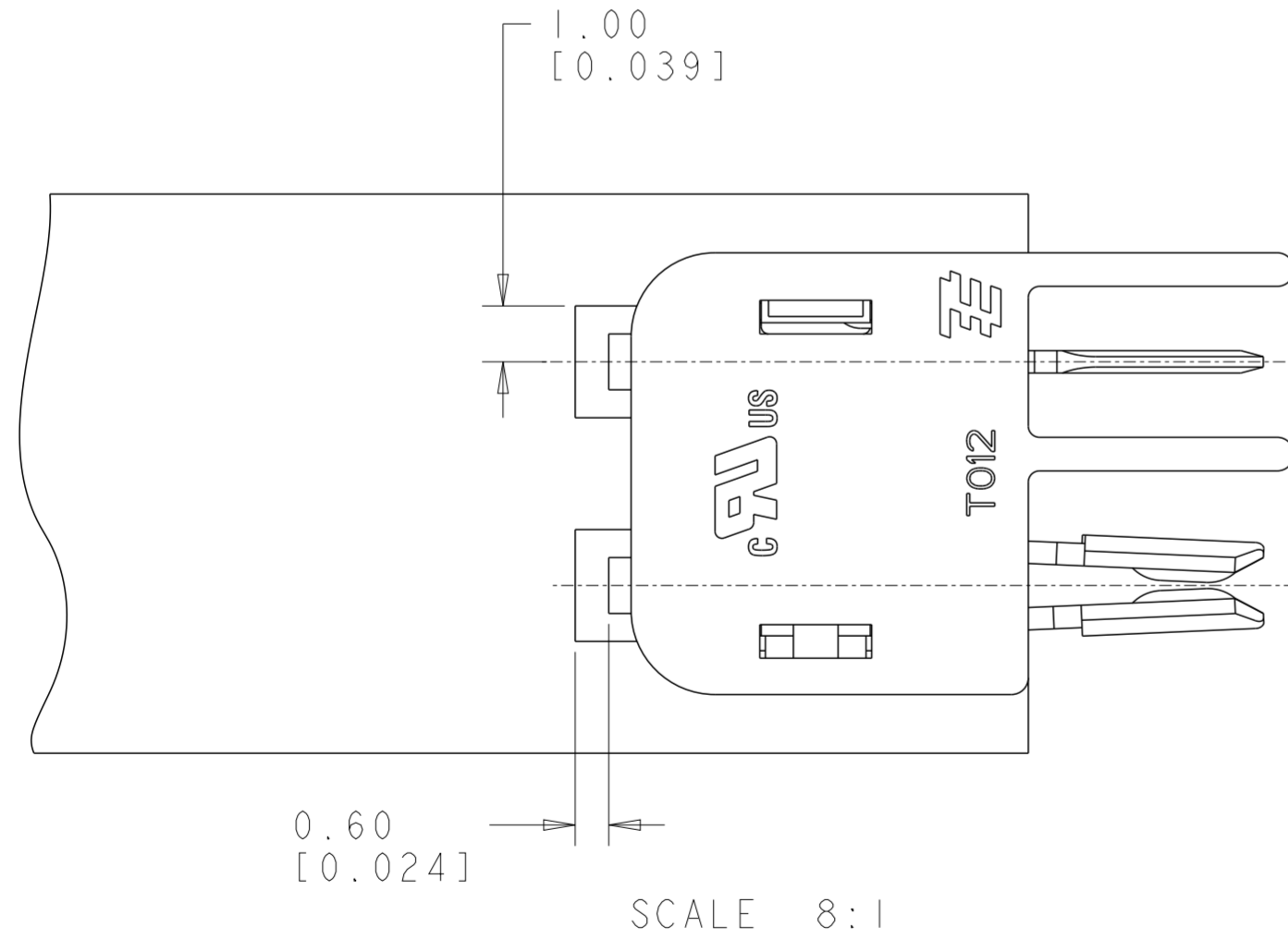
RECOMMENDED PCB LAYOUT FOR 2213613-1 & 1-2213613-1



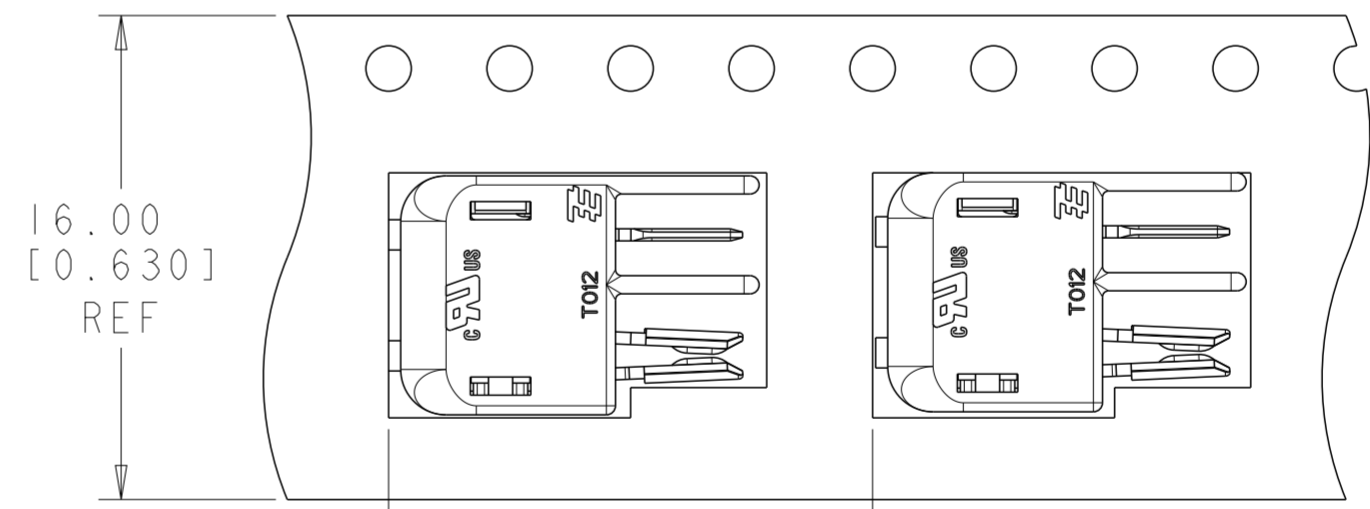
RECOMMENDED PCB LAYOUT FOR 2213613-2 & 1-2213613-2




RECOMMENDED PCB LAYOUT FOR 2213613-3 & 1-2213613-3



SCALE 8:1



TO BE PACKAGED AS SHOWN SCALE 4:1

|  |  |                                |   |                        |
|--|--|--------------------------------|---|------------------------|
| THIS DRAWING IS A CONTROLLED DOCUMENT.   |  | DWN<br>RAVLS<br>17JAN2015      |  TE Connectivity |                        |
| DIMENSIONS:<br>mm  |  | CHK<br>D. DECKER<br>17JAN2015  |   |                        |
| TOLERANCES UNLESS OTHERWISE SPECIFIED:<br>0 PLC ±<br>1 PLC ±<br>2 PLC ±0.13<br>3 PLC ±0.013<br>4 PLC ±<br>ANGLES ±1° |  | APVD<br>D. DECKER<br>17JAN2015 | NAME<br>CONNECTOR ASSEMBLY,<br>HERMAPHRODITIC BLADE AND RECEPTACLE                                    |                        |
| MATERIAL   |  | PRODUCT SPEC<br>108-2342       | SIZE<br>A200779   | CAGE CODE<br>C-2213613 |
| FINISH   |  | APPLICATION SPEC<br>114-13225  | DRAWING NO  | RESTRICTED TO          |
| -  |  | WEIGHT                         | -   |                        |
| -  |  | CUSTOMER DRAWING               | SCALE 4:1   | SHEET 2 OF 2 REV A1    |