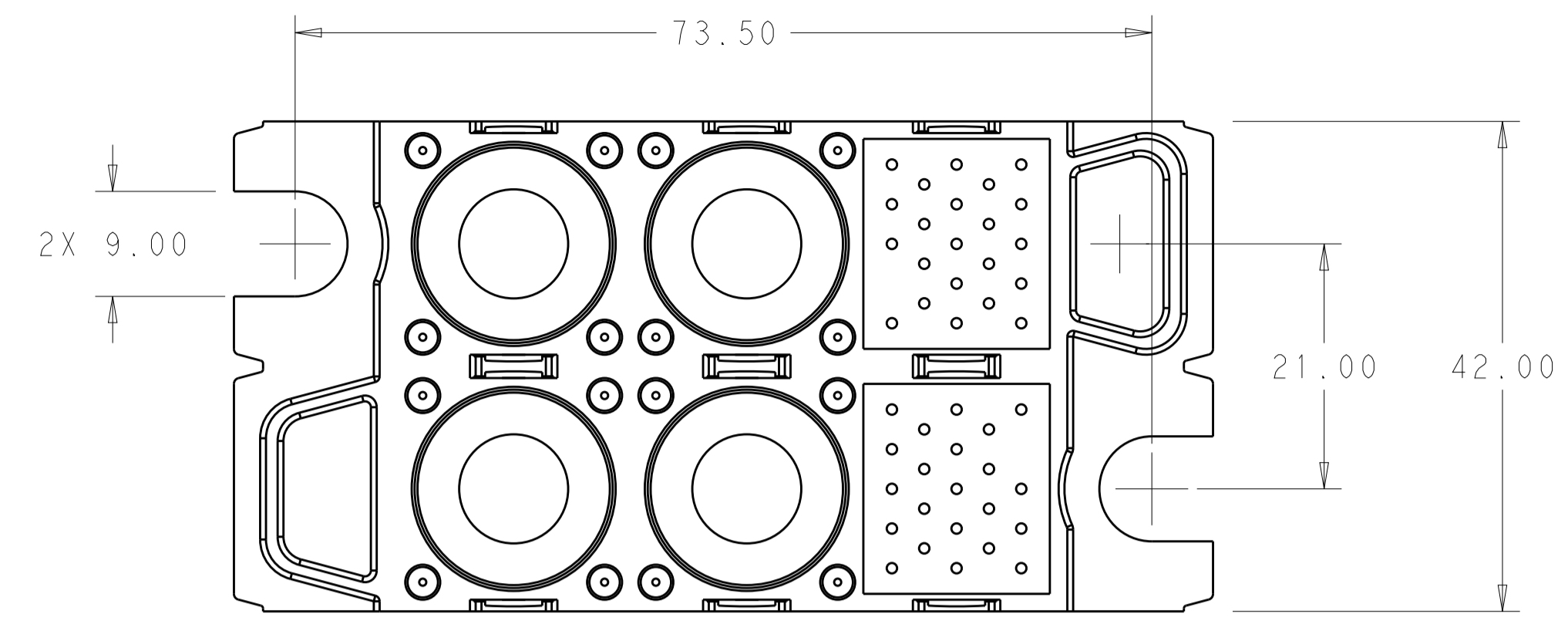
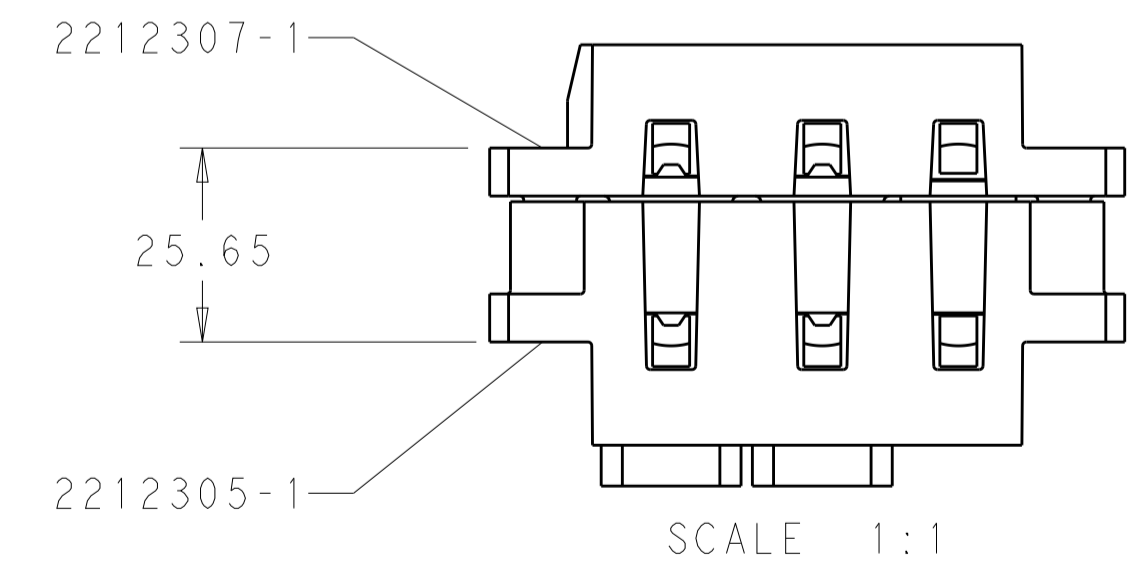
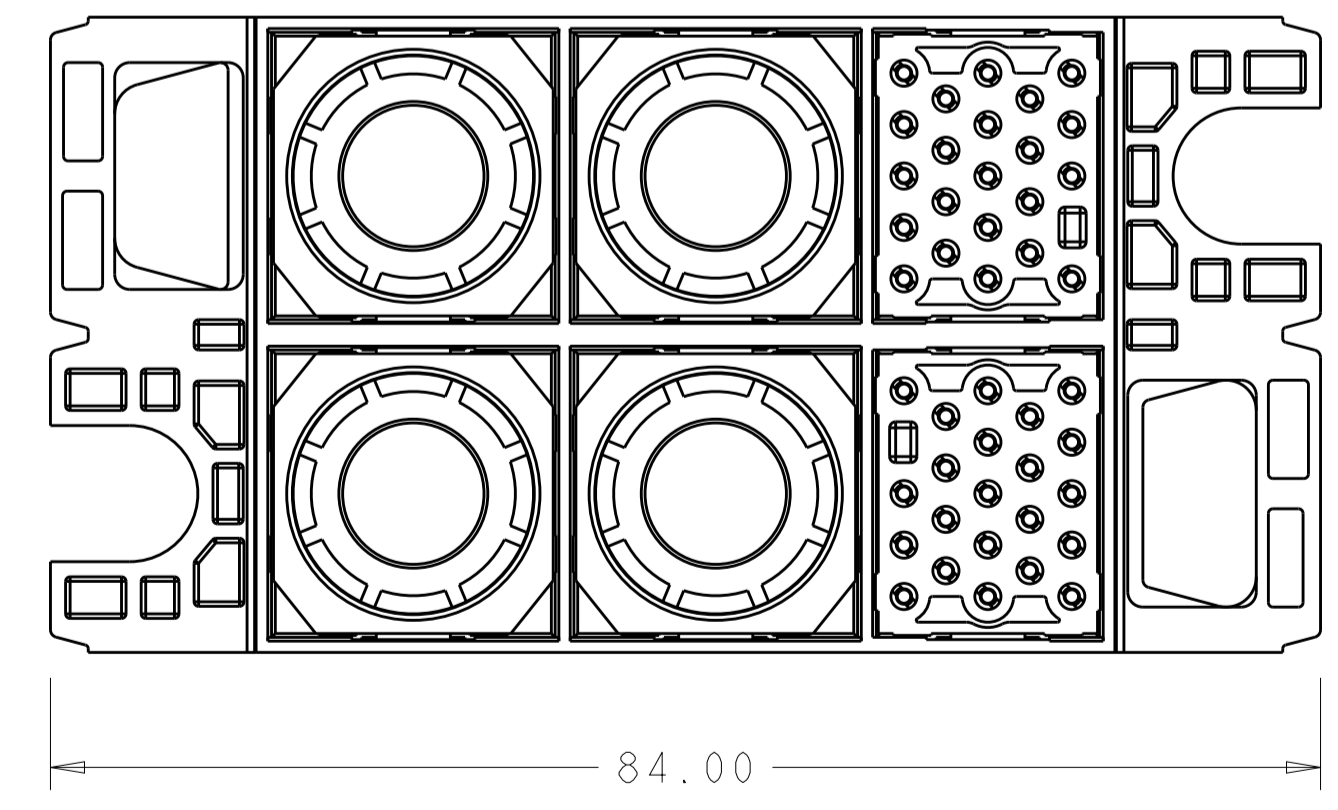
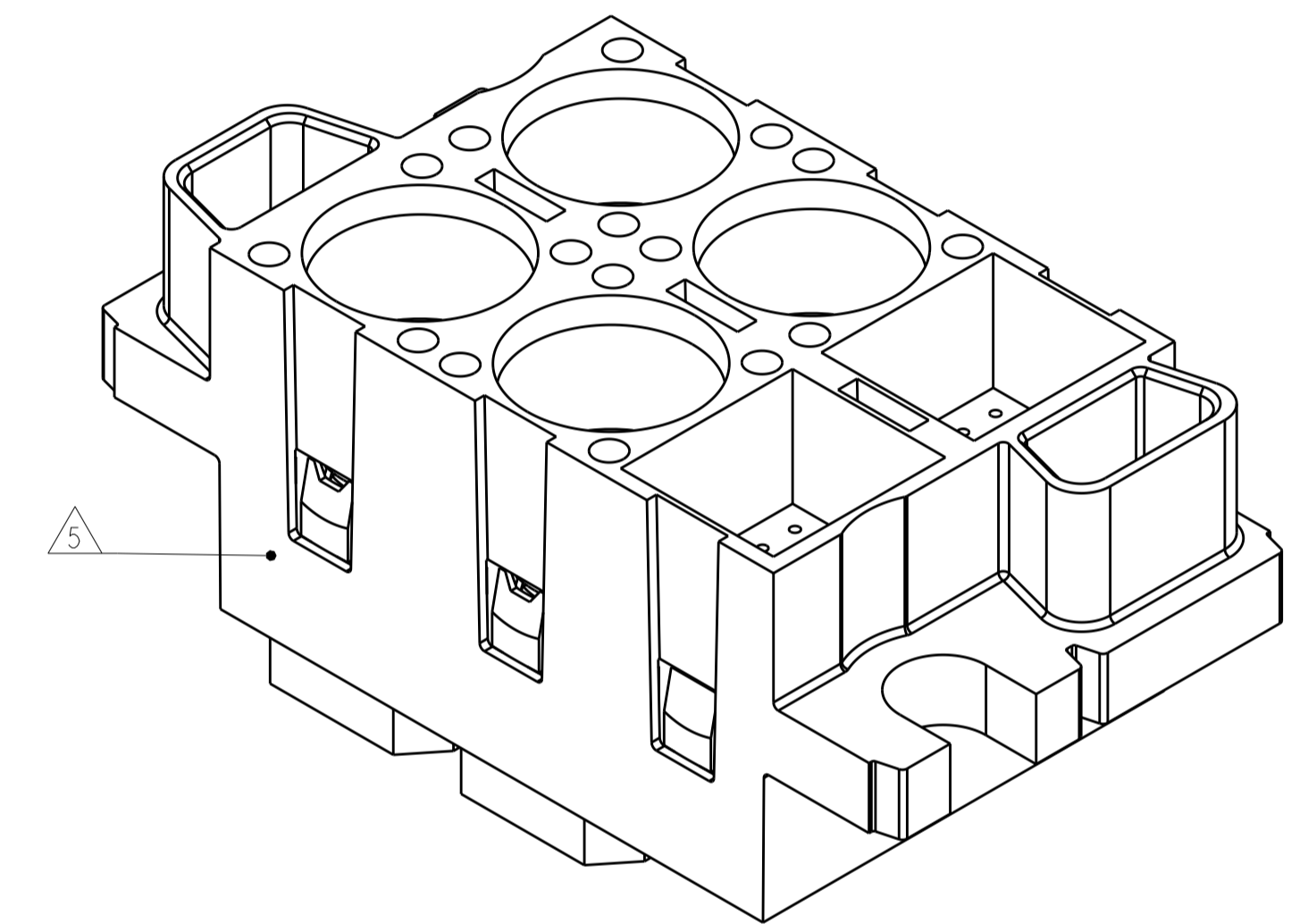
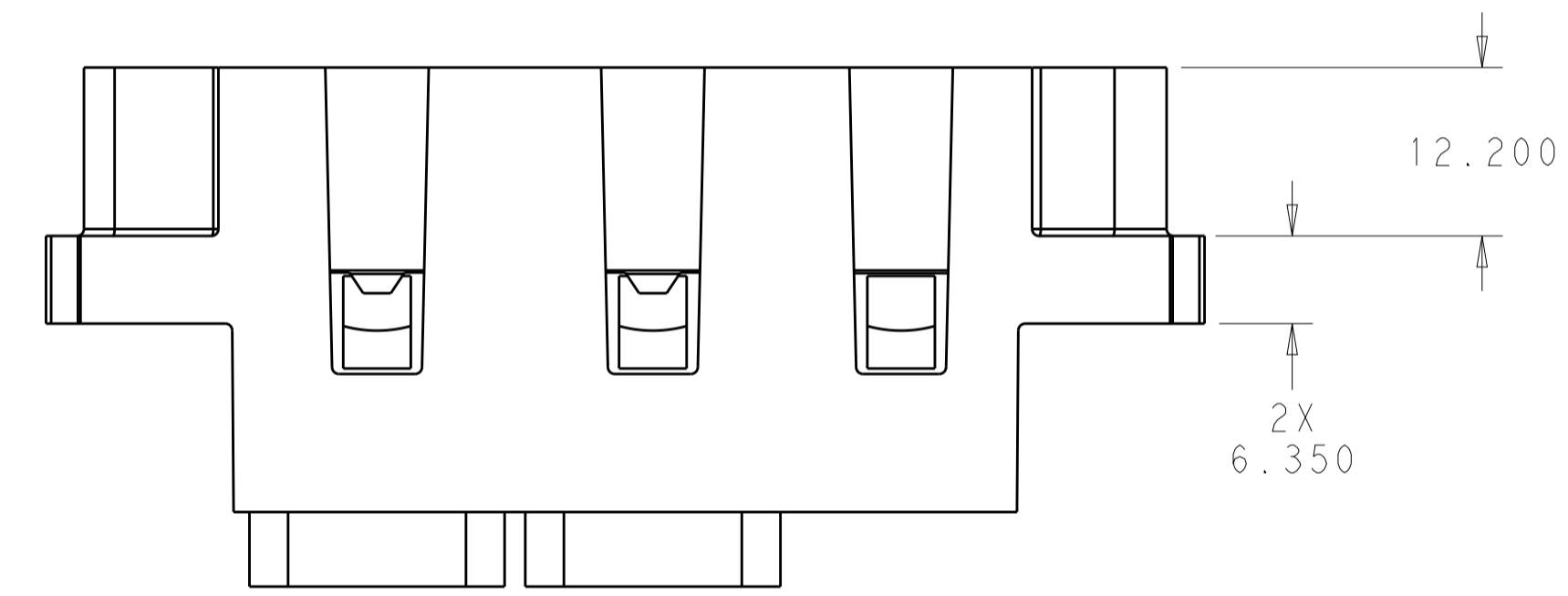
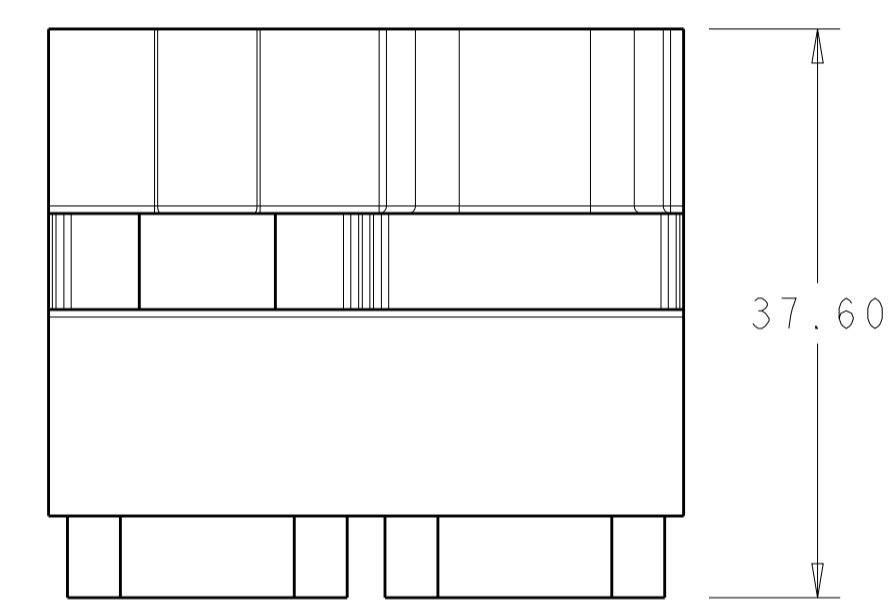


LOC		DIST		REVISIONS			
				REV	DATE	BY	APPV
-	-	-	-				



- 1 HOUSING: THERMOPLASTIC, COLOR BLACK, FLAMMABILITY RATING UL 94 V-0.
- 2 THIS ASSEMBLY TO MATE WITH TEC PART NUMBER 2212307-1.
- 3. RECOMMENDED SHOULDER SCREW:
 2212056, FLOAT MOUNT
 2212055, FIXED MOUNT
- 4 RECOMMENDED PANEL CUTOUT FOR FRONT PANEL MOUNT APPLICATION.
 RECOMMENDED PANEL THICKNESS 1.5 TO 1.78.
- 5 DATE CODE AND PART NUMBER IN APPROXIMATE AREA SHOWN.



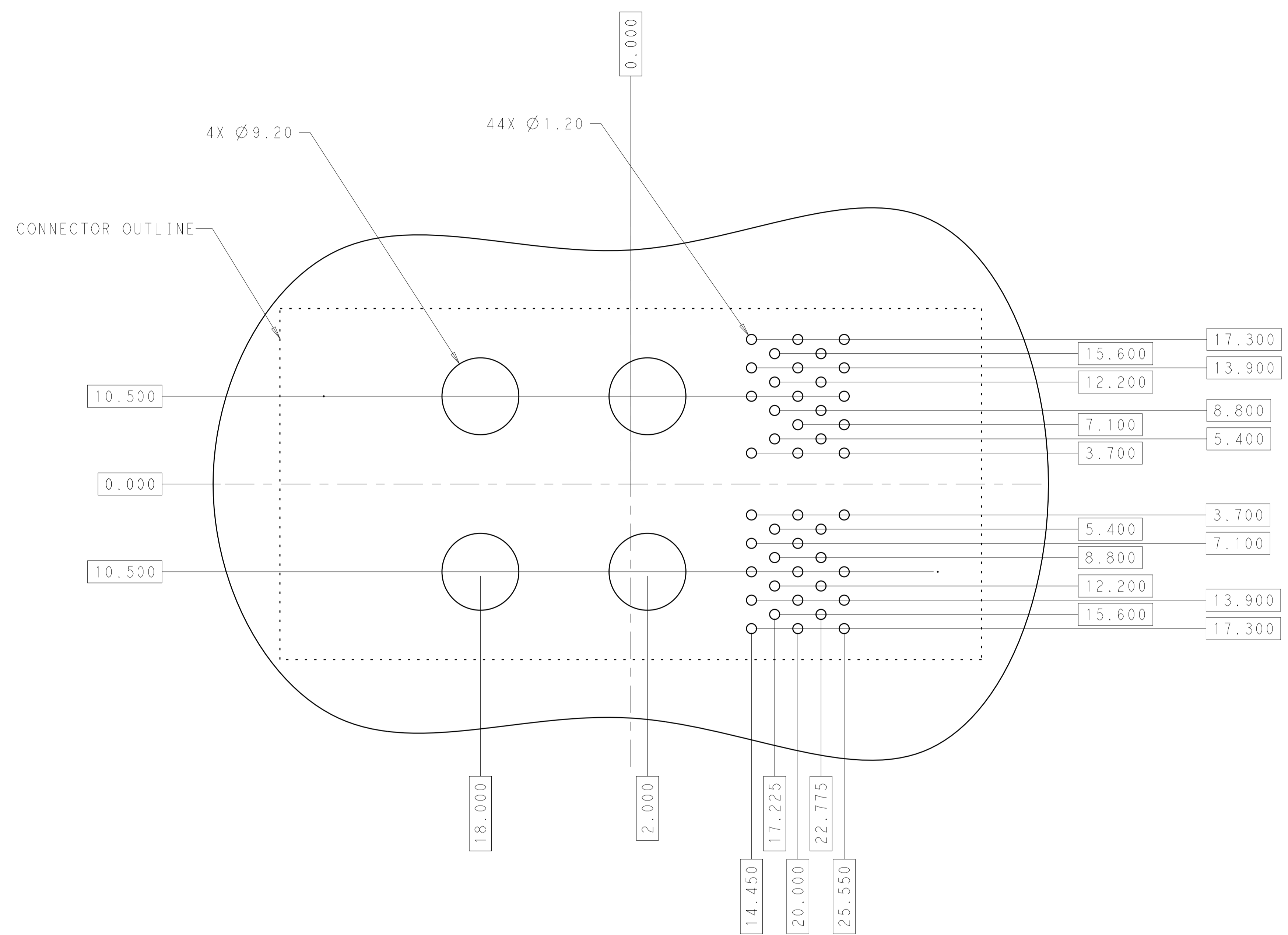
FULLY MATED ASSEMBLIES 2

CONNECTOR, PIN, FORGE 4x#0,0x#4,0x#8,0x#12,2x#22	2212305-1
DESCRIPTION	PART NO.

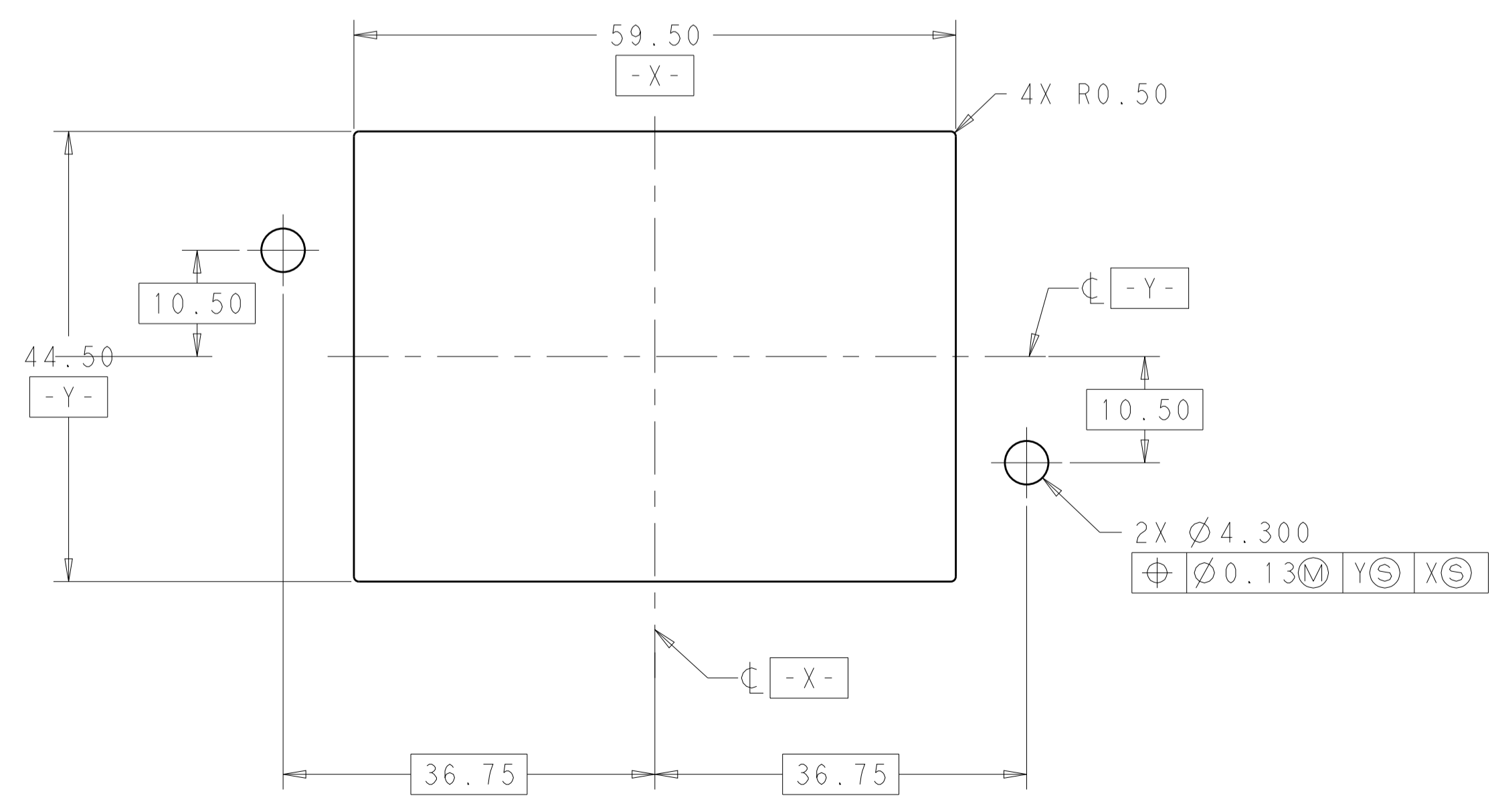
THIS PRINT IS
PRELIMINARY
 UNQUALIFIED PRODUCT
 CONTACT PRODUCT ENGINEERING
 BEFORE USING THIS PRINT

THIS DRAWING IS A CONTROLLED DOCUMENT.		OWN: R. TREA 12FEB2015	
DIMENSIONS: mm		CHK: E. WICKES 12FEB2015	
TOLERANCES UNLESS OTHERWISE SPECIFIED:		APPV: D. ORRIS 12FEB2015	
0 PLC ±N/A 1 PLC ±N/A 2 PLC ±0.25 3 PLC ±0.13 4 PLC ±N/A ANGLES ±N/A		NAME: CONNECTOR, PIN, FORGE 4x#0,0x#4,0x#8,0x#12,2x#22 CONFIGURATION	
MATERIAL:		PRODUCT SPEC: 108-2323	RESTRICTED TO:
FINISH:		APPLICATION SPEC: 114-13299	SIZE: A1
		WEIGHT: -	CAGE CODE: 00779
		Customer Drawing	DRAWING NO: 2212305
		SCALE: 1:1	SHEET 1 OF 2
			REV 1

LOC		DIST		REVISIONS			
				REV	DATE	BY	APPV
-	-	-	-	-	-	-	-
-	-	-	-	-	SEE SHEET 1	-	-



RECOMMENDED PCB LAYOUT
 SCALE 3:1



RECOMMENDED PANEL CUTOUT
 SCALE 2:1

THIS DRAWING IS A CONTROLLED DOCUMENT.		OWN R. IREDA	12FEB2015	STE TE Connectivity
DIMENSIONS:		CHK E. WICKES	12FEB2015	
TOLERANCES UNLESS OTHERWISE SPECIFIED:		APVD D. ORRIS	12FEB2015	NAME CONNECTOR, PIN, FORGE
mm		PRODUCT SPEC		4x#0, 0x#4, 0x#8, 0x#12, 2x#22
0 PLC ±N/A		APPLICATION SPEC		CONFIGURATION
1 PLC ±N/A		108-2323		SIZE
2 PLC ±0.25		114-13299		CAGE CODE
3 PLC ±0.13		WEIGHT		DRAWING NO
4 PLC ±N/A		Customer Drawing		A100779
ANGLES ±N/A		SCALE		2212305
FINISH		RESTRICTED TO		-
		SCALE		1:1
		SHEET		2
		OF		2
		REV		1