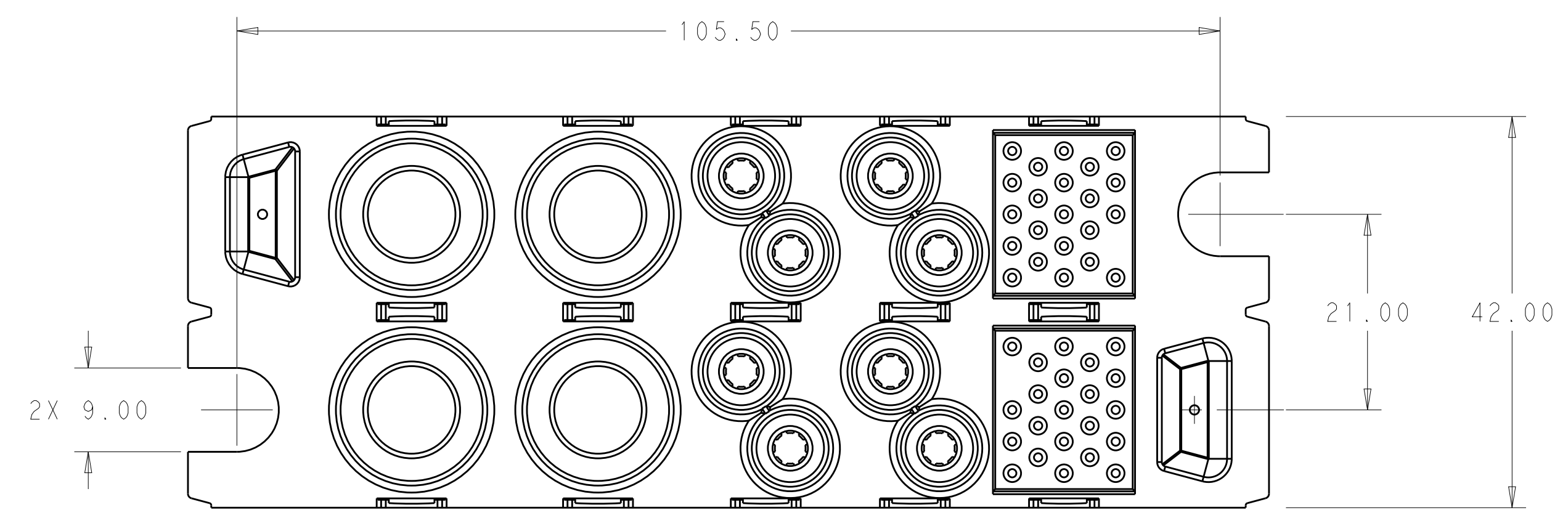
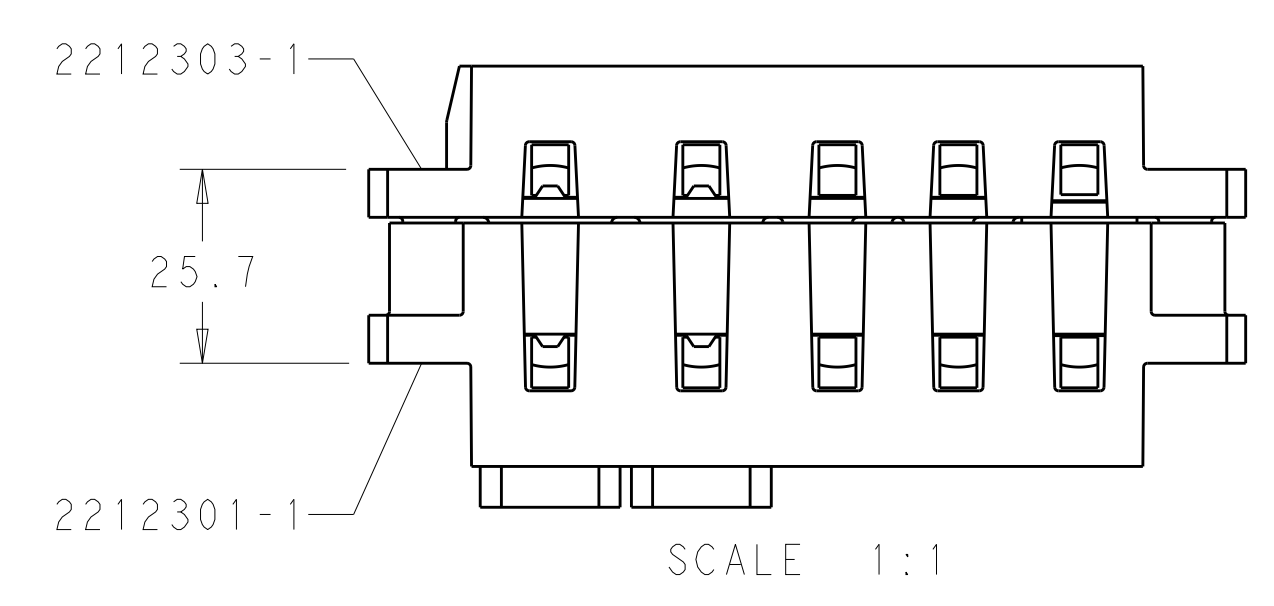
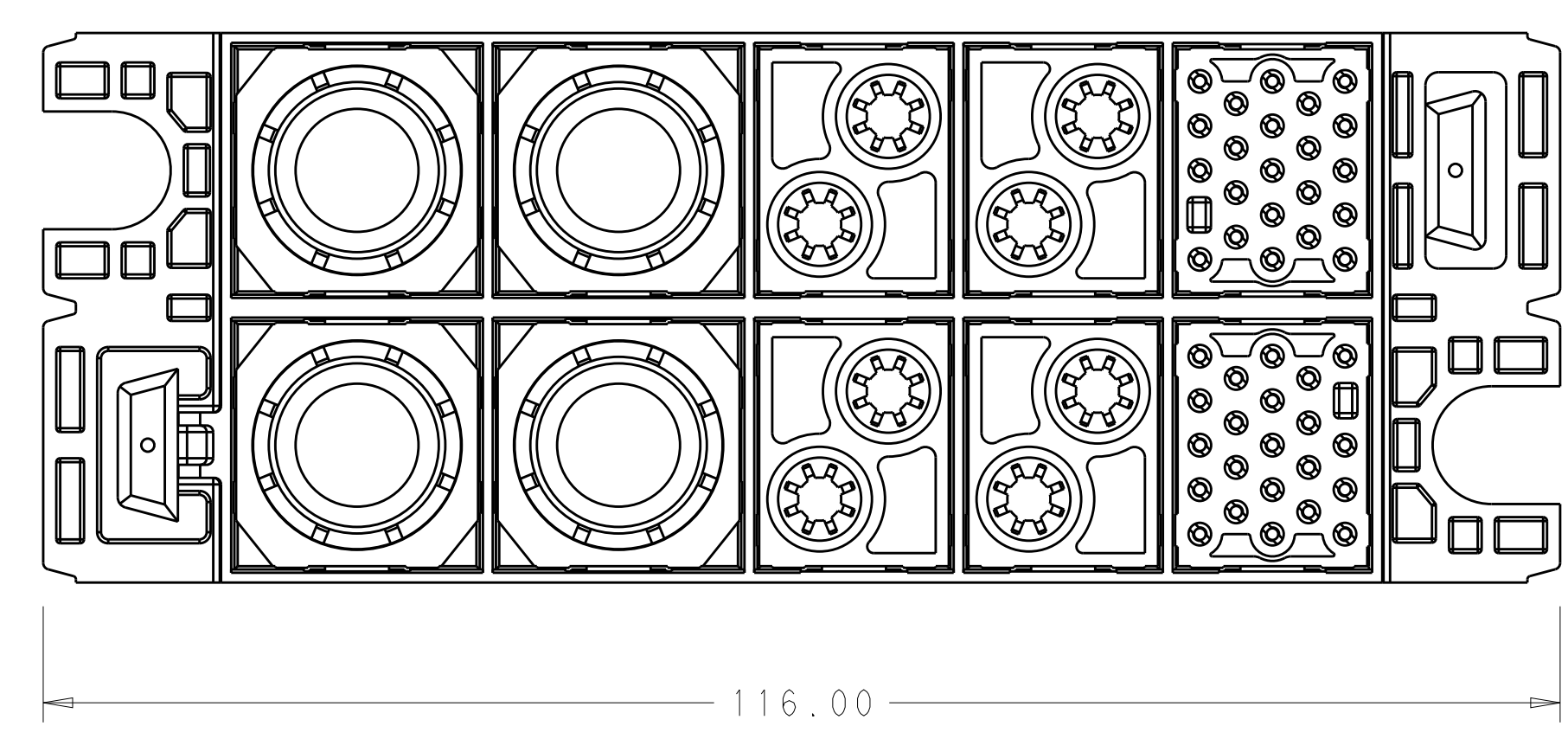
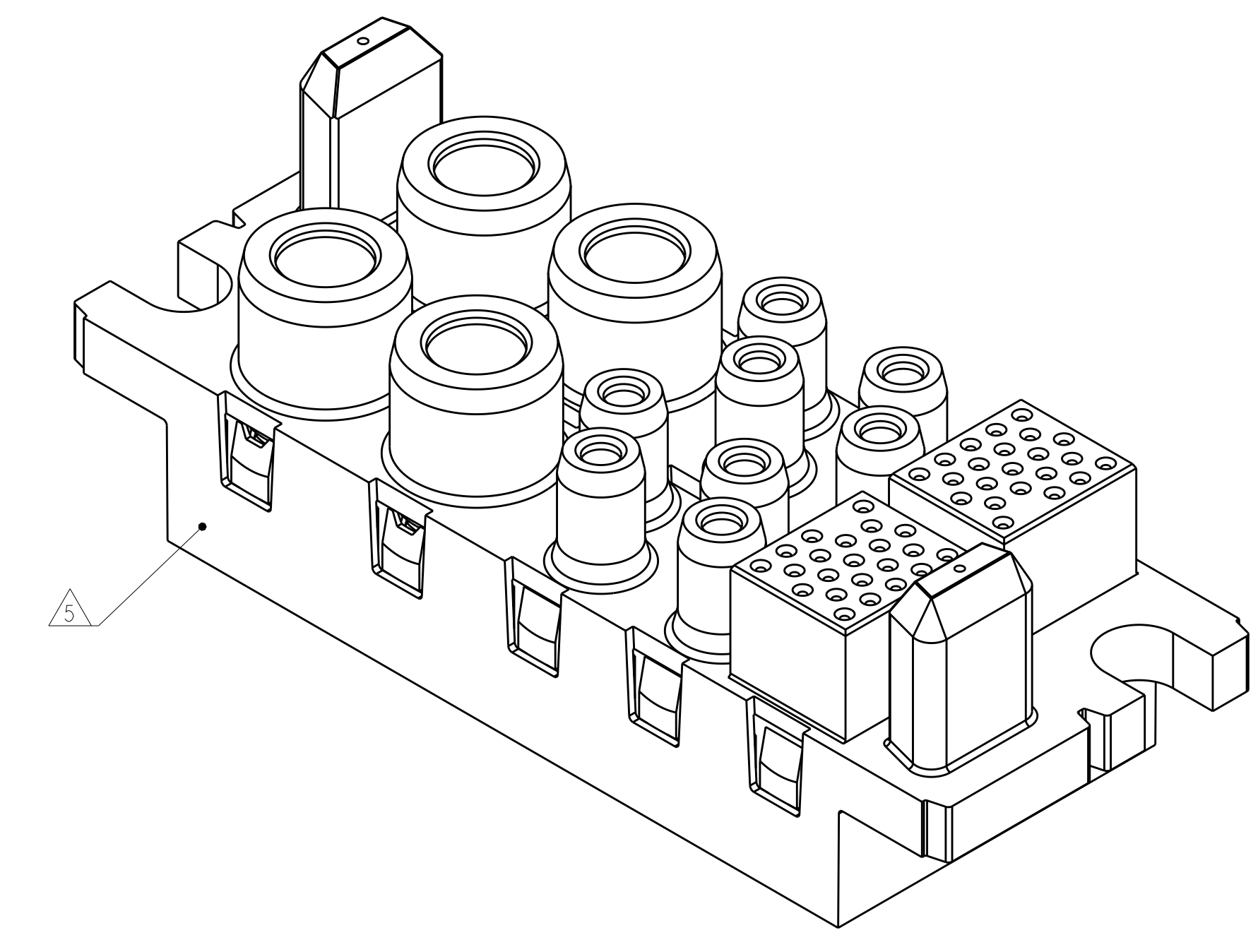
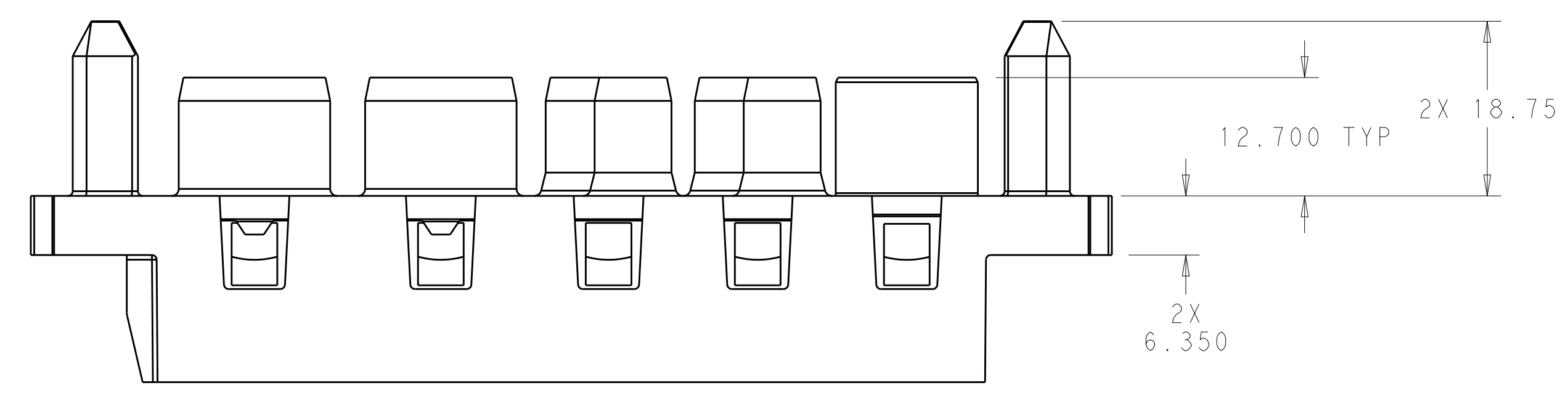
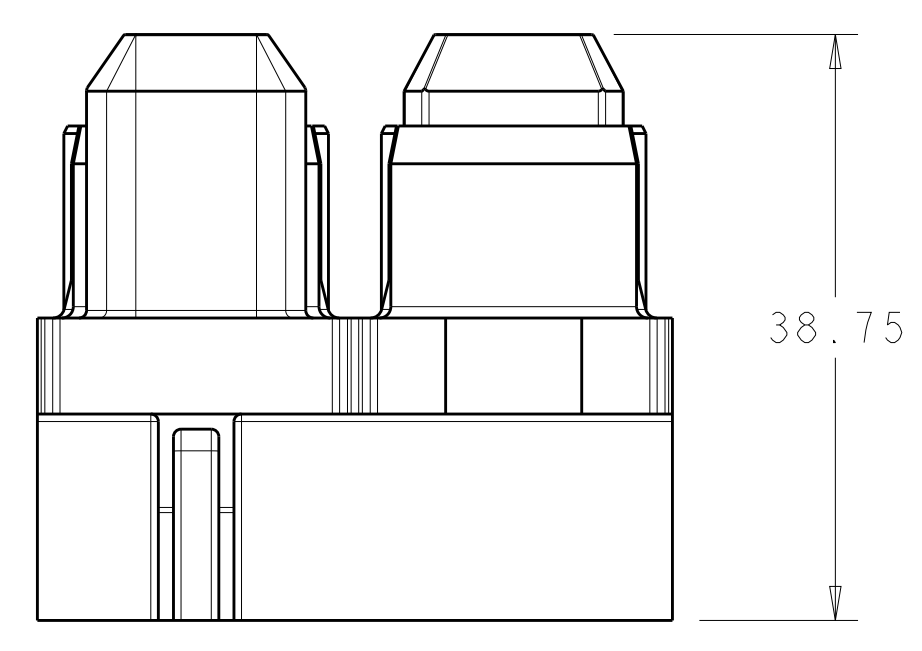


LOC		DIST		REVISIONS			
P	LTN	DESCRIPTION	DATE	DWN	APVD		
1		PROPOSED	10FEB2015	RT	EW		



- △ HOUSING: THERMOPLASTIC, COLOR BLACK, FLAMMABILITY RATING UL 94 V-0.
- △ THIS ASSEMBLY TO MATE WITH TEC PART NUMBER 2212301-1.
- 3. RECOMMENDED SHOULDER SCREW:  
 2212056, FLOAT MOUNT  
 2212055, FIXED MOUNT
- △ RECOMMENDED PANEL CUTOUT FOR FRONT PANEL MOUNT APPLICATION.  
 RECOMMENDED PANEL THICKNESS 1.5 TO 1.78.
- △ DATE CODE AND PART NUMBER IN APPROXIMATE AREA SHOWN.

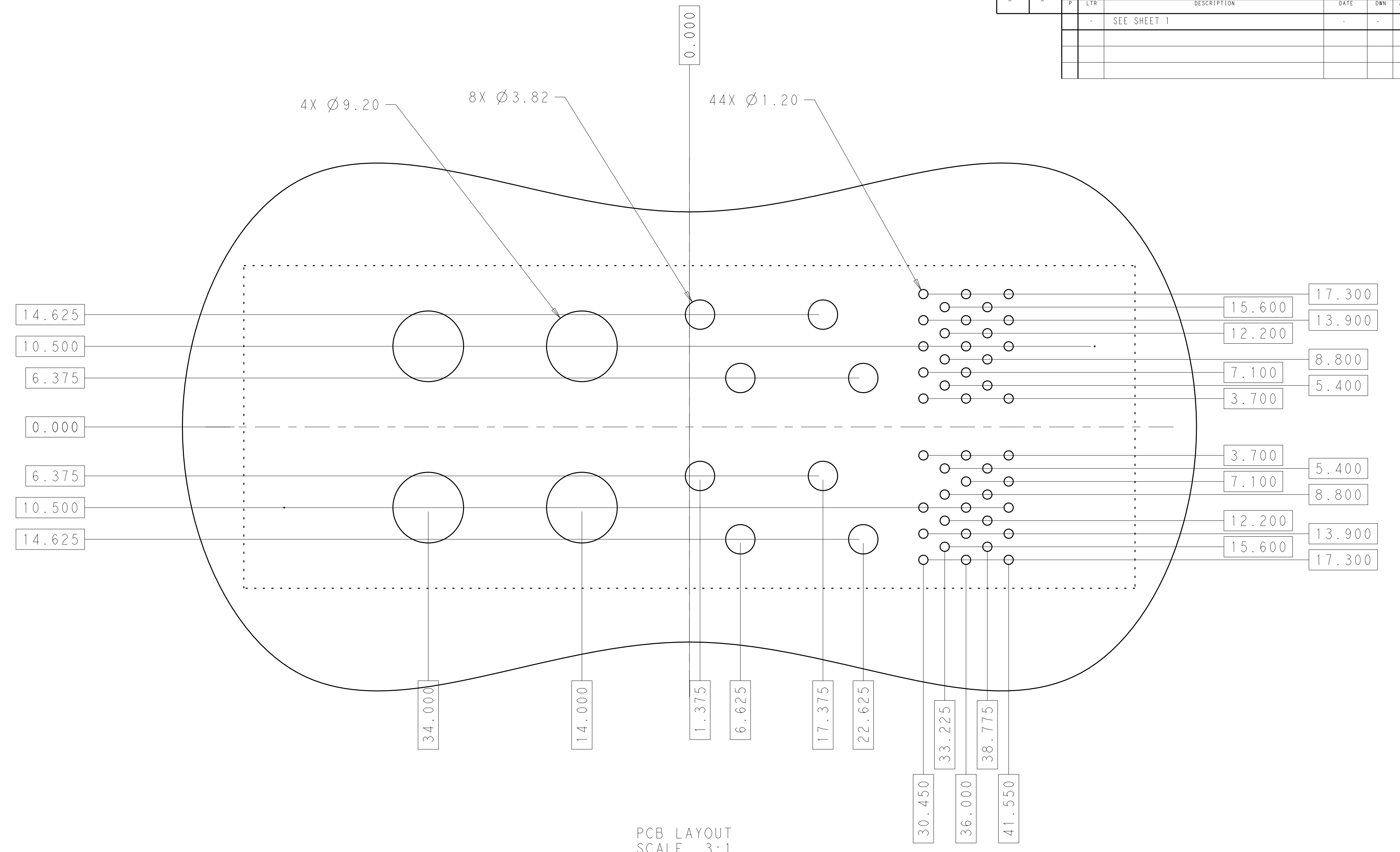


SCALE 1:1  
 FULLY MATED ASSEMBLIES △

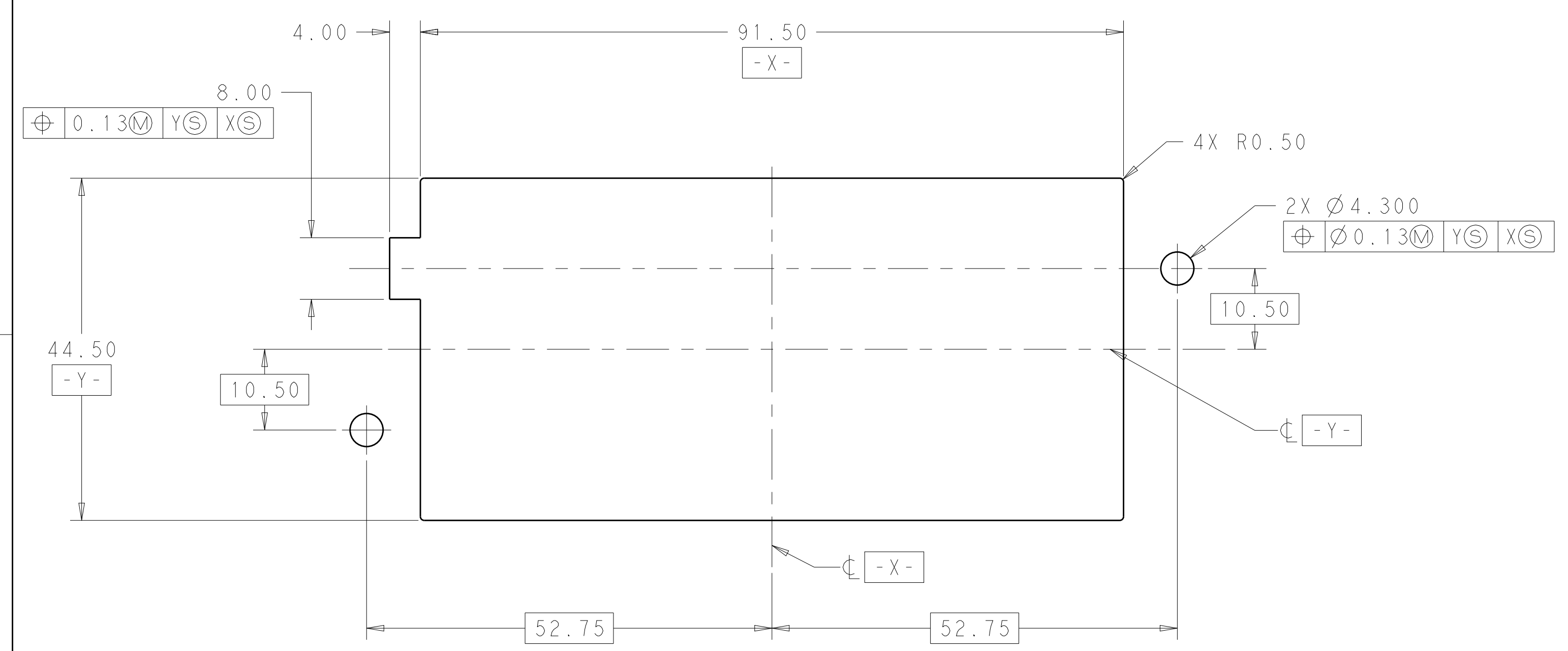
CONNECTOR, SOCKET, FORGE 4x#0,0x#4,4x#8,0x#12,2x#22,		2212303-1	
DESCRIPTION		PART NO.	
THIS DRAWING IS A CONTROLLED DOCUMENT.		DWN: R. TIRA 10FEB2015 CHK: E. WICKES 10FEB2015 APVD: D. ORRIS 10FEB2015	
DIMENSIONS: mm TOLERANCES UNLESS OTHERWISE SPECIFIED: 0 PLC ±N/A 1 PLC ±N/A 2 PLC ±0.25 3 PLC ±0.13 4 PLC ±N/A ANGLES ±N/A FINISH:		NAME: CONNECTOR, SOCKET, FORGE 4x#0,0x#4,4x#8,0x#12,2x#22 CONFIGURATION PRODUCT SPEC: 108-2323 APPLICATION SPEC: 114-13299 WEIGHT:	
MATERIAL: △		SIZE: A1 CAGE CODE: 00779 DRAWING NO: 2212303 RESTRICTED TO: Customer Drawing	
SCALE: 2:1		SHEET 1 OF 2 REV 1	

THIS PRINT IS  
**PRELIMINARY**  
 UNQUALIFIED PRODUCT  
 CONTACT PRODUCT ENGINEERING  
 BEFORE USING THIS PRINT

LOC	DIST	REV	DATE	BY	APPD
-	-	-	-	-	-
REVISIONS					
P. LTH		DESCRIPTION	DATE	BY	APPD
-		SEE SHEET 1	-	-	-



PCB LAYOUT  
SCALE 3:1



RECOMMENDED PANEL CUTOUT  
SCALE 2:1

THIS DRAWING IS A CONTROLLED DOCUMENT.		OWN: R. IRENA 10FEB2015	TE Connectivity
DIMENSIONS: mm		CHK: E. WICKES 10FEB2015	
TOLERANCES UNLESS OTHERWISE SPECIFIED:		APVD: D. ORRIS 10FEB2015	
0 PLC ±N/A 1 PLC ±N/A 2 PLC ±0.25 3 PLC ±0.13 4 PLC ±N/A ANGLES ±N/A FINISH ±N/A		NAME: CONNECTOR, SOCKET, FORGE 4x#0, 0x#4, 4x#8, 0x#12, 2x#22 CONFIGURATION PRODUCT SPEC: 108-2323 APPLICATION SPEC: 114-13299 WEIGHT: - Customer Drawing	
MATERIAL: -		SIZE: A1	CAGE CODE: 00779 DRAWING NO: 2212303 SCALE: 2:1 SHEET: 2 OF 2 REV: 1