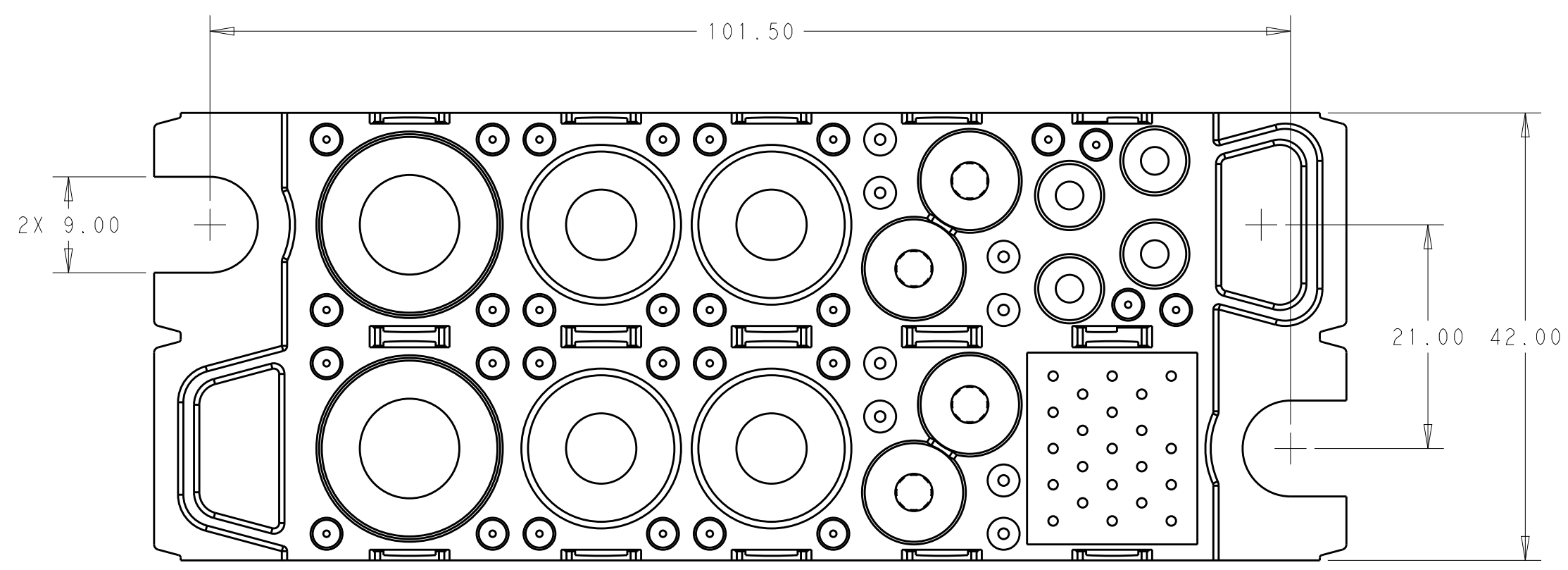
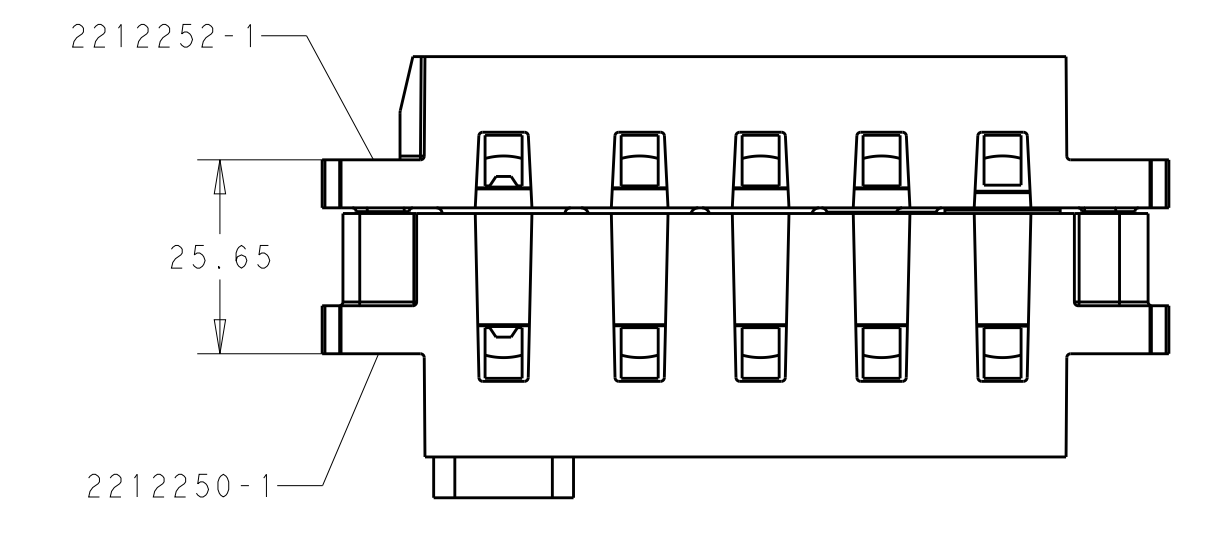
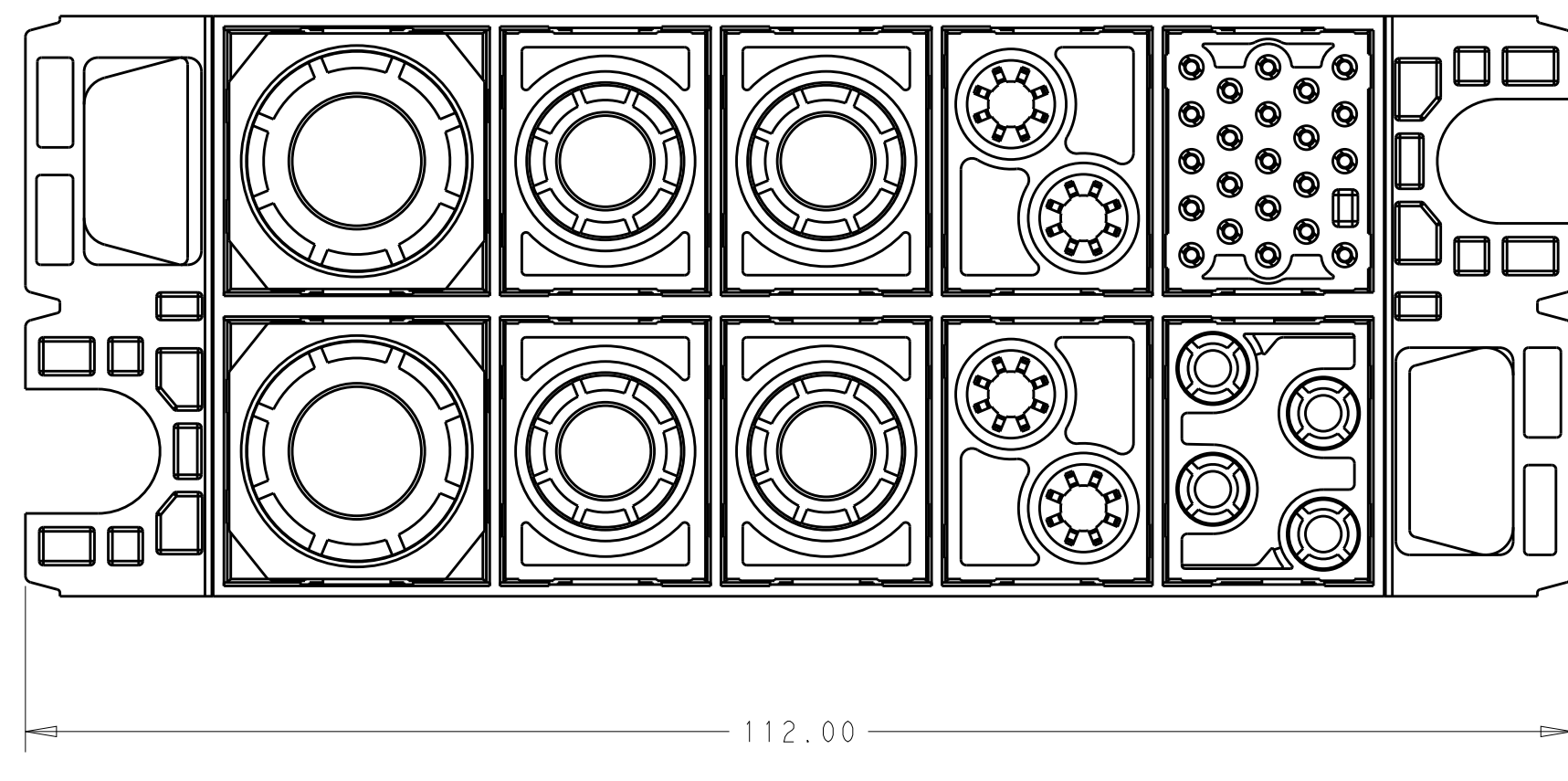
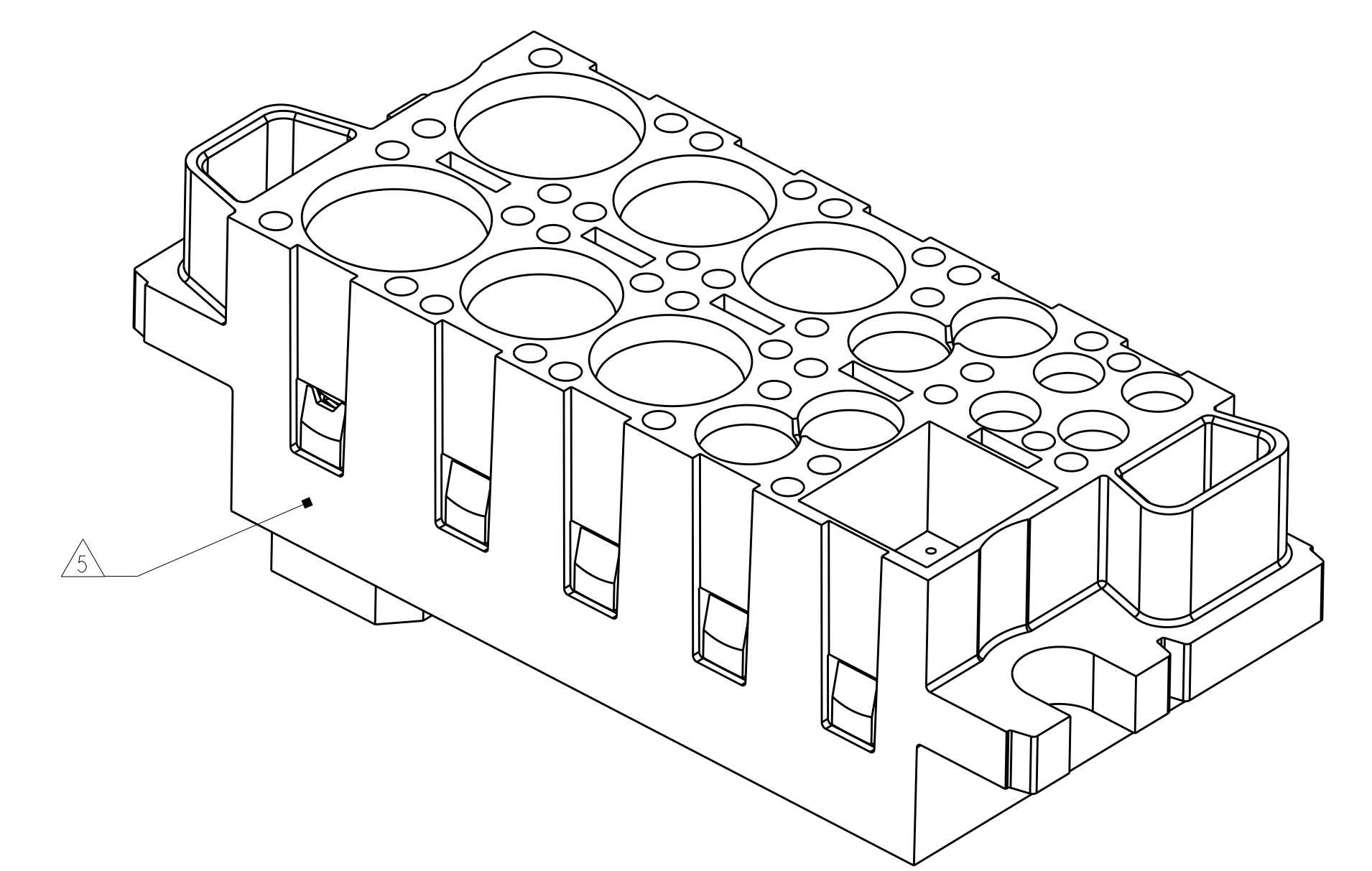
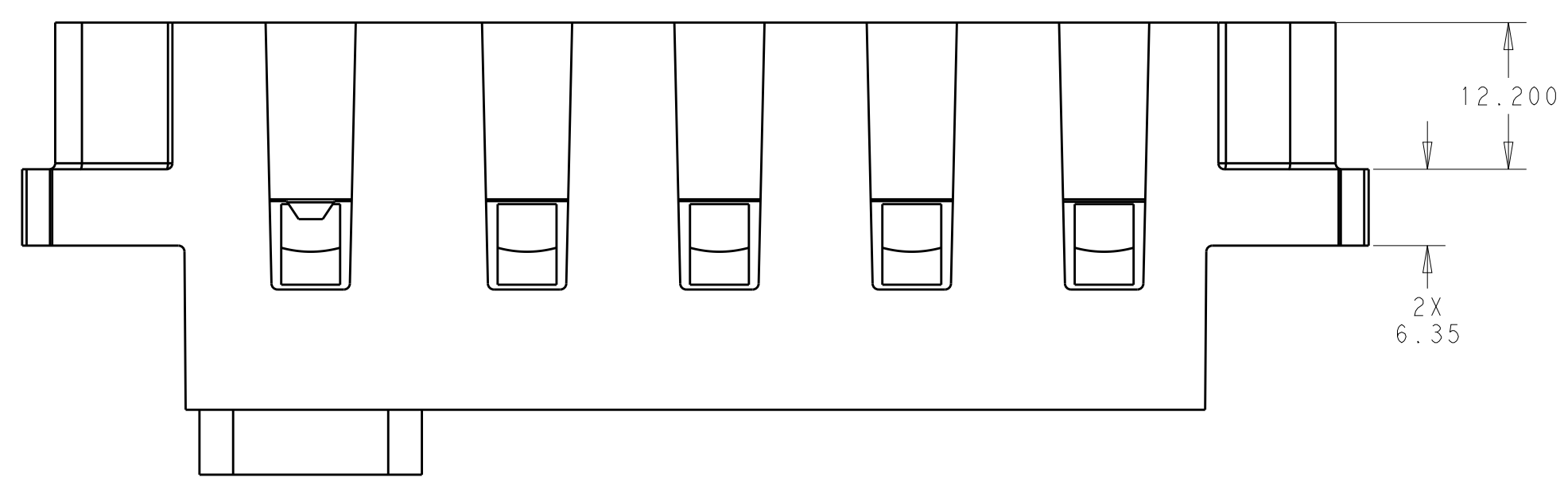
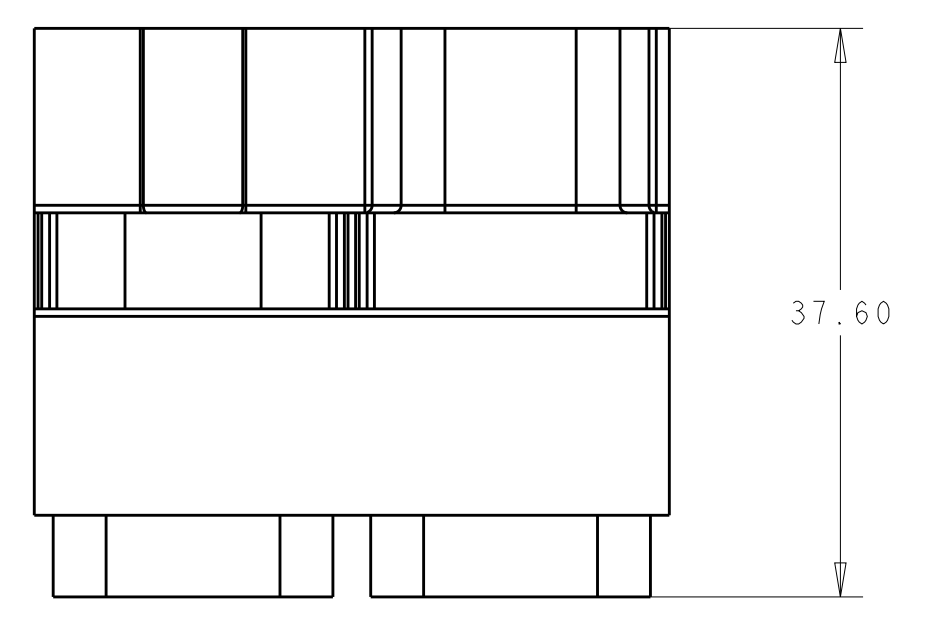


REVISIONS				
P.	LTN	DESCRIPTION	DATE	APPV



- 1 HOUSING: THERMOPLASTIC, COLOR BLACK, FLAMMABILITY RATING UL 94 V-0.
- 2 THIS ASSEMBLY TO MATE WITH TEC PART NUMBER 2212252-1.
- 3. RECOMMENDED SHOULDER SCREW:  
2212056, FLOAT MOUNT  
2212055, FIXED MOUNT
- 4 RECOMMENDED PANEL CUTOUT FOR FRONT PANEL MOUNT APPLICATION.  
RECOMMENDED PANEL THICKNESS 1.5 TO 1.78.
- 5 DATE CODE AND PART NUMBER IN APPROXIMATE AREA SHOWN.



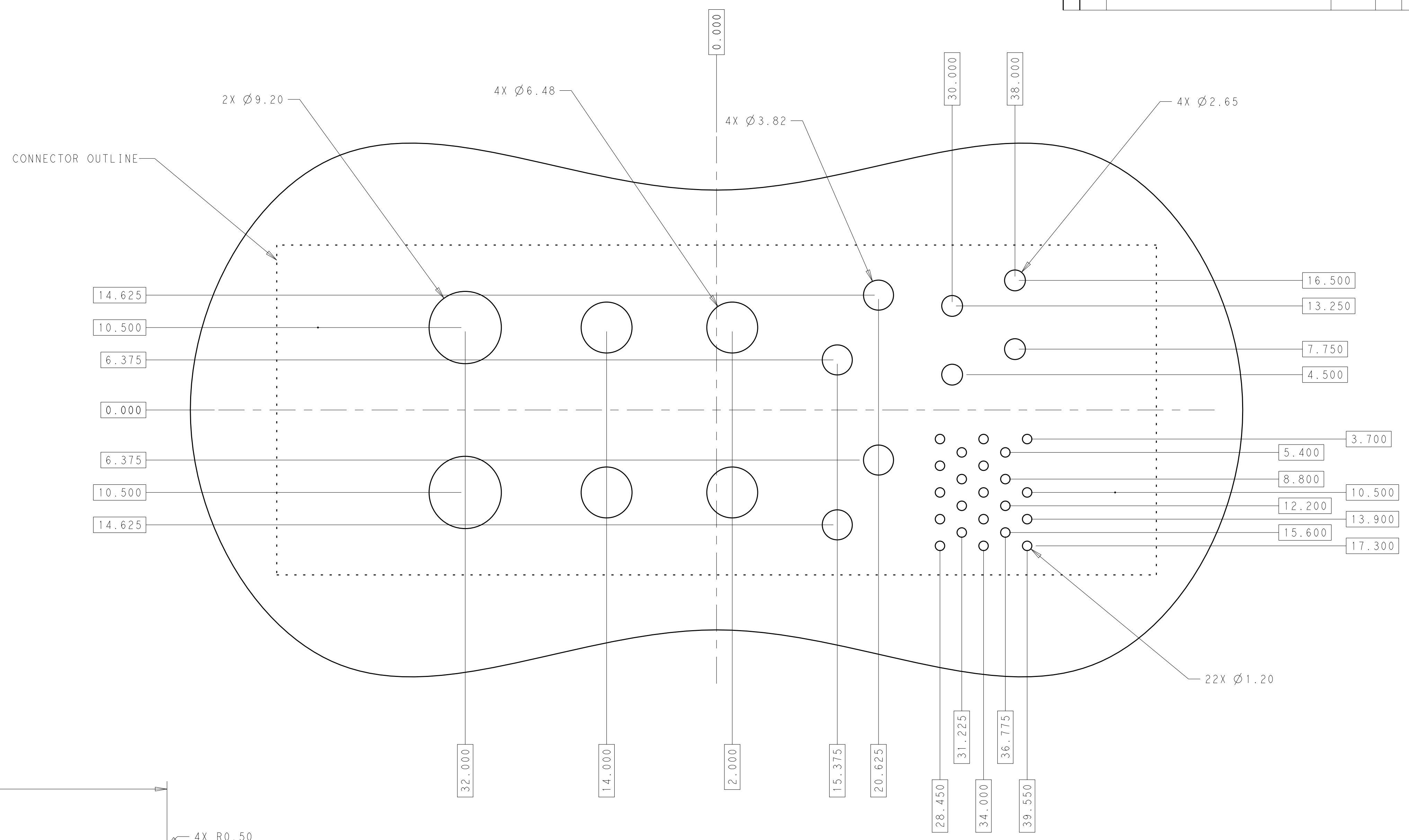
SCALE 1:1  
 FULLY MTD ASSEMBLIES

CONNECTOR, PIN, FORGE 2x#0,4x#4,2x#8,1x#12,1x#22,	2212250-1
DESCRIPTION	PART NO.

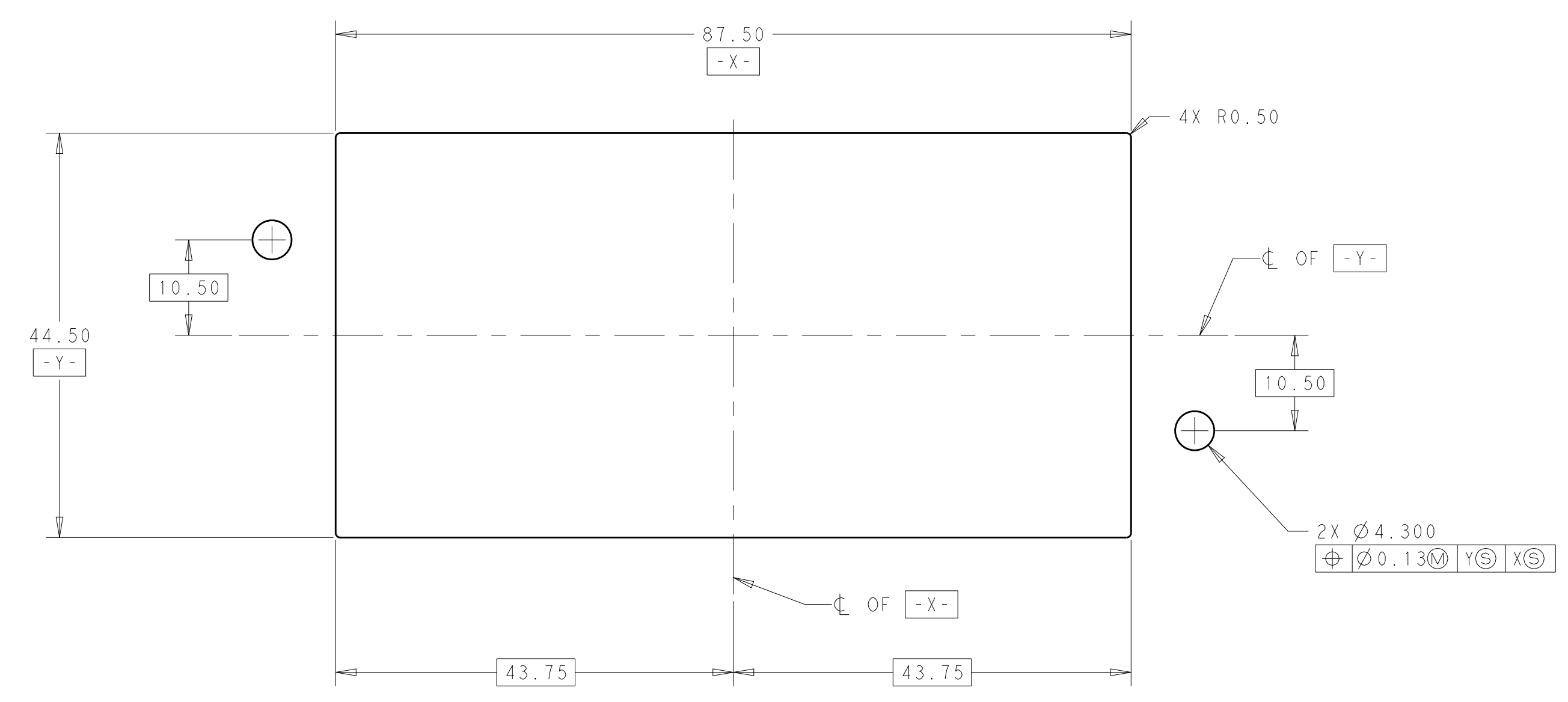
DESIGN APPROVED THIS PRINT IS  
**PRELIMINARY**  
 TO FIRST PIECE APPROVAL  
 CONTACT PRODUCT ENGINEERING  
 BEFORE USING THIS PRINT

THIS DRAWING IS A CONTROLLED DOCUMENT.		OWN: R. TREA 23JAN2015	TE Connectivity
DIMENSIONS: mm		CHK: E. WICKES 23JAN2015	
TOLERANCES UNLESS OTHERWISE SPECIFIED:		APPV: D. ORRIS 23JAN2015	NAME: CONNECTOR, PIN, FORGE 2x#0,4x#4,2x#8,1x#12,1x#22 CONFIGURATION
0 PLC ±N/A 1 PLC ±N/A 2 PLC ±0.25 3 PLC ±0.13 4 PLC ±N/A ANGLES ±N/A		PRODUCT SPEC: 108-2323 APPLICATION SPEC: 114-1399	
MATERIAL:		WEIGHT:	RESTRICTED TO:
FINISH:		SCALE: 2:1	SHEET 1 OF 2
CUSTOMER DRAWING		DRAWING NO: A1	REV 1

REVISIONS				
P.	LTN	DESCRIPTION	DATE	APP'D
-	-	SEE SHEET 1	-	-



PCB LAYOUT  
SCALE 3:1



RECOMMENDED PANEL CUTOUT  
SCALE 2:1

THIS DRAWING IS A CONTROLLED DOCUMENT.		OWN: R. IRENA 23JAN2015	TE Connectivity
DIMENSIONS: mm		CHK: E. WICKES 23JAN2015	
TOLERANCES UNLESS OTHERWISE SPECIFIED:		APP'D: D. ORRIS 23JAN2015	NAME: CONNECTOR, PIN, FORGE
0 PLC	±N/A	PRODUCT SPEC	2x#0, 4x#4, 2x#8, 1x#12, 1x#22
1 PLC	±N/A	108-2323	CONFIGURATION
2 PLC	±0.25	APPLICATION SPEC	
3 PLC	±0.13	114-1399	
4 PLC	±N/A	WEIGHT	
ANGLES		114-1399	
MATERIAL		CUSTOMER DRAWING	
FINISH		SCALE 2:1	SHEET 2 OF 2
		SIZE A1	REV 1