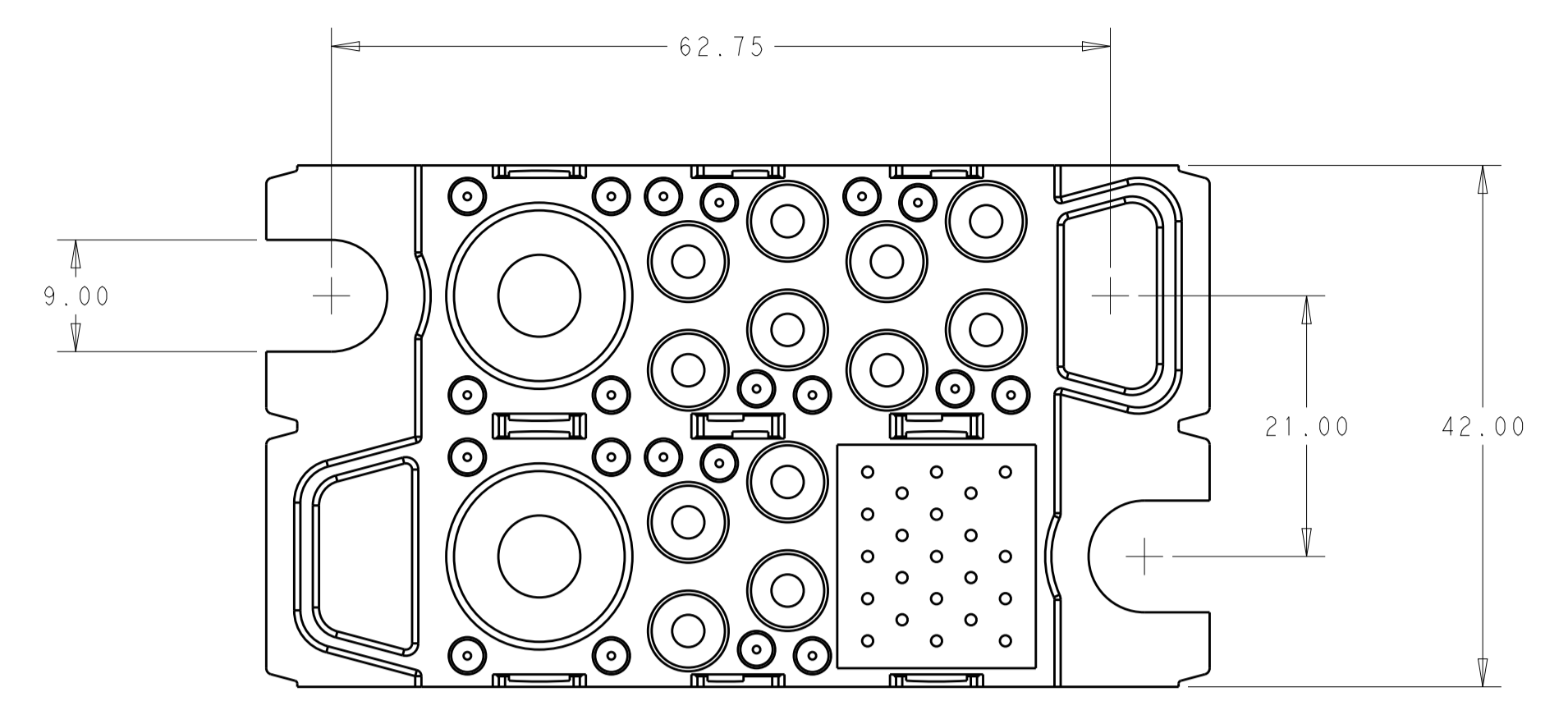
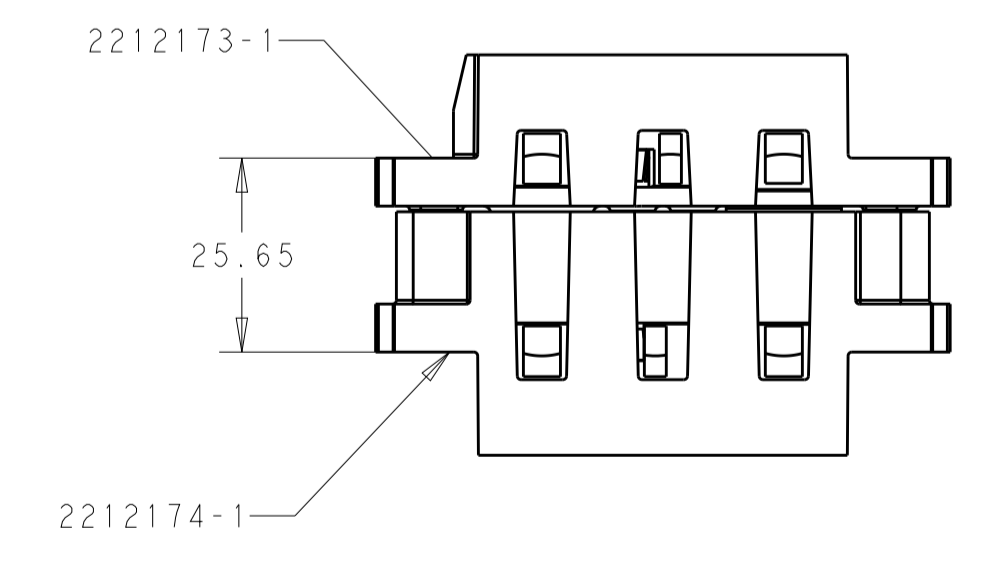
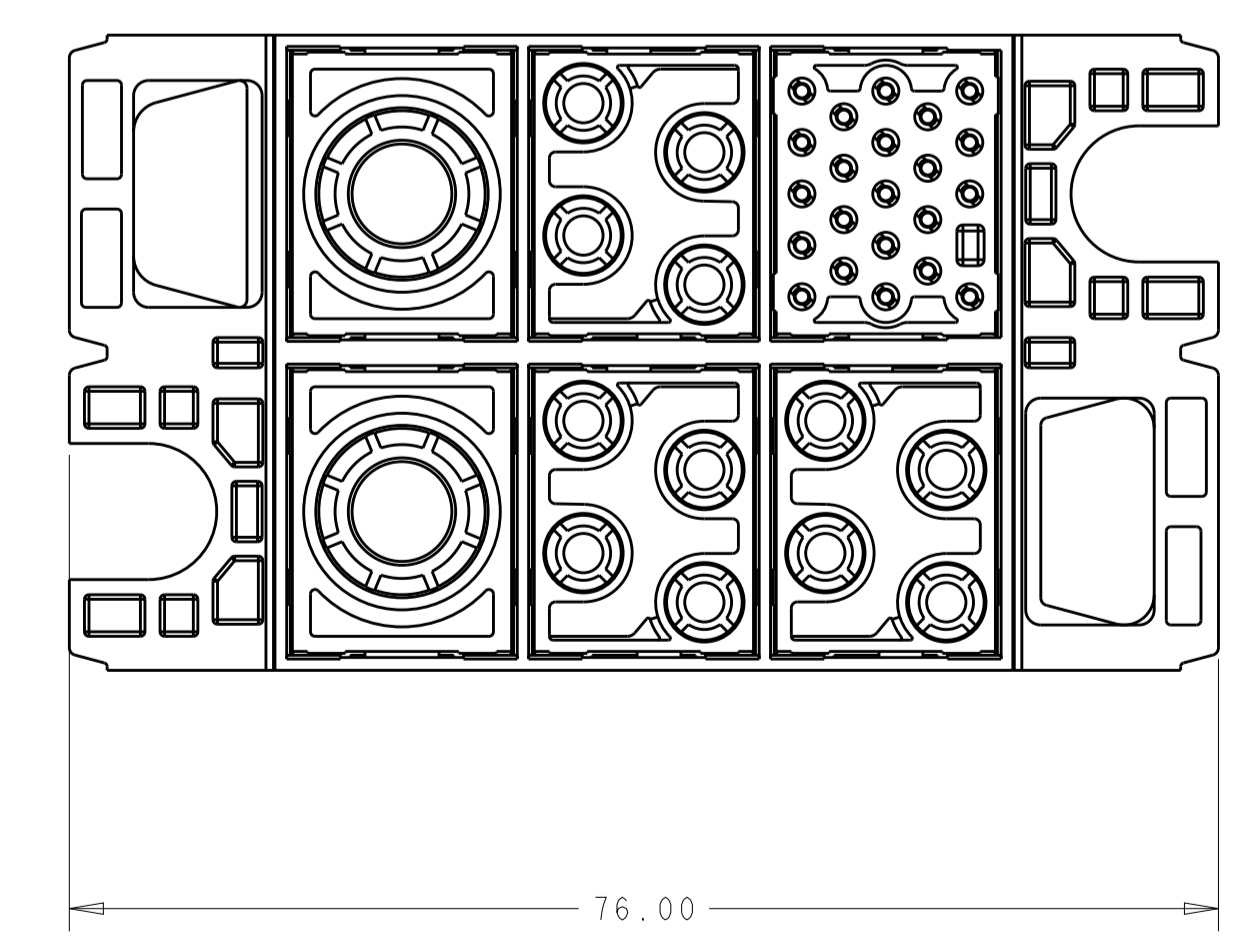
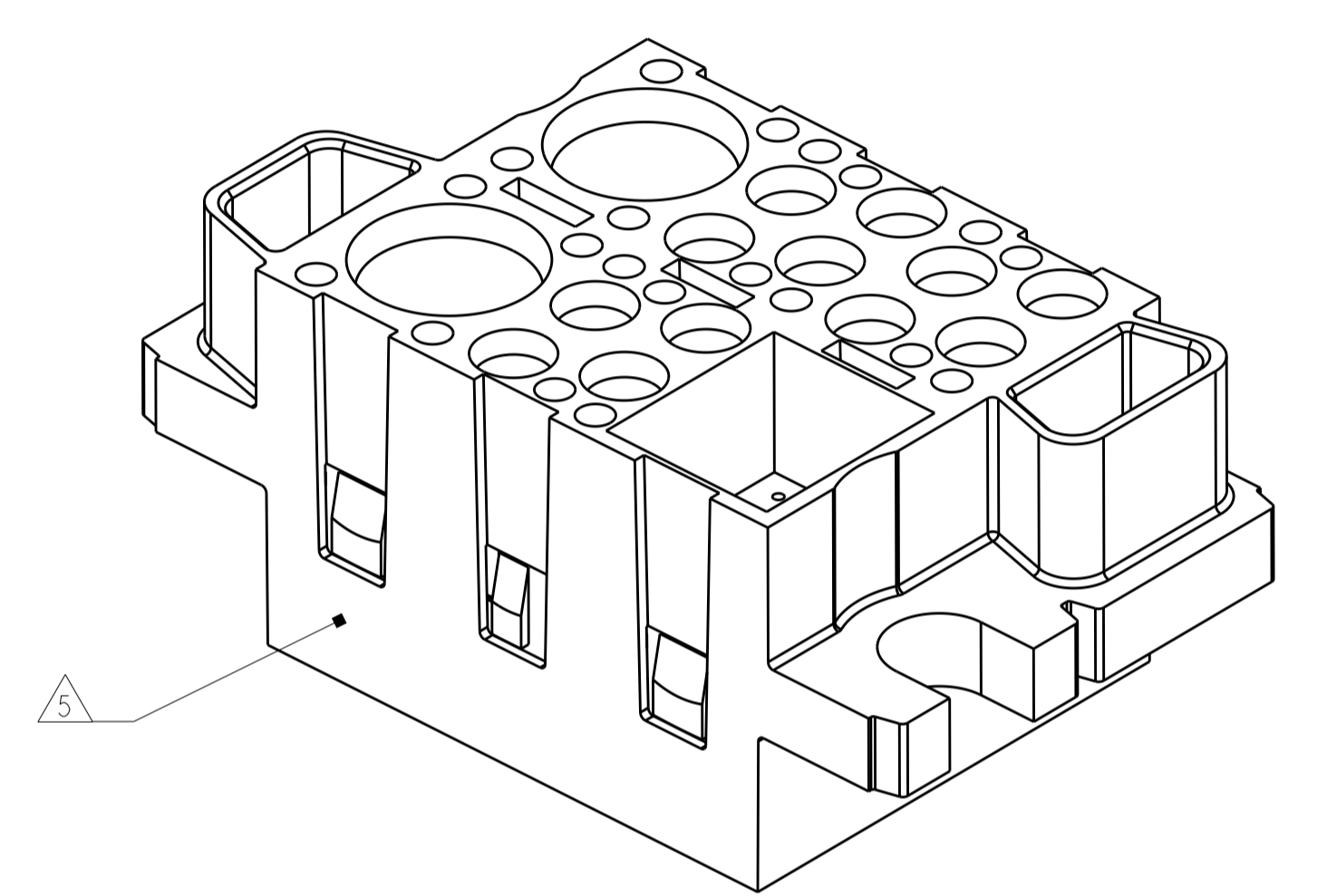
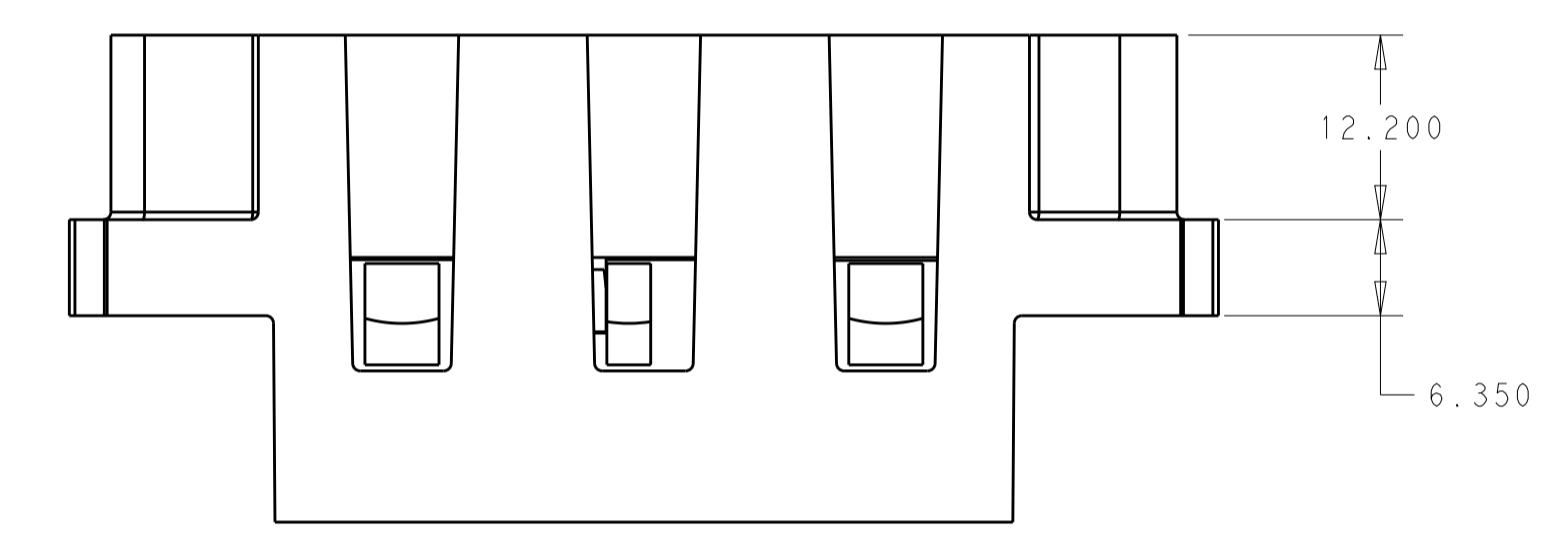
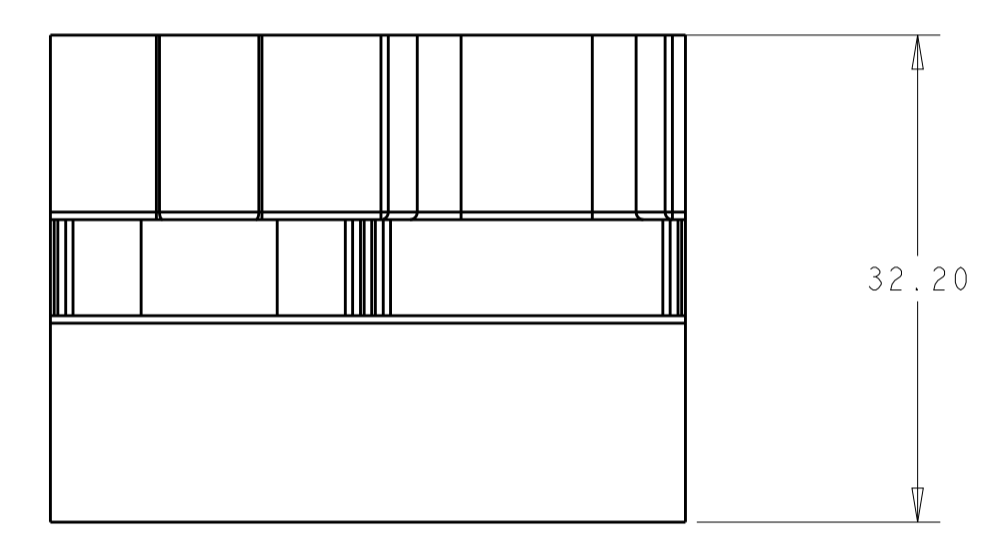


REVISIONS				
P.	LTN	DESCRIPTION	DATE	APP'D

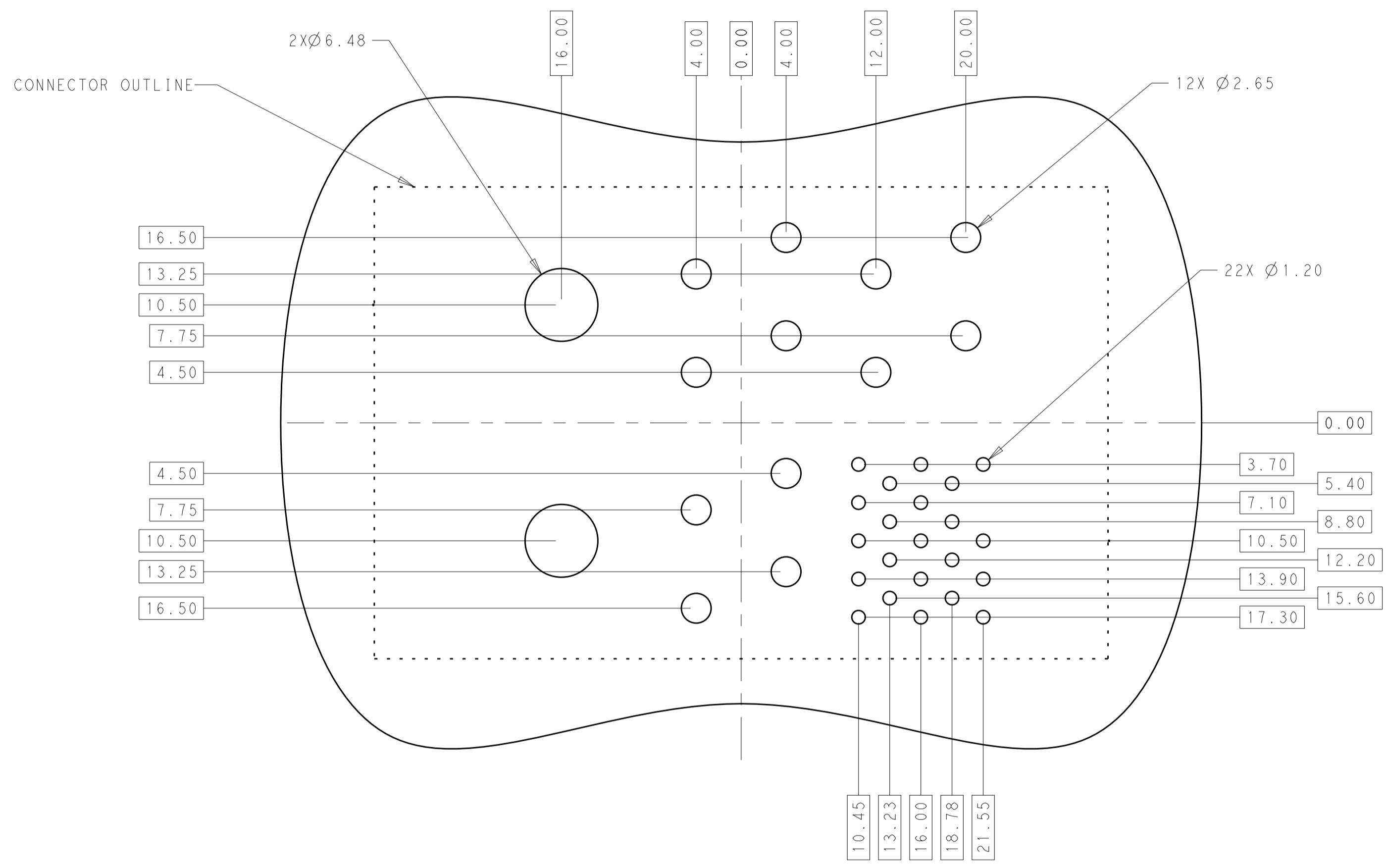


- ① HOUSING: THERMOPLASTIC, COLOR BLACK, FLAMMABILITY RATING UL 94 V-0.
- ② THIS ASSEMBLY TO MATE WITH TEC PART NUMBER ***.
- 3. RECOMMENDED SHOULDER SCREW:
2212056, FLOAT MOUNT
2212055, FIXED MOUNT
- ④ RECOMMENDED PANEL CUTOUT FOR FRONT PANEL MOUNT APPLICATION.
RECOMMENDED PANEL THICKNESS 1.5 TO 1.78.
- ⑤ DATE CODE AND PART NUMBER IN APPROXIMATE AREA SHOWN.

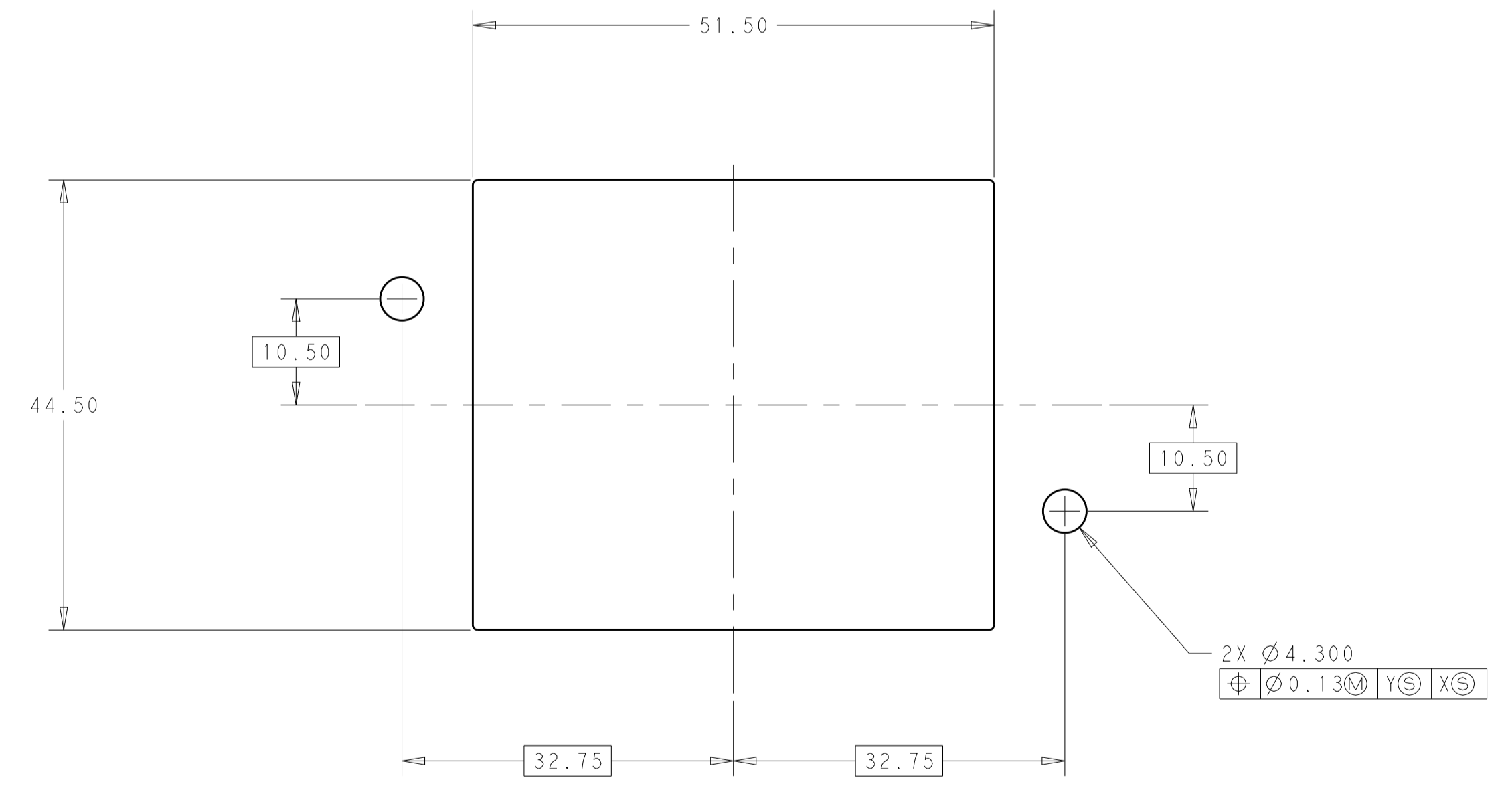


CONNECTOR, PIN, FORGE 0x#0, 2x#4, 0x#8, 3x#12, 1x#22,		2212174-1	
DESCRIPTION		PART NO.	
THIS DRAWING IS A CONTROLLED DOCUMENT.		OWN R. TREA 29JAN2015	TE Connectivity
DIMENSIONS: mm [INCHES]		CHK E. WICKES 29JAN2015	
TOLERANCES UNLESS OTHERWISE SPECIFIED:		APP'D S. ORRIS 29JAN2015	
0 PLC ±.2 2 PLC ±0.30 3 PLC ±0.130 4 PLC ±0.0001 ANGLES ±.		NAME CONNECTOR, PIN, FORGE 0x#0, 2x#4, 0x#8, 3x#12, 1x#22 PRODUCT SPEC 108-2323 APPLICATION SPEC 114-13299 WEIGHT - CUSTOMER DRAWING	
MATERIAL TBD	FINISH -	SIZE A1	RESTRICTED TO -
SCALE 1:1		SHEET 1	OF 2
		REV 1	

REVISIONS				
P.	LTR.	DESCRIPTION	DATE	APVD.
-	-	SEE SHEET 1	-	-



PCB LAYOUT
SCALE 3:1



RECOMMENDED PANEL LAYOUT
SCALE 2:1

THIS DRAWING IS A CONTROLLED DOCUMENT.		OWN R. IREA	29JAN2015	TE Connectivity
DIMENSIONS: mm [INCHES]		CHK E. WICKES	29JAN2015	
TOLERANCES UNLESS OTHERWISE SPECIFIED:		APVD S. ORRIS	29JAN2015	NAME CONNECTOR, PIN, FORGE
0 PLC ±0.2	1 PLC ±0.30	PRODUCT SPEC 108-2323		0x#0, 2x#4, 0x#8, 3x#12, 1x#22
2 PLC ±0.130	3 PLC ±0.0001	APPLICATION SPEC		SIZE A1
4 PLC ±0.0001	ANGLES ±0.0001	114-13299		CAGE CODE C=2212174
MATERIAL TBD	FINISH	WEIGHT		RESTRICTED TO
CUSTOMER DRAWING		SCALE 1:1		SHEET 2 OF 2
		REV 1		