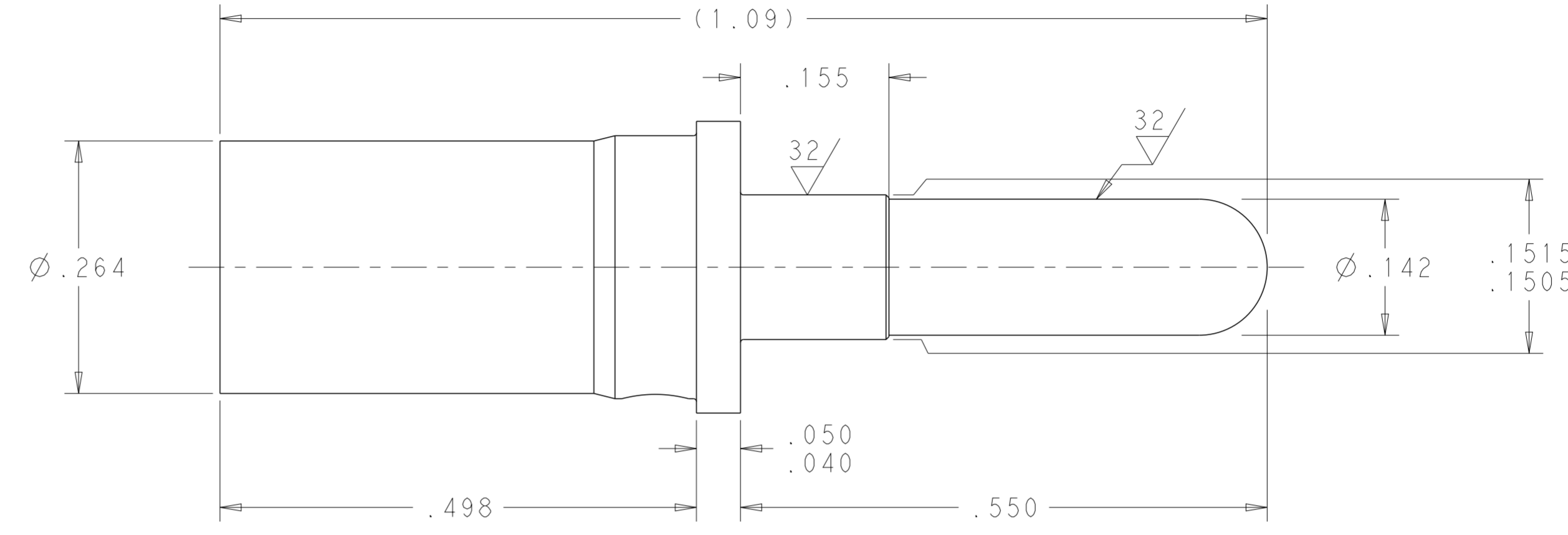
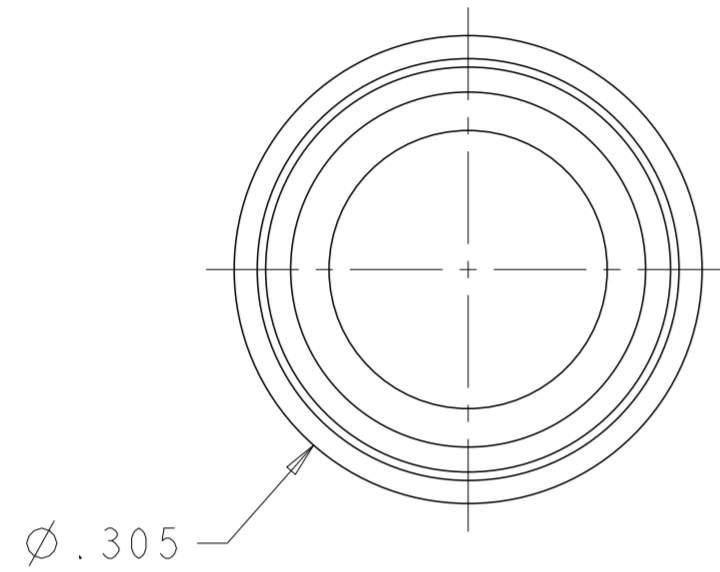
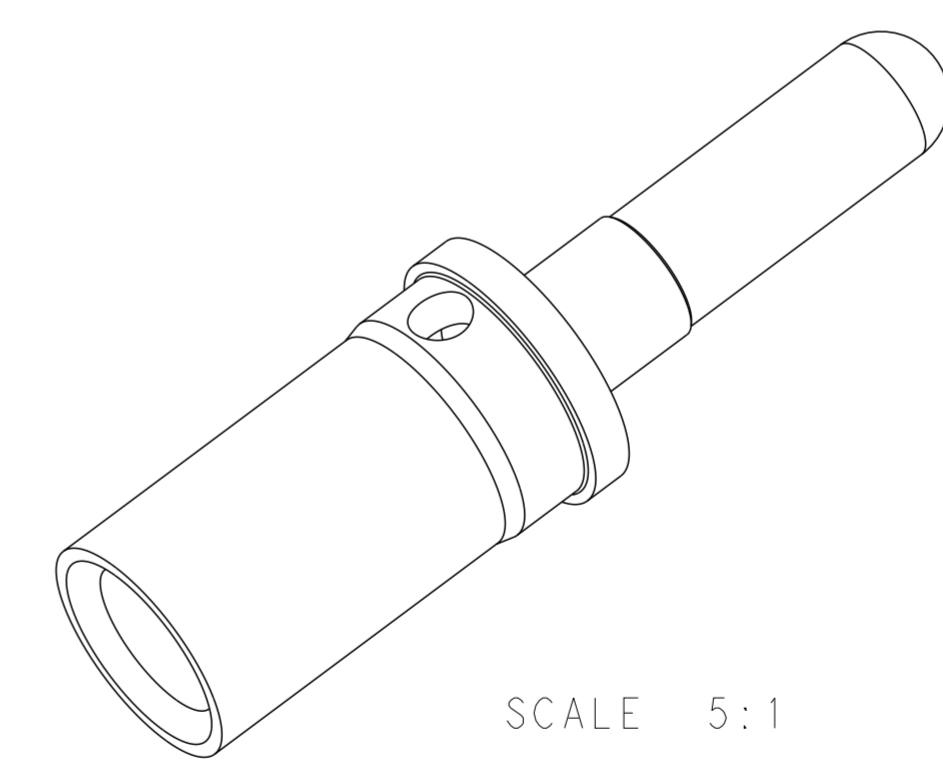


THIS DRAWING IS UNPUBLISHED. RELEASED FOR PUBLICATION 20
 © COPYRIGHT 20 BY - ALL RIGHTS RESERVED.

LOC		DIST		REVISIONS			
P	LTR	DESCRIPTION	DATE	DWN	APVD		
	B	REVISED PER ECO-13-005777	04APR2013	KH	DO		



- PART NUMBER CHANGES AND OR DESIGN CHANGES AFFECTING THE INTERCHANGEABILITY REQUIRE PRIOR TO APPROVAL AND AUTHORIZATION BY REVISION TO THIS DRAWING.
- MATERIAL: COPPER ALLOY
- FINISH: SILVER PLATE .000200 MIN THK. OVER NICKEL .000050 MIN. THK.
- ITEMS PROVIDED TO THIS SPECIFICATION TO BE PERMANENTLY IDENTIFIED ON THE CONTAINER WITH THE FOLLOWING IDENTIFIER:



SCALE 5:1

TE PART NO. _____ DATE CODE (e.g. 0216) _____
 XXXXXXXX-X XXXX

YEAR WEEK

2212099-1
 PART NUMBER

THIS DRAWING IS A CONTROLLED DOCUMENT.		DWN S. WELDON 02JAN2013	STE TE Connectivity	
DIMENSIONS: INCHES		CHK D. ORRIS 02JAN2013		
TOLERANCES UNLESS OTHERWISE SPECIFIED:		APVD D. ORRIS 02JAN2013	NAME PIN CONTACT, SIZE 8, REMOVABLE, .430 FRONT EXT, SPECIAL	
0 PLC ±		PRODUCT SPEC -	SIZE CAGE CODE DRAWING NO RESTRICTED TO	
1 PLC ±		APPLICATION SPEC -	A200779 C-2212099	
2 PLC ±.020		WEIGHT -	SCALE 8:1 SHEET 1 OF 1 REV B	
3 PLC ±.010		Customer Drawing		
4 PLC ±				
ANGLES ±3°				
FINISH				
2		3		