

THIS DRAWING IS UNPUBLISHED.

RELEASED FOR PUBLICATION

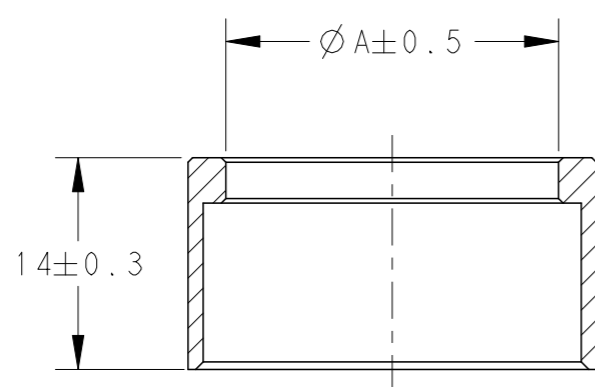
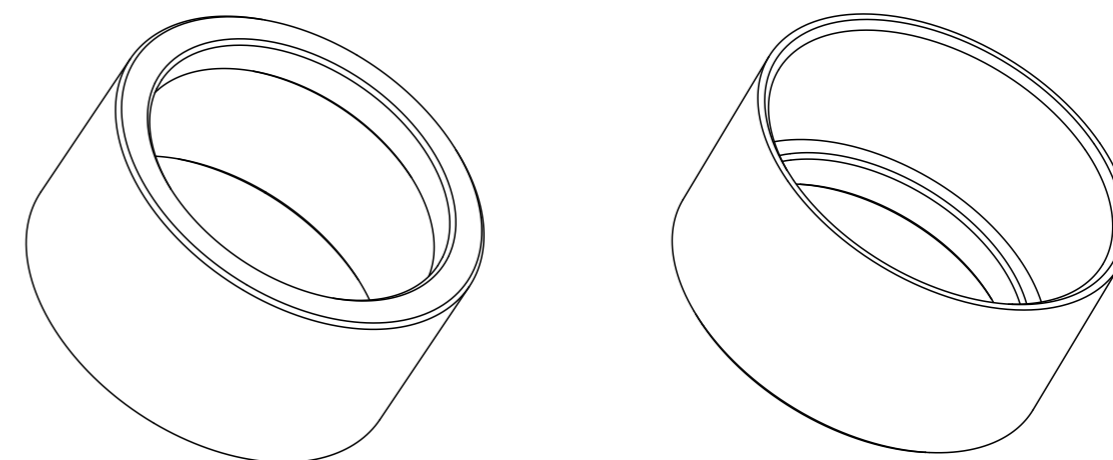
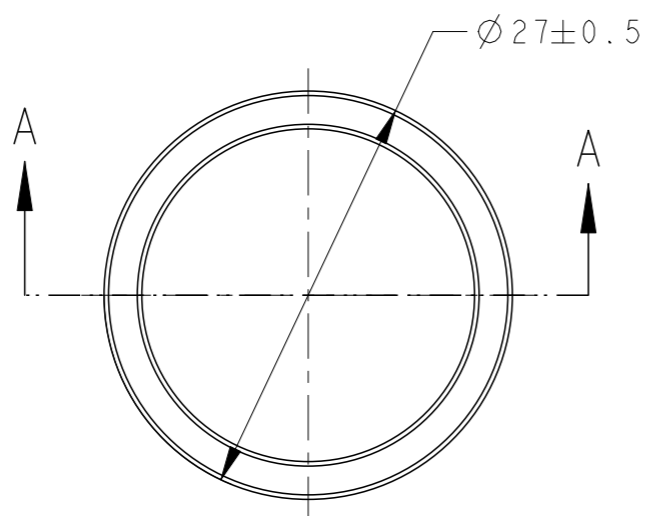
20

© COPYRIGHT 20 BY -

ALL RIGHTS RESERVED.

REVISIONS

| P | LTR | DESCRIPTION | DATE    | DWN | APVD |
|---|-----|-------------|---------|-----|------|
|   | A   | RELEASED    | 15AUG16 | JL  | IY   |
|   |     |             |         |     |      |
|   |     |             |         |     |      |


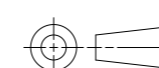


A - A

NOTES:

- 1. MATERIAL: ALUMINUM ALLOY.
- 2. PACKAGING: BULK PACKAGING IN PLASTIC BAG AND SHIPPING BOX

|             |                   |          |    |
|-------------|-------------------|----------|----|
| 2209388-2   | SHIELDING FERRULE | 1        | 22 |
| 2209388-1   | SHIELDING FERRULE | 1        | 19 |
| TE PART NO. | DESCRIPTION       | MATERIAL | A  |

|  |  |                          |   |                    |                         |
|--|--|--------------------------|---|--------------------|-------------------------|
| THIS DRAWING IS A CONTROLLED DOCUMENT.   |  | DWN<br>J.LI<br>19NOV2015 |  TE Connectivity |                    |                         |
| DIMENSIONS:<br>mm  |  | CHK<br>XX.LI<br>23DEC15  |   |                    |                         |
|   |  | APVD<br>I.YIN<br>15AUG16 | NAME<br>SHIELDING FERRULE   |                    |                         |
| TOLERANCES UNLESS OTHERWISE SPECIFIED:<br>$\pm 0.3$<br>0 PLC $\pm 0.3$<br>1 PLC $\pm 0.5$<br>2 PLC $\pm 0.13$<br>3 PLC $\pm 0.013$<br>4 PLC $\pm 0.0001$<br>ANGLES $\pm$<br>FINISH - |  | PRODUCT SPEC<br>-        | RESTRICTED TO<br>-  |                    |                         |
| MATERIAL -   |  | APPLICATION SPEC<br>-    | SIZE<br>A3  | CAGE CODE<br>00779 | DRAWING NO<br>G-2209388 |
|  |  | WEIGHT<br>-              | SCALE<br>2:1  |                    |                         |
|  |  | CUSTOMER DRAWING         | SHEET 1 OF 1  |                    |                         |
|  |  |                          | REV A   |                    |                         |