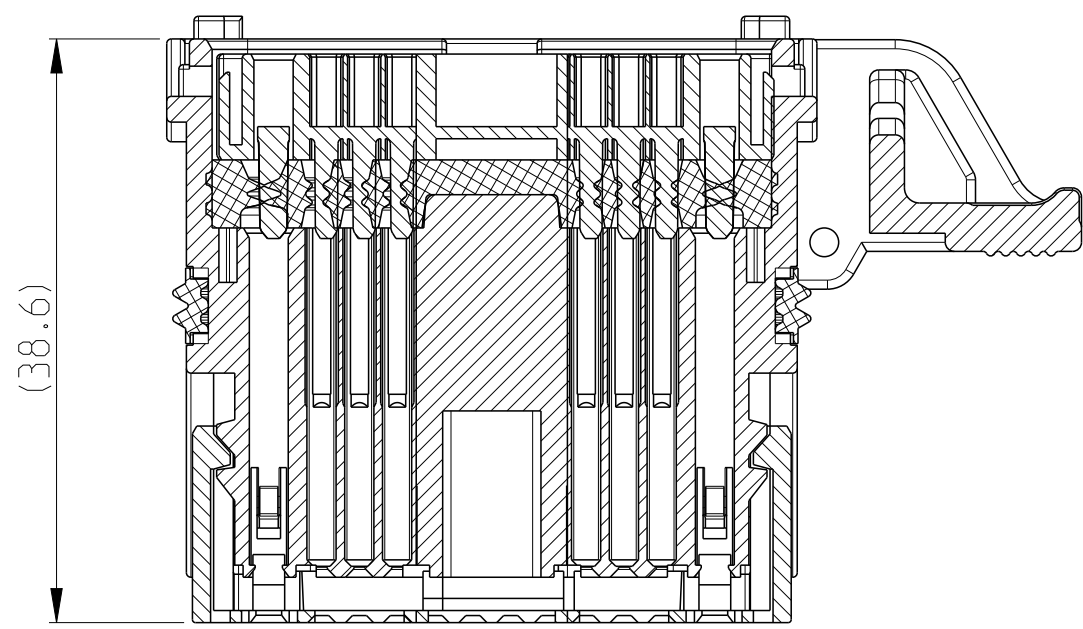
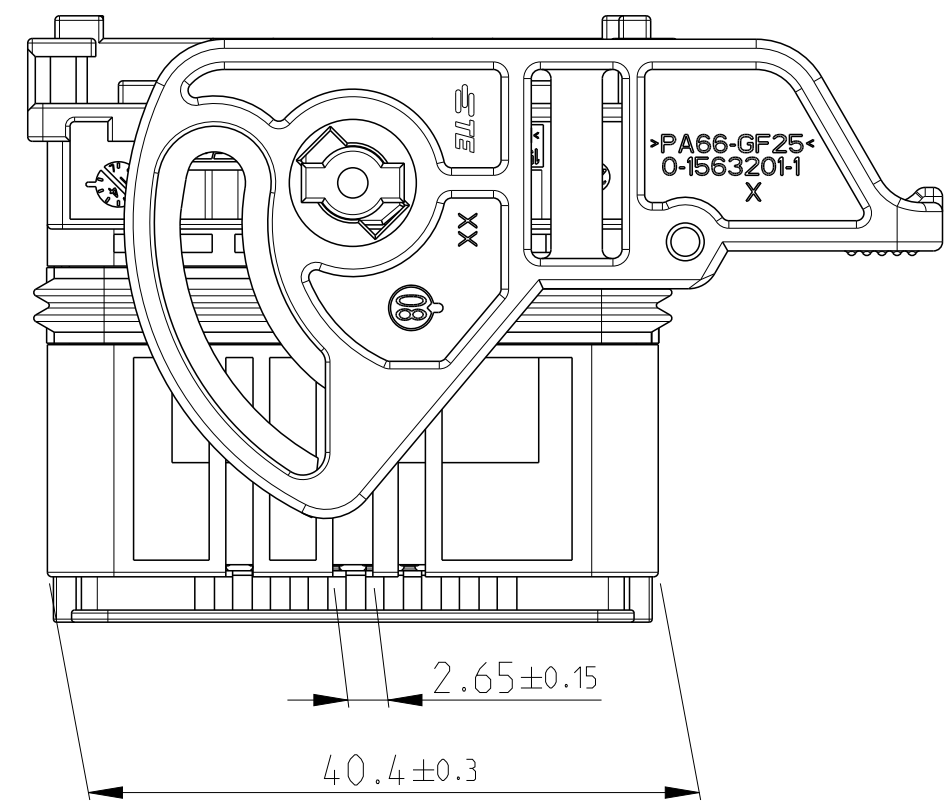
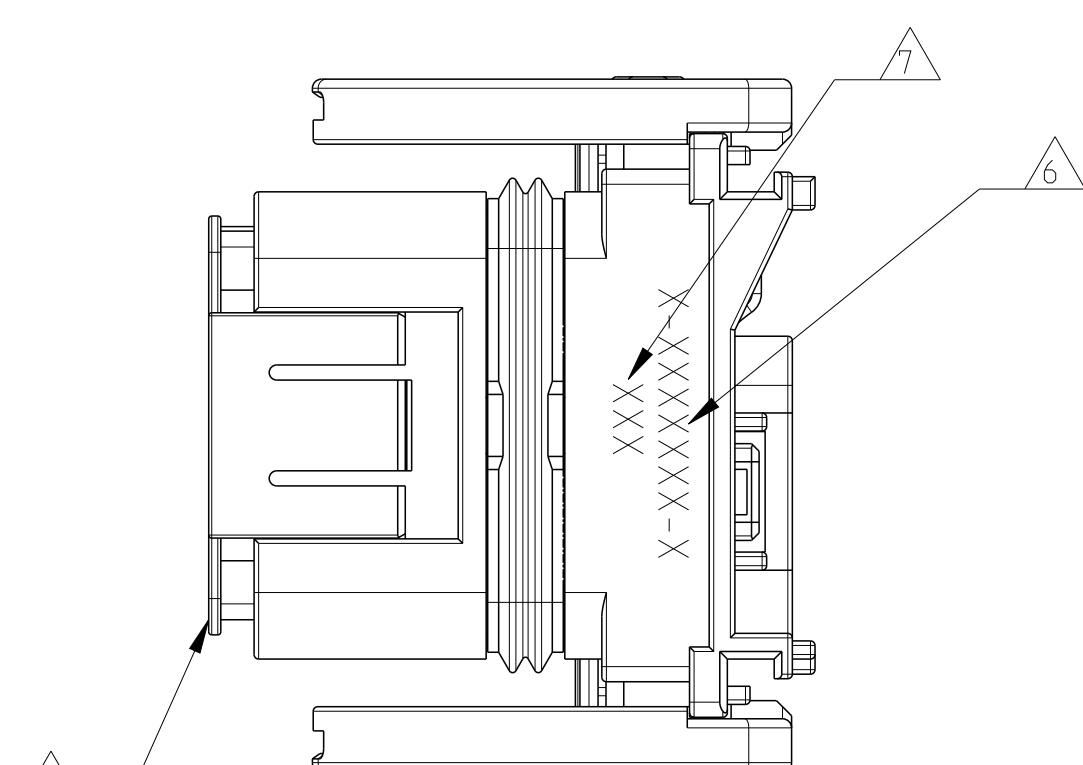
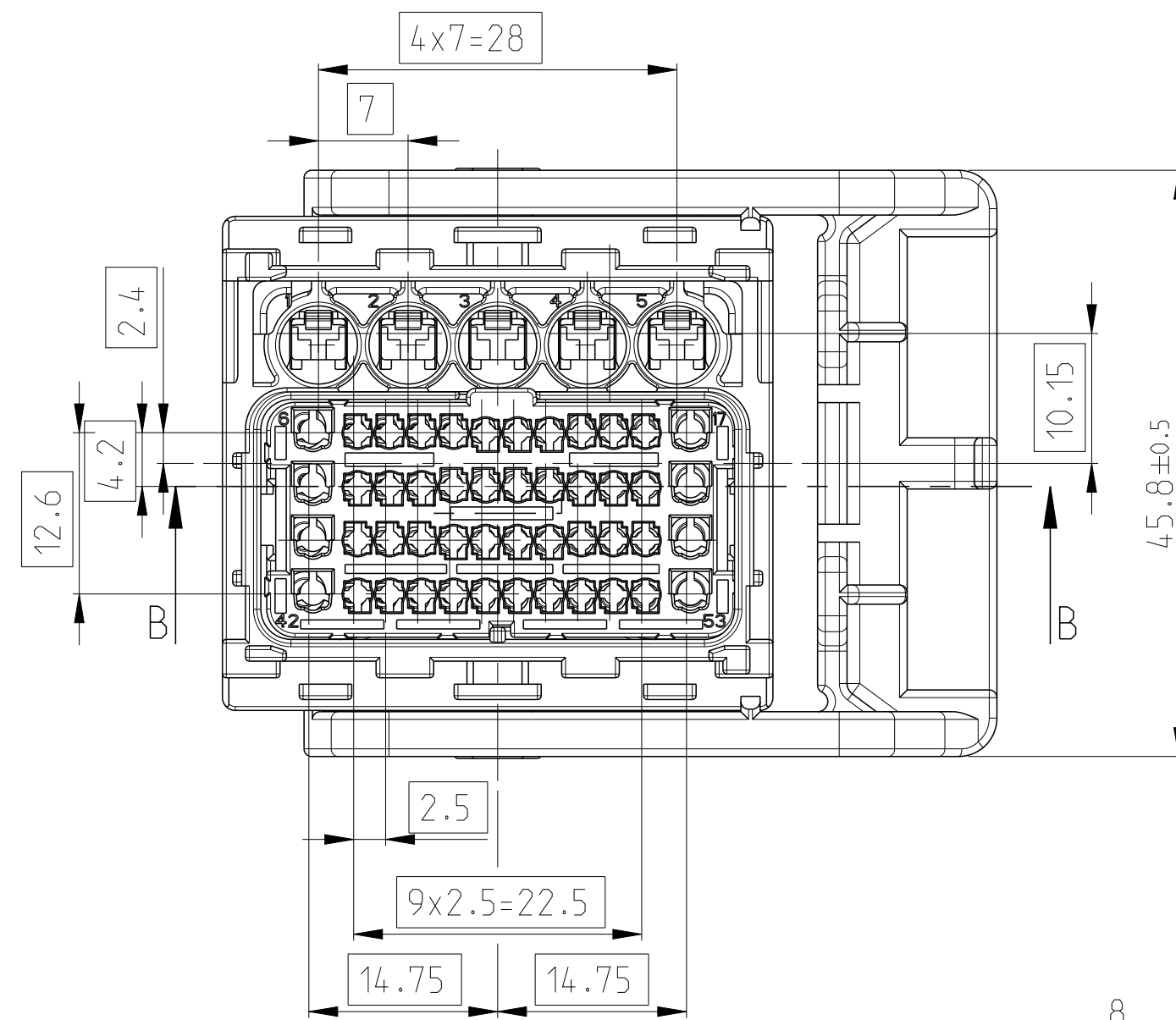
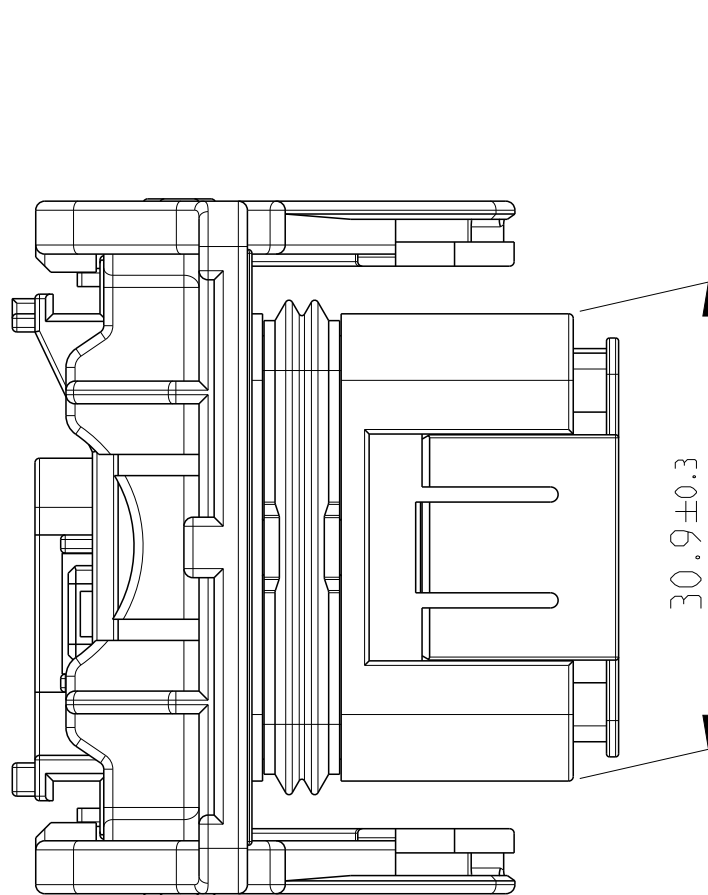


VIEW WITH COVER LEVER IN END-LOCK POSITION. THE COVER IS A SEPARATE SALES PART. Ansicht mit Kappe, Hebel in Endraststellung. Die Kappe ist ein separates Verkaufsteil.

CODING 1 BLACK



B-B

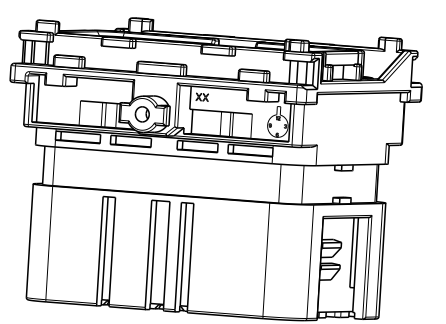


8 PACKAGING WITH TRAY
Verpackung mit Tray

9 NOTE 6 AND 7 ALWAYS TO BE MARKED ON THE OPPOSITE SIDE OF THE LEVER
Beschriftung von Note 6 und 7 immer auf der Gegenseitige Seite des Hebel

APPLICABLE TERMINALS							
MQS CB	968220-1	3MST-14474-AAA	PRE-TIN	0.35 - 0.5	Ø1.20 - 1.60		TE PN: 1394871-1
MQS CB	968221-1	8N5N-14474-AA	PRE-TIN	0.5 - 0.75	Ø1.40 - 1.90		
1.5	638652-2	6C1T-14474-DBA	PRE-TIN	0.5 - 1.00	Ø1.40 - 2.30		TE PN: 1670108-1
1.5	638652-1	6C1T-14474_DAA	PRE-TIN	1.00 - 1.50	Ø1.90 - 2.40		
AMP 2.8	1326032-1	1F1T-14474-EA	PRE-TIN	0.35		9786-10C930-EA	
AMP 2.8	1326032-2	1F1T-14474-FA	PRE-TIN	0.5		9786-10C930-FA	FORD PN: 9786-10C930-HA
AMP 2.8	1326032-3	1F1T-14474-GA	PRE-TIN	0.75 - 1.00		9786-10C930-GA	
AMP 2.8	1326032-5	1F1T-14474-JA	PRE-TIN	1.5 - 2.5			
TERMINALS SIZE Kontaktabmessung	TERMINALS TE PN TE Kontakt PN	FORD COMP. PART NO.	FINISH Oberflaeche	WIRE SIZE (mm²) Drahtquerschnitt (mm²)	WIRE SIZE DIAMETER Kabeldurchmesser	WIRE SEAL Ford PN.	BLIND PLUG

OLD DESIGN WITHOUT IMPROVED CORE-OUTS



1:1

NOTES:
Bemerkungen:

- PARTS MUST CONFORM TO USCAR 2, REV. 4
Teile entsprechen USCAR 2, Rev. 4
- CONNECTOR MATING / UNMATING FORCES MAX. 75N
Steckkraft / Oeffnungskraft max. 75N
- SEALING FUNCTION REQUIRES ONLY FOLLOWING WIRE SIZE DIAMETERS FOR THE TERMINALS:
Zur Sicherstellung der Dichtigkeit duerfen folgende Drahtquerschnitte bei den Kontakten verwendet werden:
MQS TERMINAL: 0.35mm² - 0.75mm² = OD Ø 1.2 - 1.9mm
TE 1.5 TERMINAL: 0.5mm² - 1.5mm² = OD Ø 1.4 - 2.4mm

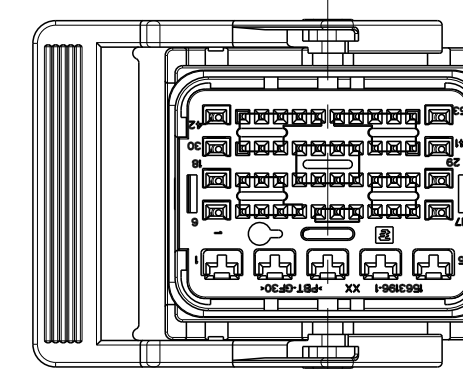
- MATED WITH:
Passend zu:
COVER 0-1563200-1/-2
Kappe 0-1563200-1/-2

5 SPACER IN PRE LOCK POSITION
Spacer in vorraststellung

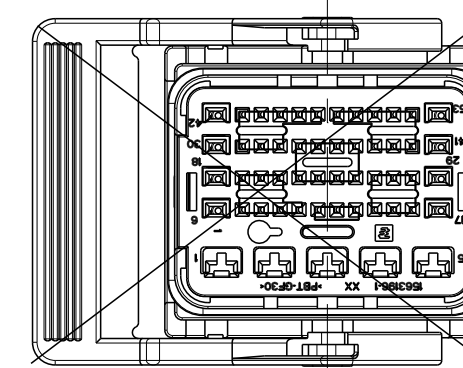
6 MARKING WITH TE PN. SEE PINOUTCONFIGURATION TABLE
Markierung fuer TE PN. siehe Pinoutkonfigurationstabelle

7 A THREE DIGIT MARKING ACCORDING TABLE LOCATED ON SIDE OF THE FEMALE HOUSING
SEE DRAWING 1563194
Eine dreistellige Markierung gemaess der Tabelle auf der Seite des Kontaktgehaeuses siehe Zeichnung 1563194

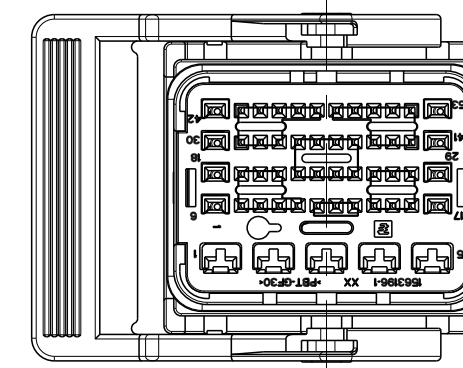
M 1:1



**CODING 1 BLACK
LEVER LEFT
CABLE EXIT RIGHT
PN 2208799 / 2208800**

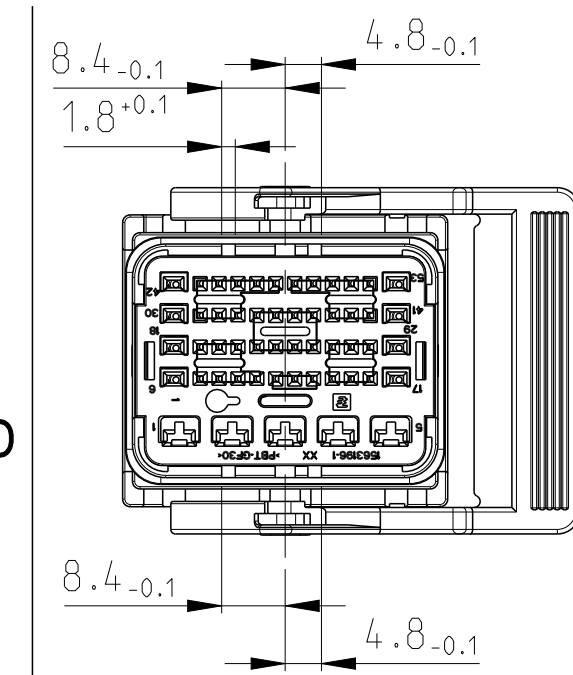


**CODING 2 GREY
LEVER LEFT
CABLE EXIT RIGHT
PN 1563900**

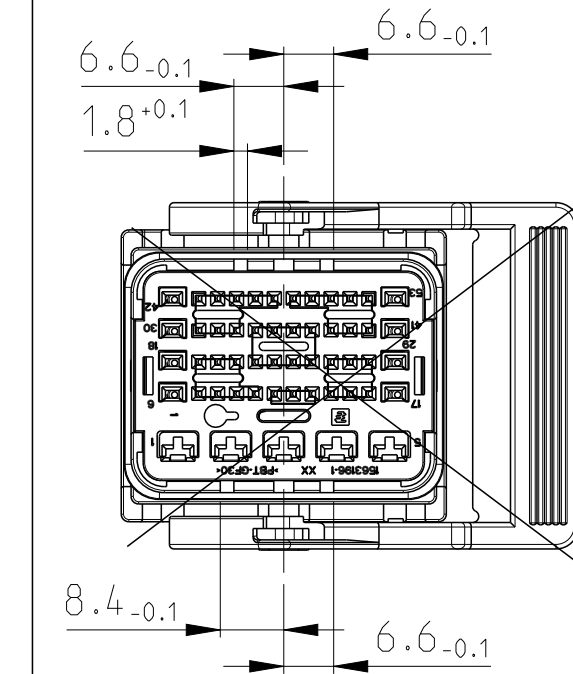


**CODING 3 BROWN
LEVER LEFT
CABLE EXIT RIGHT
PN 2208803 / 2208804**

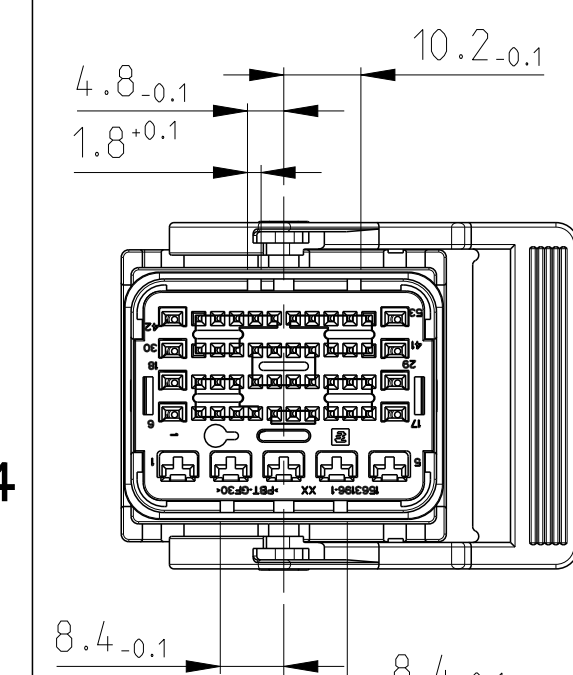
LOC	DIST	REV	DESCRIPTION	DATE	OWN	APPV
A1	-	A	INITIAL DRAWING	09JAN2013	SH	KR
		B	SEE PCN E-14-018632	12DEC2014	MK	KR



**CODING 1 BLACK
LEVER RIGHT
CABLE EXIT LEFT
PN 2208801 / 2208802**



**CODING 2 GREY
LEVER RIGHT
CABLE EXIT LEFT
PN 1564294**



**CODING 3 BROWN
LEVER RIGHT
CABLE EXIT LEFT
PN 2208805 / 2208806**

**PIN-OUT CONFIGURATION
SEE DRAWING 2208800**

QTY	DESCRIPTION	UNIT	REVISION	DATE	BY	CHK	APPV	ITEM NO.
1x	PBT-GF30 53POS.CONNECTOR SPACER							6
1x	PA66-GF25 53POS.CONNECTOR LEVER LEFT							5
1x	PA66-GF25 53POS.CONNECTOR LEVER RIGHT							5
1x	MVQ 53POS.CONNECTOR PERIPHERAL SEAL							4
1x	PBT-GF20 53POS.CONNECTOR COVER FOR FAMILY SEAL							3
1x	MVQ 53POS.CONNECTOR FAMILY SEAL							2
1x	PA66-GF35 53POS.CONNECTOR FEMALE HOUSING CODING 3							1
	PA66-GF35 53POS.CONNECTOR FEMALE HOUSING CODING 2							1
	PA66-GF35 53POS.CONNECTOR FEMALE HOUSING CODING 1							1
	MATERIAL DESCRIPTION COLOUR							ITEM NO.
X-2208803-X X-2208804-X	X-2208805-X X-2208806-X	TBD	TBD	X-2208799-X X-2208800-X	X-2208801-X X-2208802-X			PART NUMBER OF EACH ASSY
CODING 3 LEFT	CODING 3 RIGHT	CODING 2 LEFT	CODING 2 RIGHT	CODING 1 LEFT	CODING 1 RIGHT			CODING LEVER POSITION REVISION OF EACH ASSY
B	B	B	B	B	B			PARTS LIST

THIS DRAWING IS A CONTROLLED DOCUMENT. DIMENSIONS: mm. TOLERANCES UNLESS OTHERWISE SPECIFIED: 0 PLC ±0.30, 1 PLC ±0.30, 2 PLC ±0.30, 3 PLC ±, 4 PLC ±. MATERIAL: -. FINISH: -. WEIGHT: -. Customer Drawing.

OWN: Shreeshaail, CHK: K.ROTH, APPV: E. Mumper, PRODUCT SPEC: 114-18903, WEIGHT: -. Customer Drawing.

DATE: 21DEC2012, 21DEC2012, 21DEC2012. NAME: 53 POS. PCM MIXED REC. HSG. SIZE: A1, CAGE CODE: 00779, DRAWING NO: C=2208799, SHEET: 1 OF 1, REV: B.

TE Connectivity logo.