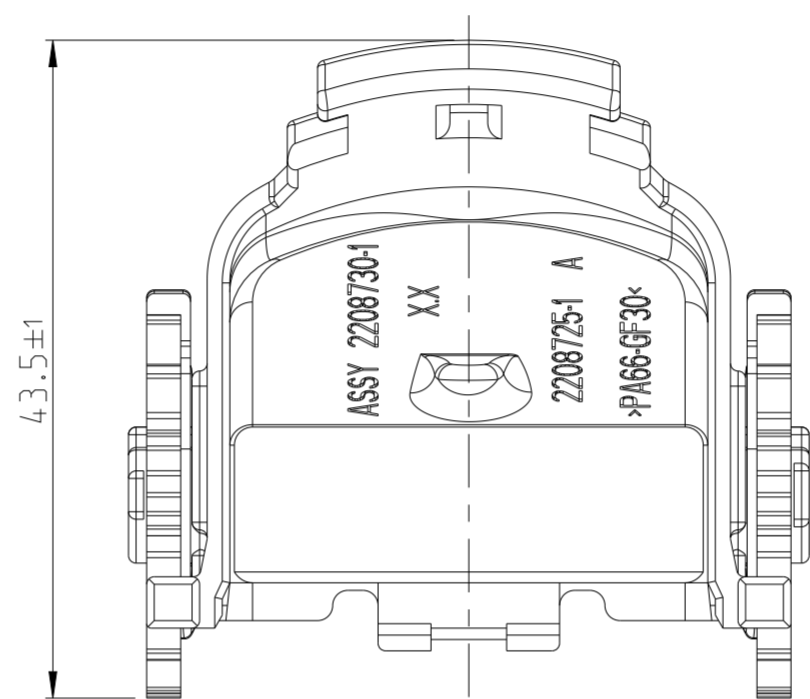
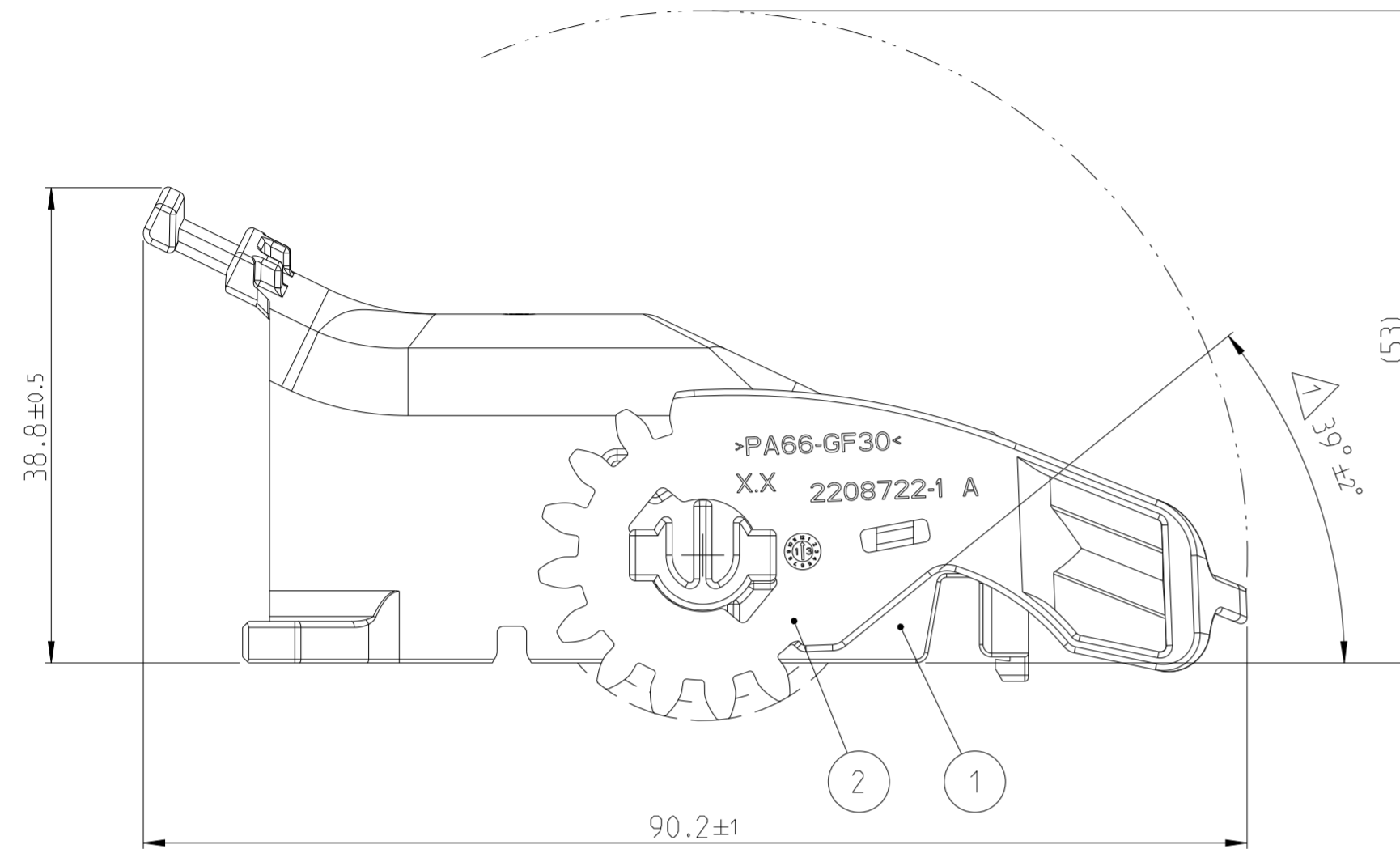


PROJEKT NR.:		REVISIONS			
PRJ-11-0003789		ÄNDERUNGEN			
P	LTR	DESCRIPTION	DATE	DWN	APVD
		BESCHREIBUNG			
	A1	NEW DRAWING	14MAR2014	RS	GKT
	A2	DRAWING UPDATED WITH TOLERANCES	03JUN2015	RS	GKT
	A3	HIGH VOLTAGE DANGER MARKING REMOVED	07JUL2021	MKS	MDG

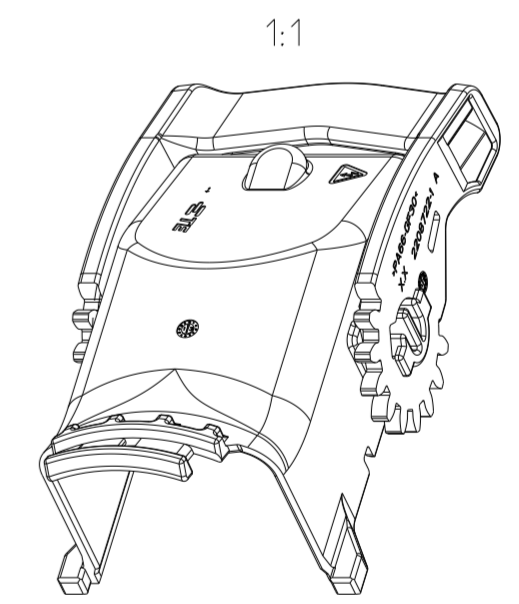
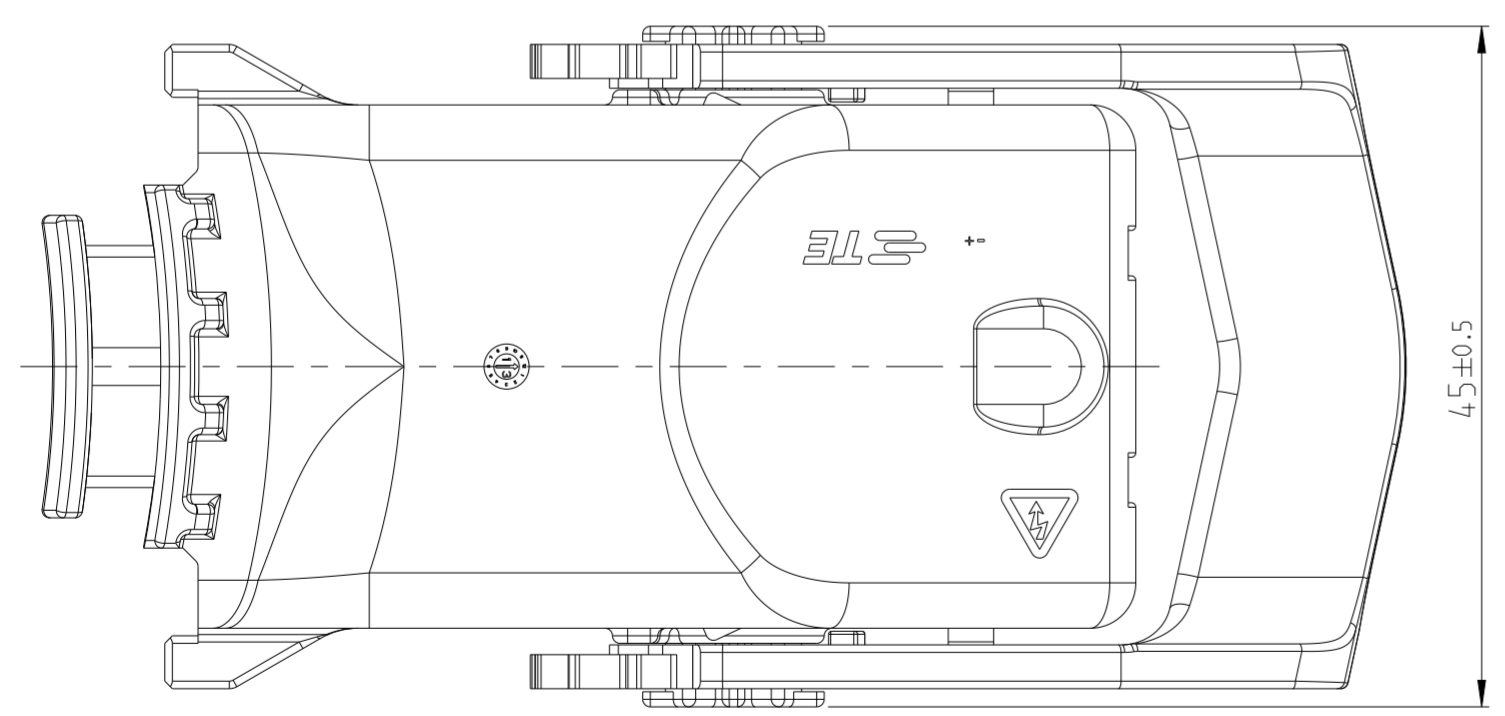


NOTES

- 1 DELIVERY CONDITION: LEVER (2) IN ENDOCKED POSITION
- 2 LEVER MUST ROTATE SMOOTHLY UNTIL LOCKING (112.4°)
- 3 PACKAGING: POSITION WAY IN CARDBOX
- 4 2208730-1 SUITABLE TO TE: X-2208709-X / X-2208720-X

Bemerkungen

- 1 Anlieferzustand: Hebel (2) in Endraststellung
- 2 Hebel muss sich leicht bis zur Verrastung drehen lassen (112.4°)
- 3 Verpackung: Lagenweise im Karton
- 4 2208730-1 passend zu TE: X-2208709-X / X-2208720-X



2208730-1 AS SHOWN wie gezeichnet

ASSY NO	COLOUR	MATERIAL	DESCRIPTION	ITEM NO
2208730-1	BLACK	PA66 GF30	LEVER	2
	BLACK	PA66 GF30	COVER (ANGULAR)	1

PRODUCT CHARACTERISTICS ACC. QMP EMEA_12
BESONDERE MERKMALE NACH QMP EMEA_12

TOLERANCES UNLESS OTHERWISE SPECIFIED ACC. TO DIN 16901-140@CENTRIC TO NOMINAL DIMENSION. EDITION 1982-11 SHALL APPLY.
Freimasttoleranzen nach DIN 16901-140@. Es gilt die Ausgabe 1982-11.

THIS DRAWING IS A CONTROLLED DOCUMENT.
DIMENSIONING AND TOLERANCING PER GPS (ISO STANDARDS)

DIMENSIONS: MASSEINHEITEN: (MM)	TOLERANCES UNLESS OTHERWISE SPECIFIED: ALLGEMEINTOLERANZEN	APVD M ZAYC	NAME COVER ASSY, OUTGOING ANGULAR
0 PLC ±	1 PLC ±	PRODUCT SPEC	-
2 PLC ±	3 PLC ±	APPLICATION SPEC	-
4 PLC ±	ANGLES/WINKEL ±	VERARBEITUNGSSPEZ.	-
MATERIAL SEE TABLE	FINISH/OBERFLÄCHE/FARBE	WEIGHT GEWICHT	SIZE A2
-	-	18.9 g	CAGE CODE -
-	-	Customer Drawing	DRAWING NO ZEICHNUNGS-NR. C-2208730
		SCALE MASSSTAB	RESTRICTED TO NUR FUER
		2:1	-
		SHEET BLATT	REV A3
		1 OF VON 1	

TE Connectivity