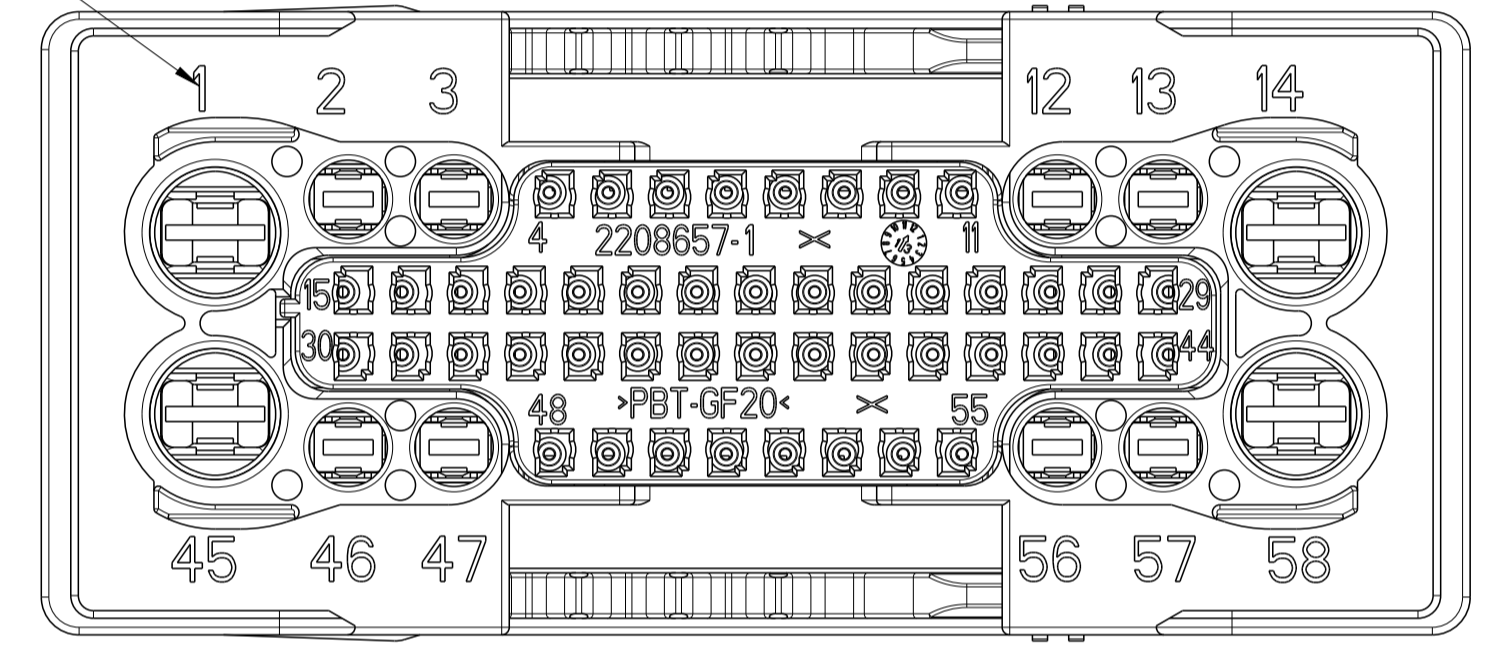
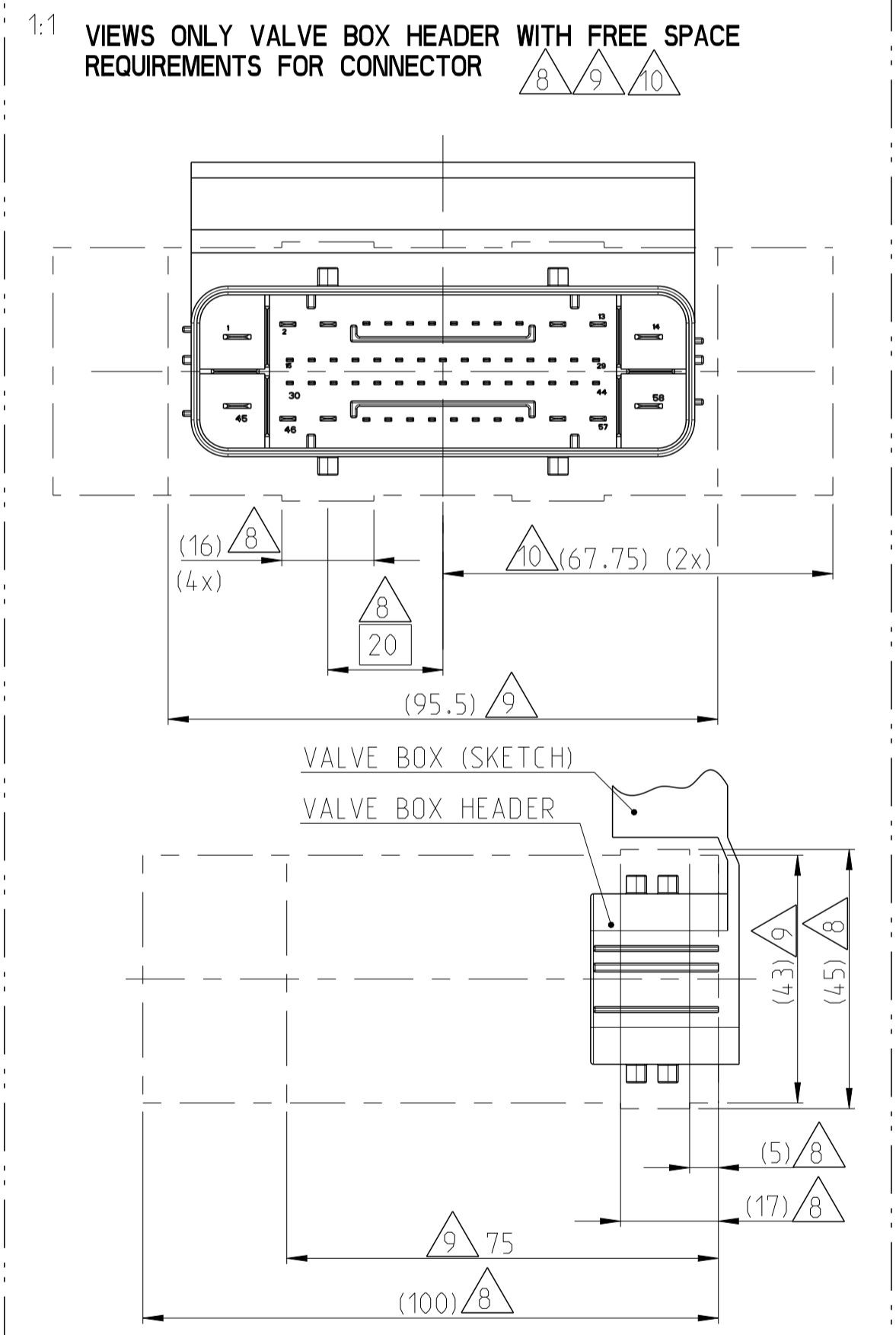
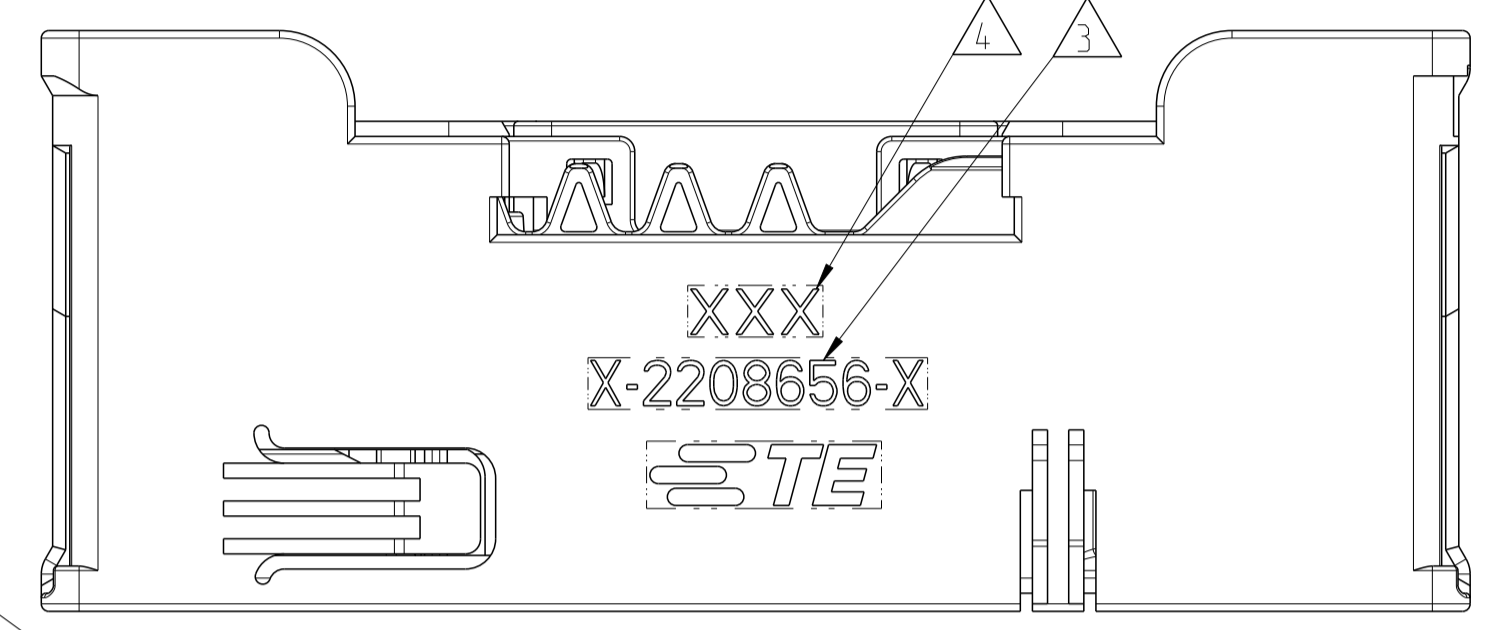
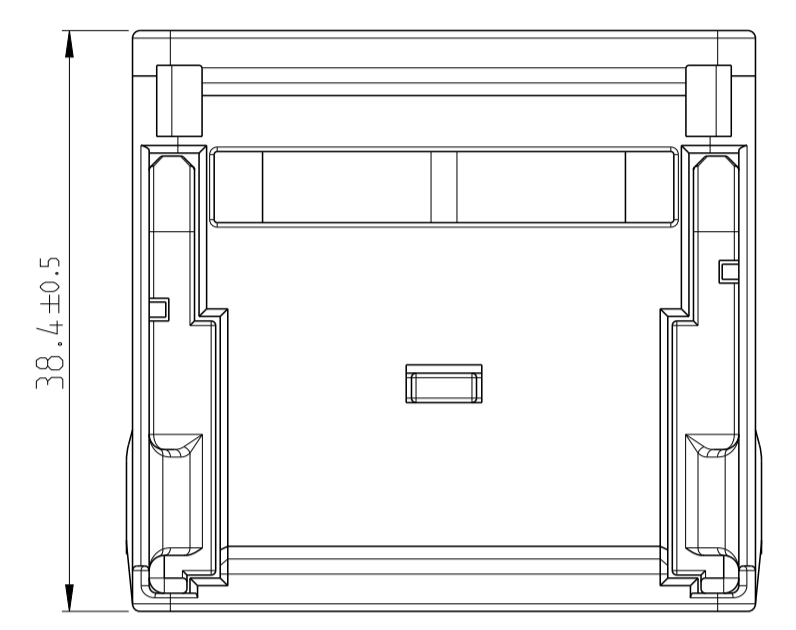
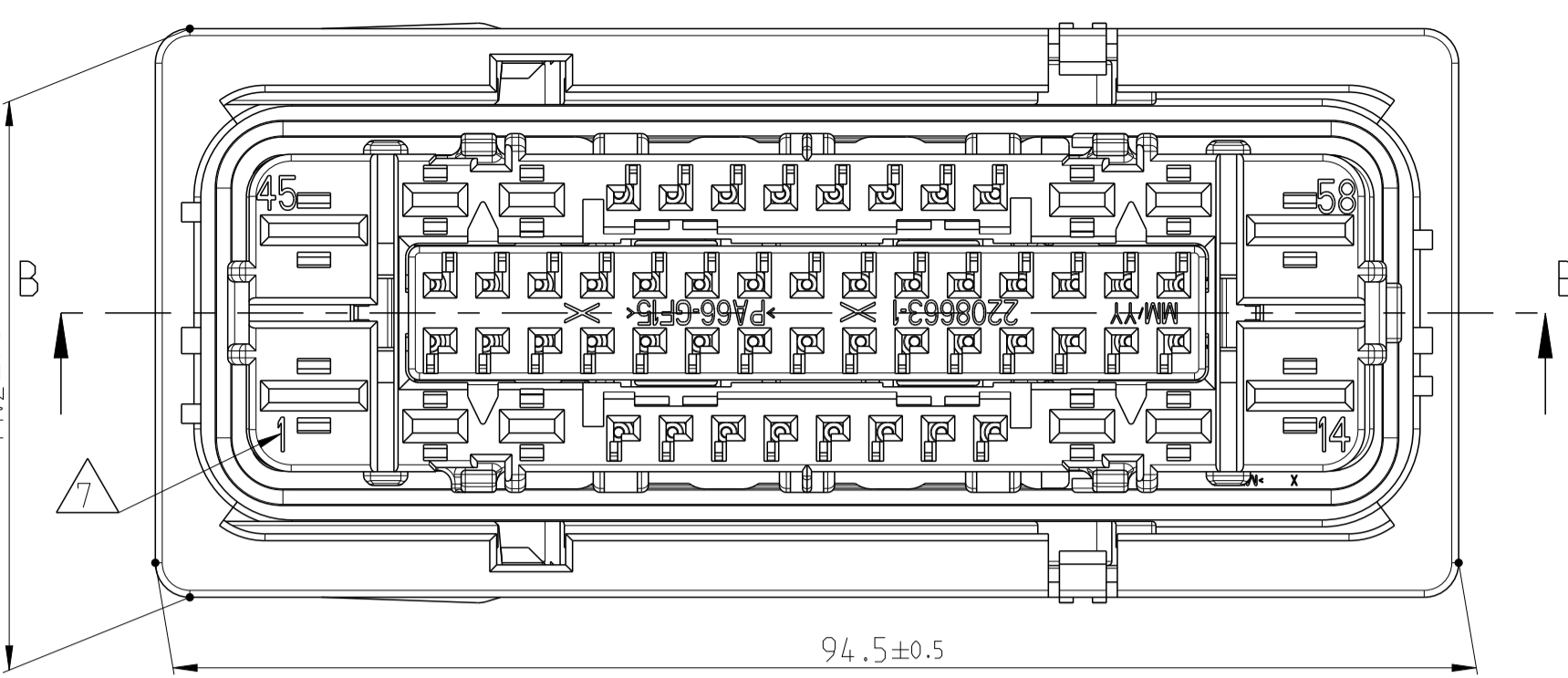
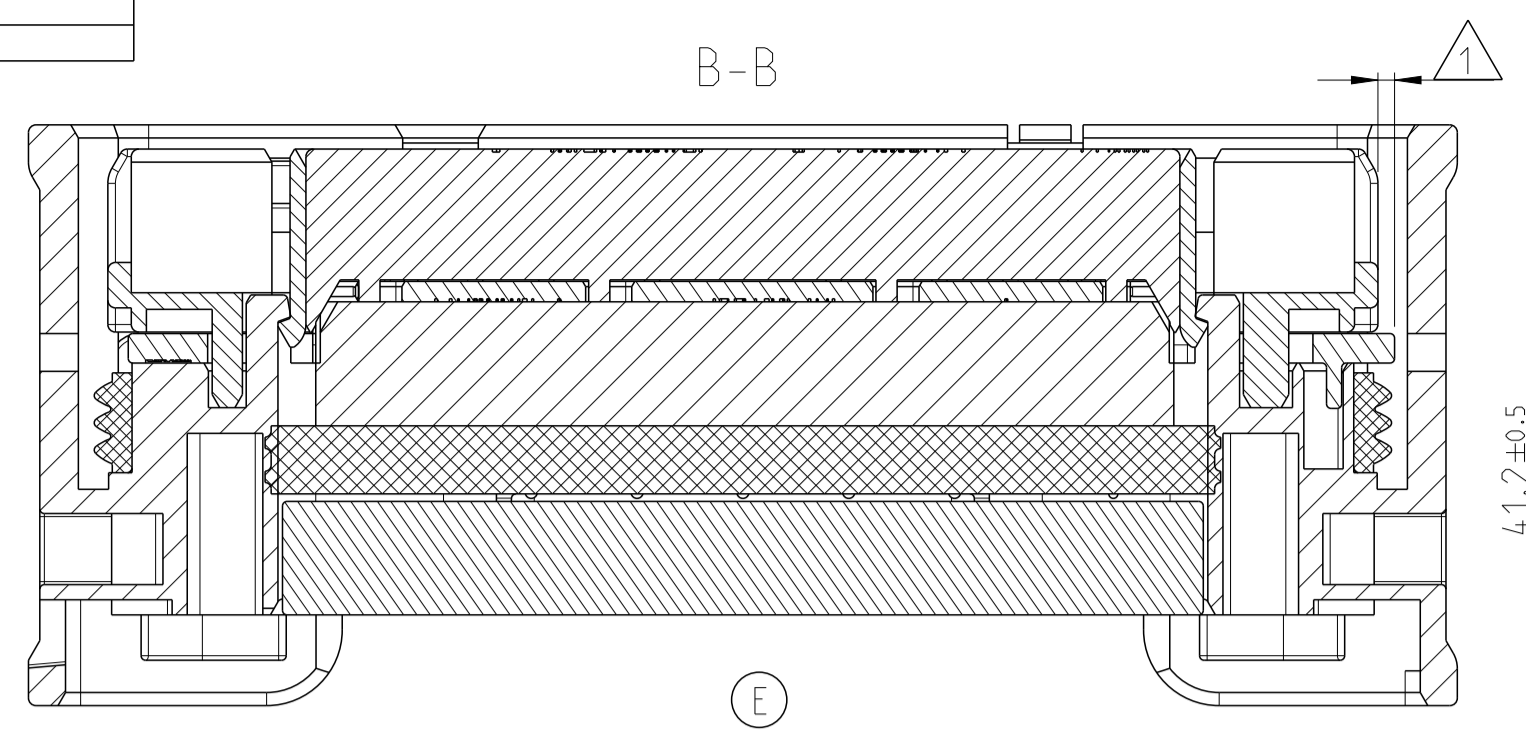
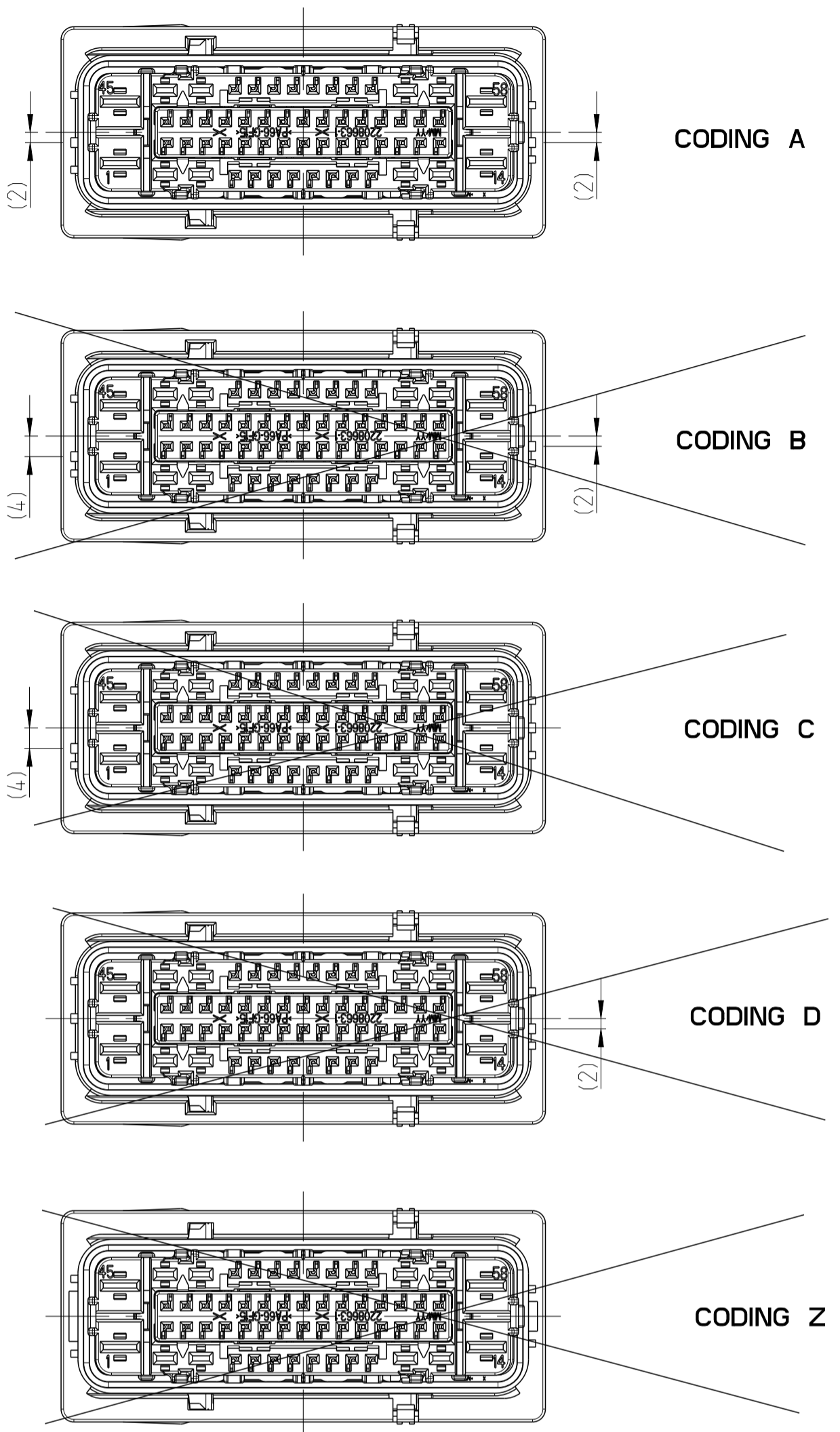


# CODING OPTIONS

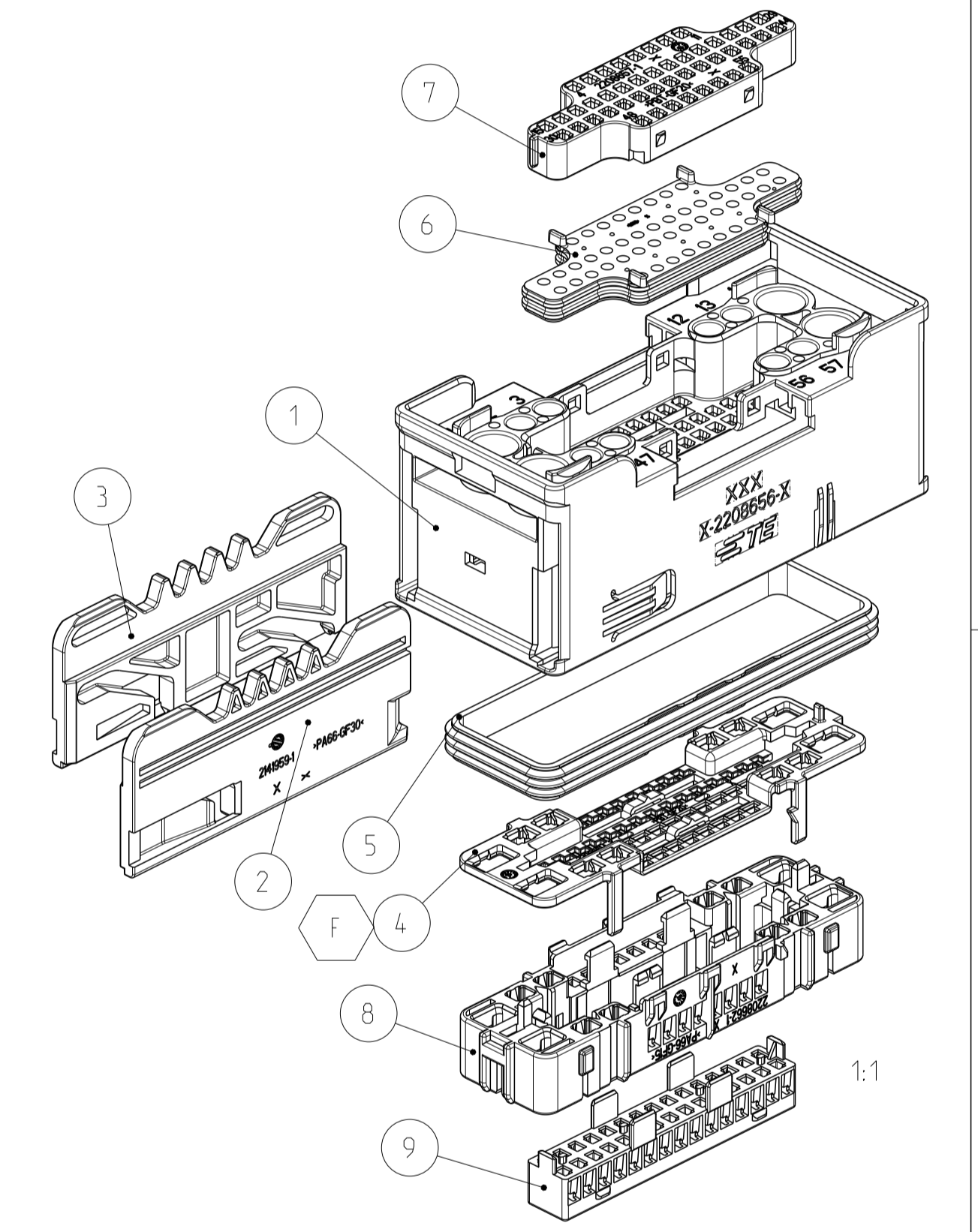
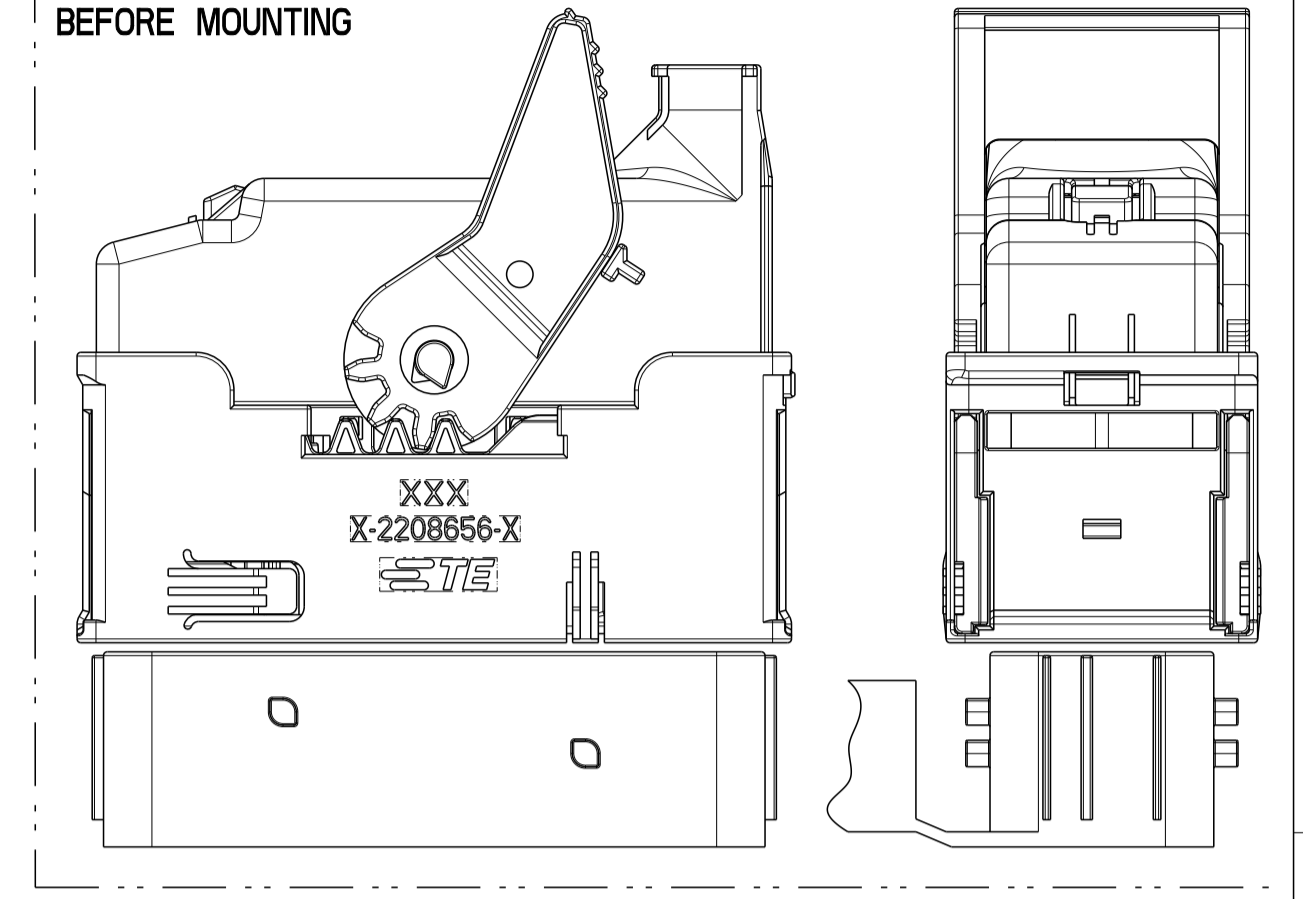
1:1



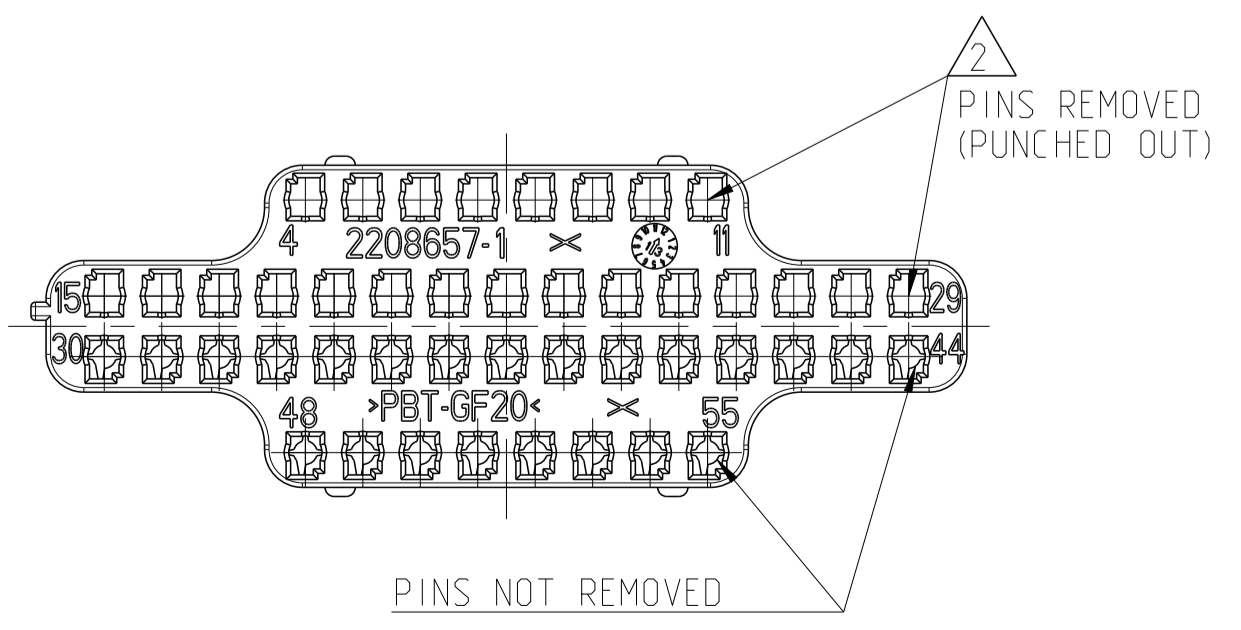
- NOTES  
BEMERKUNGEN
- 1 DELIVERY CONDITION: RETAINER (TPA) IN PRE-LOCK POSITION
  - 2 TO SEAL UNPOPULATED CONTACT CAVITIES USE BLIND PLUGS AND PINS SHOWN IN APPLICABLE COMPONENTS BOX OR REQUEST A PINOUT CONFIGURATION
  - 3 TE CONNECTIVITY PART NUMBER
  - 4 3-DIGIT INDEX FOR PINOUT CONFIGURATION OF THE MAT SEAL COVER (000 FOR ALL CONTACT CAVITIES OPEN)
  - 5 PART MUST MATE WITH TE CONNECTIVITY INTERFACE SPECIFICATION 114-94233
  - 6 SEALING FUNCTION OF THE MAT SEAL REQUIRES FOLLOWING WIRE SIZE DIMENSIONS:  
0.35mm<sup>2</sup>-0.75mm<sup>2</sup> WITH CABLE OUTER DIAMETER 1.2-1.9mm  
FOR MCON 1.2 CB UNSEALED FEMALE TERMINALS
  - 7 CONTACT CAVITY MARKING
  - 8 REQUIRED FREE SPACE FOR CONNECTOR DURING MATING OPERATION (REQUIRED CLEARANCE FOR 2 FINGER PULL ACC. USCAR25 NOT INCLUDED)
  - 9 REQUIRED FREE SPACE FOR CONNECTOR IN FULLY SEATED CONDITION (WITHOUT CABLE BUNDLE)
  - 10 REQUIRED FREE SPACE FOR CABLE BUNDLE FIXING
  - 11 TEST ACCORDING TO USCAR 2 REV. 5 EXCEPT: 5.4.5, 5.4.8, 5.4.1 (MAXIMUM INSERTION FORCE FOR MCON 1.2 < 30N)

LOC	DIST	REVISIONS					
A1	-	P	LTH	DESCRIPTION	DATE	OWN	APVD
		F5		ADD NEW P/NISEE ECR-20-006851)	05JUN2020	O.H	I.Y
		F6		ADD NEW P/NISEE ECR-21-001673)	09FEB2021	O.H	J.Z
		F7		ADD NEW P/NISEE ECR-22-138504)	10FEB2022	O.H	J.Z
		F8		ADD NEW P/NISEE ECR-23-225758)	09AUG2023	O.H	J.Z

VIEW WITH WIRE COVER 2208653-1 AND VALVE BOX HEADER (BOTH NOT WITHIN DELIVERY CONDITION) BEFORE MOUNTING



## MAT SEAL COVER PINOUT CONFIGURATION EXAMPLE



APPLICABLE COMPONENTS BOX					
DESCRIPTION	PLATING / COLOUR	SUPPLIER	SUPPLIER PART NO. (WIRE SIZE)	APPL. SINGLE WIRE SEAL	APPL. CONTACT CAVITY NUMBER
MCON 1.2 CB UNSEALED FEMALE TERMINAL	TIN	TE	1534594-1 (0.35mm <sup>2</sup> )	NOT APPLICABLE	4-11, 15-44, 48-55
MCON 1.2 CB UNSEALED FEMALE TERMINAL	TIN	TE	1670144-1 (0.5-0.75mm <sup>2</sup> )	NOT APPLICABLE	
AMP MCP 2.8 SEALED FEMALE TERMINAL	TIN	TE	1-968855-1 (0.5-1.0mm <sup>2</sup> )	828904-1 FOR CABLE Ø 1.4-2.1 828904-2 FOR CABLE Ø 1.4-2.1	2-3, 12-13, 46-47, 56-57
AMP MCP 2.8 SEALED FEMALE TERMINAL	TIN	TE	1-968857-1 (1.5-2.5mm <sup>2</sup> )	828904-3 FOR CABLE Ø 1.4-2.1 828905-1 FOR CABLE Ø 2.2-3.0	
AMP MCP 6.3/4.8K SEALED FEMALE TERMINAL	TIN	TE	1241414-1 (+1.0-2.5mm <sup>2</sup> )		
AMP MCP 6.3/4.8K SEALED FEMALE TERMINAL	TIN	TE	1241416-1 (+2.5-4.0mm <sup>2</sup> )	1394511-1 FOR CABLE Ø 2.0-2.7 1623111-1 FOR CABLE Ø 2.7-3.0	1, 14, 45, 58
AMP MCP 6.3/4.8K SEALED FEMALE TERMINAL	TIN	TE	1241418-4 (+4.0-6.0mm <sup>2</sup> )	1394512-1 FOR CABLE Ø 3.4-3.7 1719043-1 FOR CABLE Ø 4.0-4.5	
AMP MCP 6.3/4.8K SEALED FEMALE TERMINAL	SILVER	TE	1-1241418-3 (+4.0-6.0mm <sup>2</sup> )		
BLIND PIN FOR MCON 1.2 CB CONTACT CAVITIES	BROWN	TE	1-1452424-1	NOT APPLICABLE	4-11, 15-44, 48-55
BLIND PLUG FOR MCP 2.8K CONTACT CAVITIES	NATURAL	TE	828922-1	NOT APPLICABLE	2-3, 12-13, 46-47, 56-57
BLIND PLUG FOR MCP 6.3/4.8K CONTACT CAVITIES	TRANSPARENT	TE	967652-1	NOT APPLICABLE	1, 14, 45, 58
WIRE COVER	BLACK	TE	2177649-1/2	NOT APPLICABLE	NOT APPLICABLE

QTY	REQD PER ASSY	PARTS LIST
1		CAVITY BLOCK INSERT BLACK 9
1		CAVITY BLOCK BLACK 8
1		MAT SEAL COVER BLACK 7
1		MAT SEAL LIGHT BLUE 6
1		PERIPHERAL SEAL RUST RED 5
1		RETAINER (TPA) VIOLET 4
1		SLIDER LEFT BLACK 3
1		SLIDER RIGHT BLACK 2
1		HOUSING, CODE Z BLACK 1e
1		HOUSING, CODE D BLACK 1d
1		HOUSING, CODE C BLACK 1c
1		HOUSING, CODE B BLACK 1b
1		HOUSING, CODE A BLACK 1a
TE PART NUMBER	SEE SHEET 2	DESCRIPTION COLOUR ITEM NO.
	SEE SHEET 2	REVISION OF EACH ASSY NO.
	89.08	WEIGHT OF EACH ASSY NO (g)

THIS DRAWING IS A CONTROLLED DOCUMENT.

OWN: G. HOJEA 14 JAN 2013  
 CHK: H. RIPPER 14 JAN 2013  
 APVD: G. MUMMER 14 JAN 2013

TE Connectivity

NAME: FEMALE HOUSING ASSEMBLY, 58 WAY ABS CONNECTOR

SIZE: 114-94240  
 WEIGHT: 89.08  
 SCALE: 2:1 SHEET 1 OF 2 REV: F8

