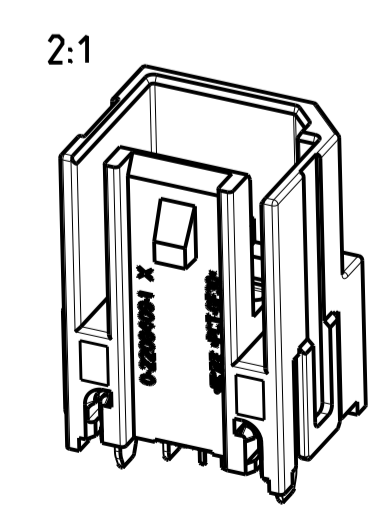
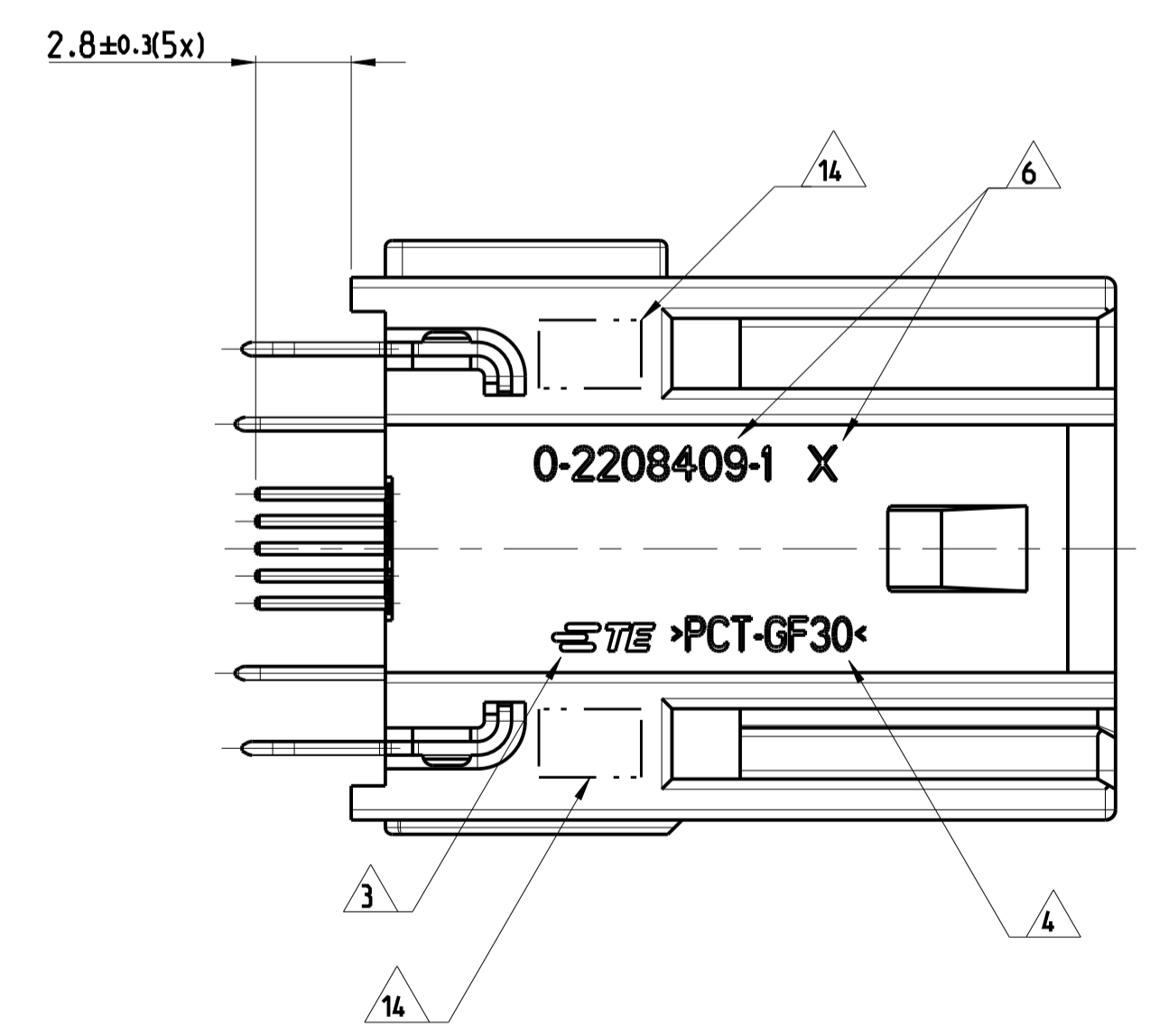
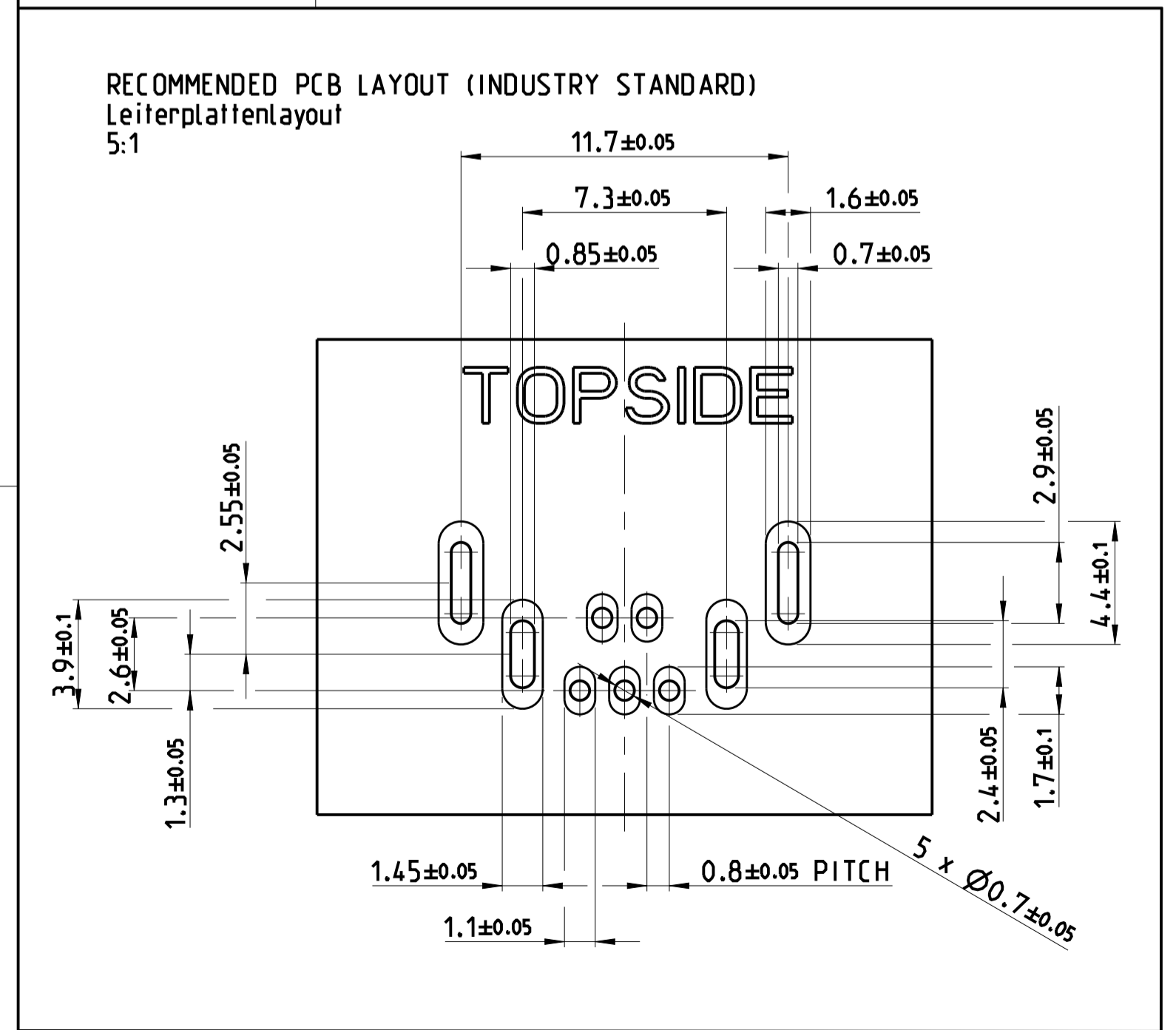
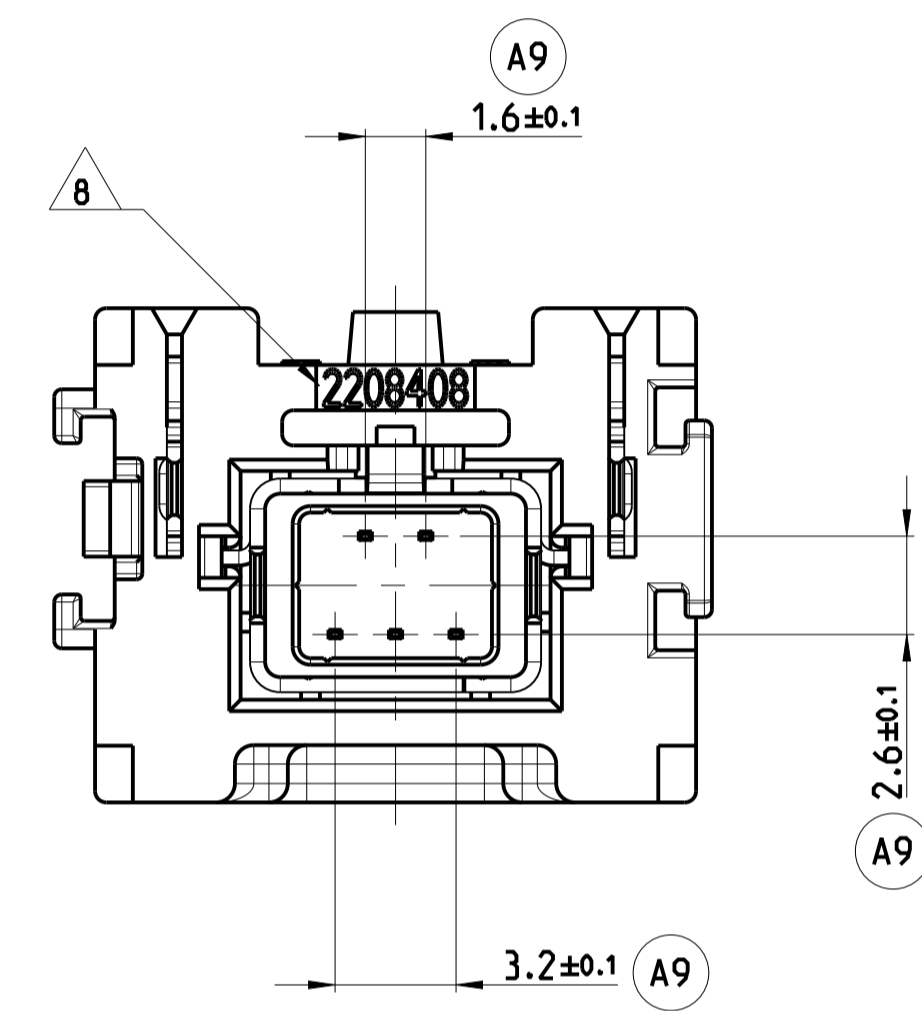
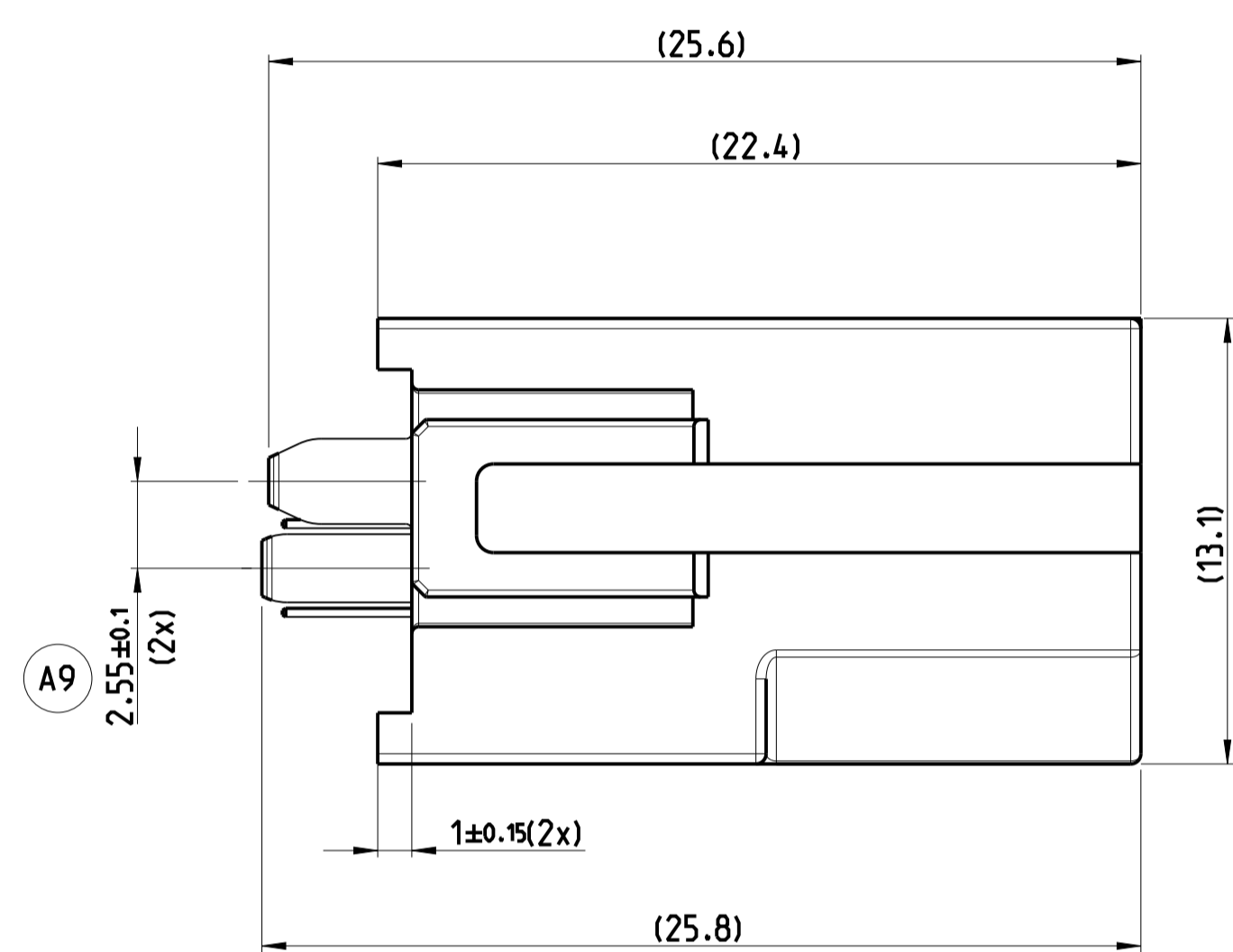
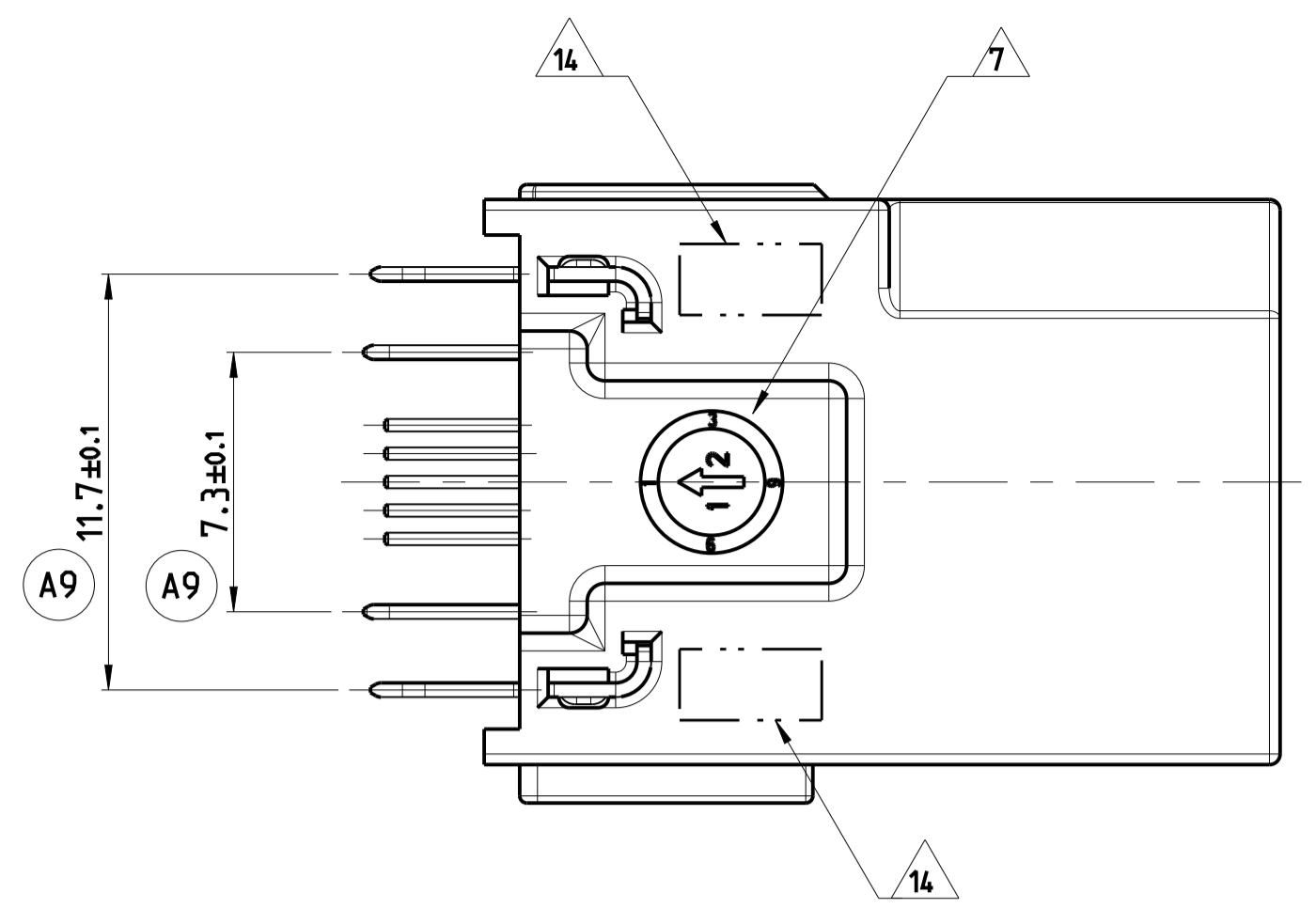
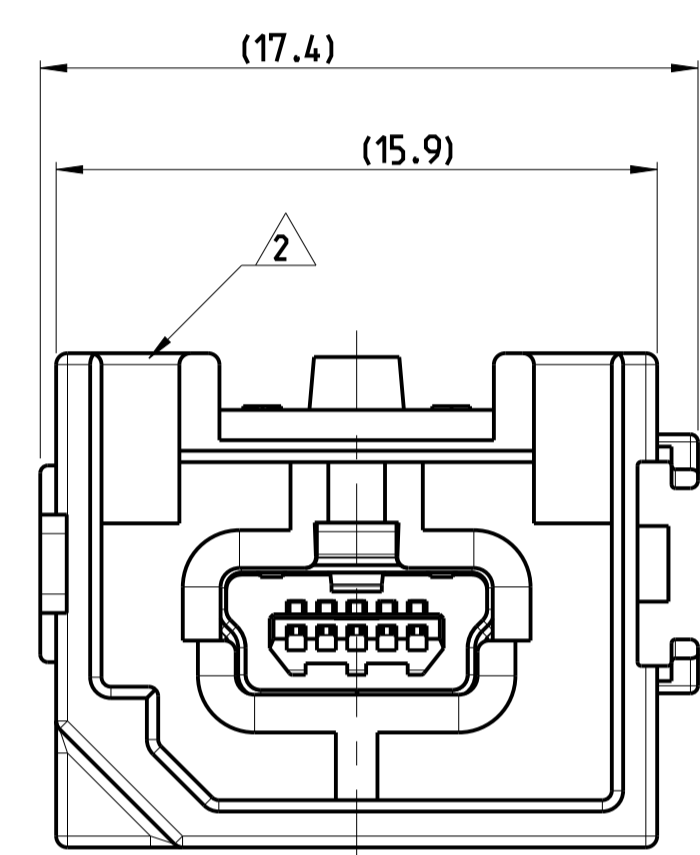


OPTIONS
ACC. TO USCAR30

OPTION A	OPTION G
OPTION B (MIRROR IMAGE OF OPTION A)	OPTION H (MIRROR IMAGE OF OPTION G)
OPTION C	OPTION J
OPTION D (MIRROR IMAGE OF OPTION C)	OPTION K (MIRROR IMAGE OF OPTION J)
OPTION E	
OPTION F (MIRROR IMAGE OF OPTION E)	



LOC	DIST	REV	DATE	APPD
A1	-	B	16 JAN 2014	RD

- REVISIONS
- | REV | DESCRIPTION | DATE | APPD |
|-----|--|-------------|------|
| B | ADDED -6 TO -10 AND REV PER ECO-14-155 | 16 JAN 2014 | RD |
- 1 PN: 1-2208408-1 Kodierung A, wie gezeichnet
PN: 1-2208408-1 OPTION A, AS SHOWN
 - 2 USB-CONNECTOR SHROUD ACC. TO 999-U-USB-Z01
USB-Steckgesicht nach 999-U-USB-Z01
 - 3 TE-TRADEMARK
TE-Warenzeichen
 - 4 MATERIAL MARKING OF SINGLE PART
Materialkennzeichnung des Einzelteils
 - 5 NOTE DELETED
Bemerkung entfernt
 - 6 TE-SINGLE PART NO. AND REVISION
TE-Teilenummer und Revision des Einzelteils
 - 7 PRODUCTION DATE OF SINGLE PART
Produktionsdatum des Einzelteils
 - 8 TE-ASM NO.
TE-Baugruppen PN
 - 9 NOTE DELETED
Bemerkung entfernt
 - 10 TEMPERATURE STABLE FOR REFLOW SOLDERING
Temperaturstabil fuer Reflow-Loelprozess
 - 11 ELECTRICAL AND MECHANICAL REQUIREMENTS ACCORDING TO:
- USCAR30, FROM 2006/11/10
- USB 2.0 ECN#1 FROM 10/20/2000
Elektrische und mechanische Anforderungen nach:
- USCAR30 vom 2006/11/10
- USB 2.0 ECN#1 vom 10/20/2000
 - 12 PACKAGING IN TRAY, PART NO. 294439-1
Verpackung in Tray, Teilnummer 294439-1
 - 13 EOL - TESTED (CONTINUITY AND SHORT CUT)
EOL - Getestet (Durchgang und Kurzschluss)
 - 14 CORING OPTIONAL IN THESE AREAS. MIN. WALL THICKNESS IS 0.7mm
Coring optional in diesen Bereichen. MIN. Wandstärke 0.7 mm

ASSY NO	REV	OPTION	DESCRIPTION	QTY	MATERIAL/COLOR	POS
3-2208408-0	B	K	FASTENER, FOR MINI USB, SOLDERABLE	2	galvanic lined	3
			MINI USB CONN., REPT. V/T, DIP, B TYPE	1	Bronze, CuSn4, LCP-GF30	2
2-2208408-9	B	J	FASTENER, FOR MINI USB, SOLDERABLE	2	galvanic lined	3
			MINI USB CONN., REPT. V/T, DIP, B TYPE	1	Bronze, CuSn4, LCP-GF30	2
2-2208408-8	B	H	FASTENER, FOR MINI USB, SOLDERABLE	2	galvanic lined	3
			MINI USB CONN., REPT. V/T, DIP, B TYPE	1	Bronze, CuSn4, LCP-GF30	2
2-2208408-7	B	G	FASTENER, FOR MINI USB, SOLDERABLE	2	galvanic lined	3
			MINI USB CONN., REPT. V/T, DIP, B TYPE	1	Bronze, CuSn4, LCP-GF30	2
2-2208408-6	B	F	FASTENER, FOR MINI USB, SOLDERABLE	2	galvanic lined	3
			MINI USB CONN., REPT. V/T, DIP, B TYPE	1	Bronze, CuSn4, LCP-GF30	2
2-2208408-5	B	E	FASTENER, FOR MINI USB, SOLDERABLE	2	galvanic lined	3
			MINI USB CONN., REPT. V/T, DIP, B TYPE	1	Bronze, CuSn4, LCP-GF30	2
2-2208408-4	B	D	FASTENER, FOR MINI USB, SOLDERABLE	2	galvanic lined	3
			MINI USB CONN., REPT. V/T, DIP, B TYPE	1	Bronze, CuSn4, LCP-GF30	2
2-2208408-3	B	C	FASTENER, FOR MINI USB, SOLDERABLE	2	galvanic lined	3
			MINI USB CONN., REPT. V/T, DIP, B TYPE	1	Bronze, CuSn4, LCP-GF30	2
2-2208408-2	B	B	FASTENER, FOR MINI USB, SOLDERABLE	2	galvanic lined	3
			MINI USB CONN., REPT. V/T, DIP, B TYPE	1	Bronze, CuSn4, LCP-GF30	2
2-2208408-1	B	A	FASTENER, FOR MINI USB, SOLDERABLE	2	galvanic lined	3
			MINI USB CONN., REPT. V/T, DIP, B TYPE	1	Bronze, CuSn4, LCP-GF30	2

THIS DRAWING IS A CONTROLLED DOCUMENT. TOLERANCES UNLESS OTHERWISE SPECIFIED ACC. TO DIM PARTS AND CENTRIC TO NOMINAL DIMENSION. OTHER PARTS SHALL APPLY. DIMENSIONS: mm. TOLERANCES UNLESS OTHERWISE SPECIFIED: 0 PLC ±, 1 PLC ±, 2 PLC ±, 3 PLC ±, 4 PLC ±, 5 PLC ±, 6 PLC ±, 7 PLC ±, 8 PLC ±, 9 PLC ±, 10 PLC ±, 11 PLC ±, 12 PLC ±, 13 PLC ±, 14 PLC ±, 15 PLC ±, 16 PLC ±, 17 PLC ±, 18 PLC ±, 19 PLC ±, 20 PLC ±, 21 PLC ±, 22 PLC ±, 23 PLC ±, 24 PLC ±, 25 PLC ±, 26 PLC ±, 27 PLC ±, 28 PLC ±, 29 PLC ±, 30 PLC ±, 31 PLC ±, 32 PLC ±, 33 PLC ±, 34 PLC ±, 35 PLC ±, 36 PLC ±, 37 PLC ±, 38 PLC ±, 39 PLC ±, 40 PLC ±, 41 PLC ±, 42 PLC ±, 43 PLC ±, 44 PLC ±, 45 PLC ±, 46 PLC ±, 47 PLC ±, 48 PLC ±, 49 PLC ±, 50 PLC ±, 51 PLC ±, 52 PLC ±, 53 PLC ±, 54 PLC ±, 55 PLC ±, 56 PLC ±, 57 PLC ±, 58 PLC ±, 59 PLC ±, 60 PLC ±, 61 PLC ±, 62 PLC ±, 63 PLC ±, 64 PLC ±, 65 PLC ±, 66 PLC ±, 67 PLC ±, 68 PLC ±, 69 PLC ±, 70 PLC ±, 71 PLC ±, 72 PLC ±, 73 PLC ±, 74 PLC ±, 75 PLC ±, 76 PLC ±, 77 PLC ±, 78 PLC ±, 79 PLC ±, 80 PLC ±, 81 PLC ±, 82 PLC ±, 83 PLC ±, 84 PLC ±, 85 PLC ±, 86 PLC ±, 87 PLC ±, 88 PLC ±, 89 PLC ±, 90 PLC ±, 91 PLC ±, 92 PLC ±, 93 PLC ±, 94 PLC ±, 95 PLC ±, 96 PLC ±, 97 PLC ±, 98 PLC ±, 99 PLC ±, 100 PLC ±.

DATE: 06AUG2012	APPD: F. Füllmer
DATE: 06AUG2012	APPD: M. Reinhardt
PRODUCT SPEC: 108-94286	APPLICATION SPEC: 114-94128
WEIGHT: -	Customer Drawing

STE TE Connectivity

USCAR30 MINI USB-B-HEADER
180 DEG. TH

SIZE: A1 00779 C=2208408

SCALE: 5:1 SHEET: 1 OF 1 REV: B