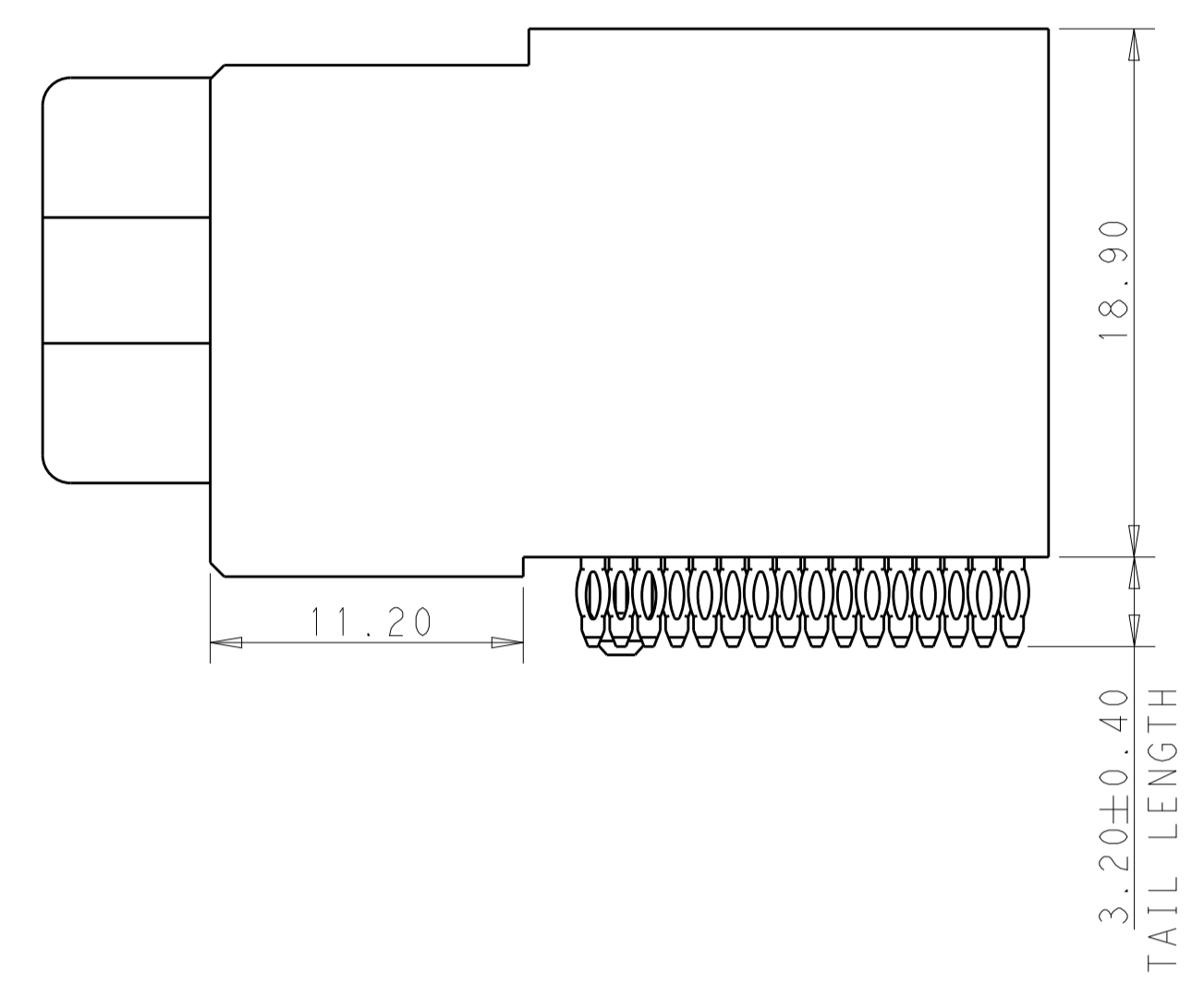
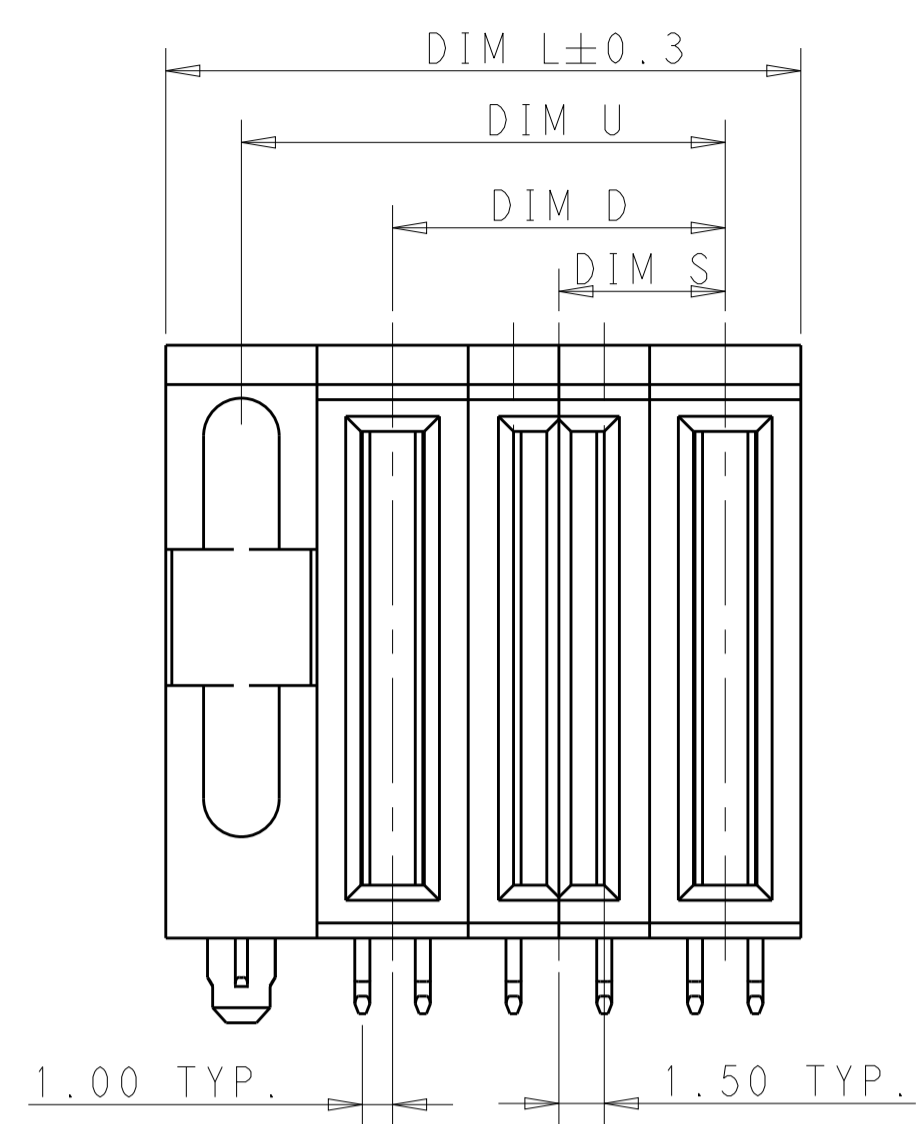
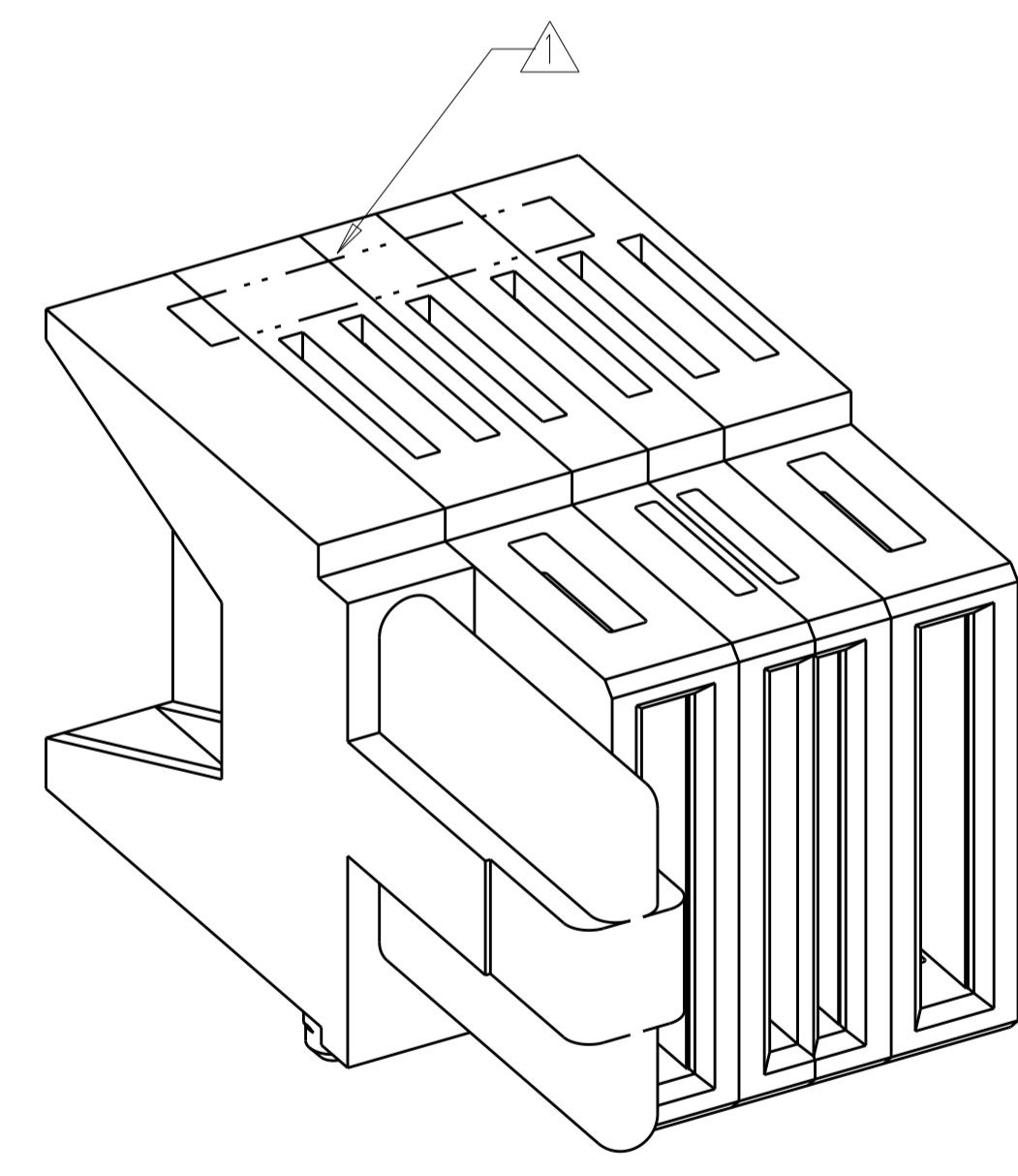
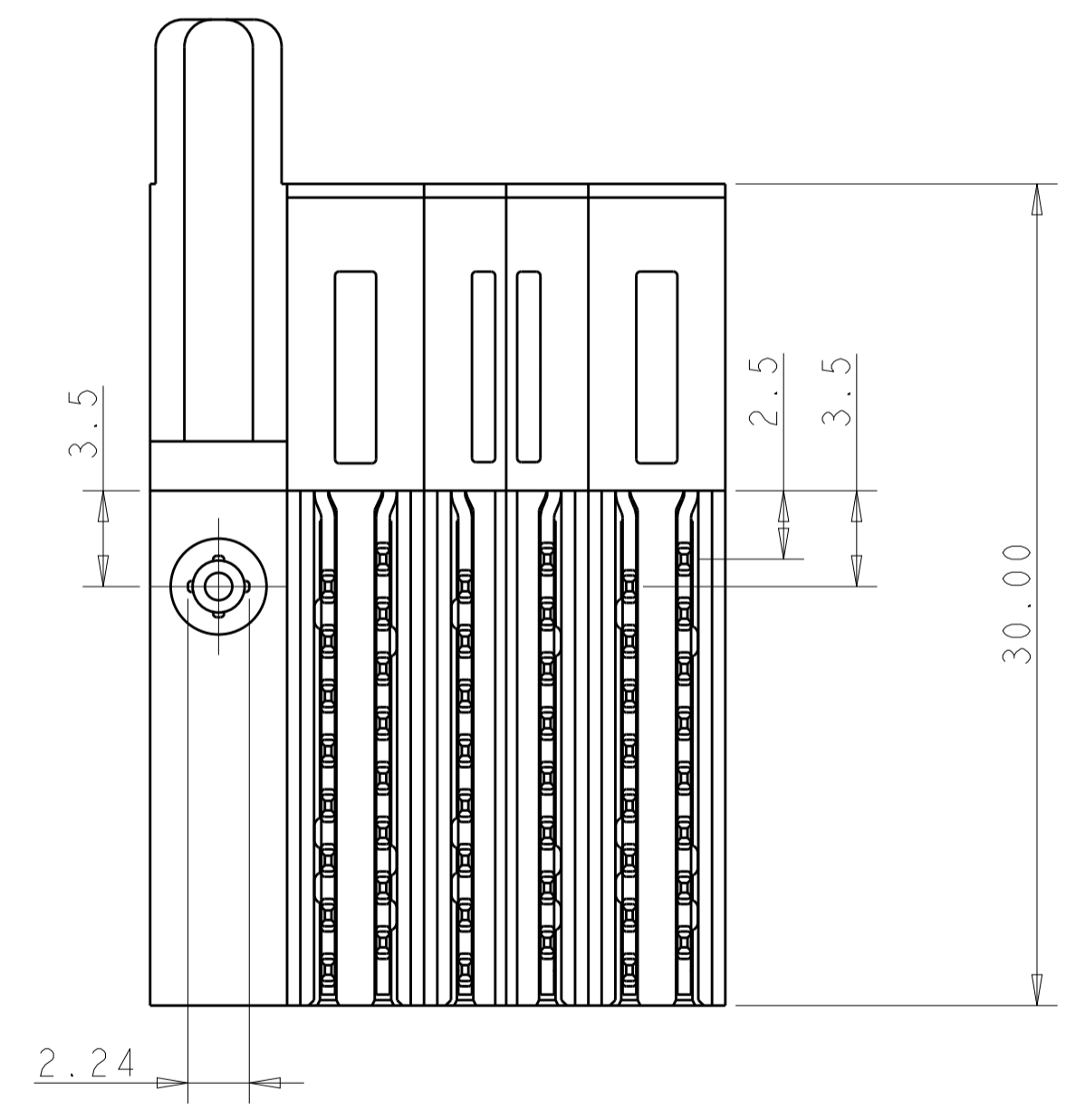


LOC		DIST		REVISIONS			
		P	LTN	DESCRIPTION	DATE	DWN	APVD
		1		PROPOSAL DRAWING	28OCT2016	TZ	SZ
							SZ



NOTES, UNLESS OTHERWISE SPECIFIED:

- 1 "TE", PART NUMBER AND DATE CODE TO BE MARKED IN AREA SHOWN.
- 2 MATERIAL:
HOUSING - GLASS FILLED HIGH TEMP THERMO PLASTIC, COLOR: BLACK, UL94 V-0.
SIGNAL CONTACT - HIGH CONDUCTIVITY COPPER ALLOY.
POWER CONTACT - HIGH CONDUCTIVITY COPPER ALLOY.
- 3 CONTACT PLATING:
MATING AREA - NOBLE METAL OVERALL NICKEL
TAIL SIDE AREA - MATTE TIN OVERALL NICKEL.
- 4 MECHANICAL CONNECTOR KEEP OUT ZONE.
- 5 DATUM AND BASIC DIMENSIONS ESTABLISHED BY CUSTOMER.
- 6 PCB - ALL HOLE DIAMETERS ARE FINISHED HOLE SIZES.
- 7 PCB HOLE:
POWER - 1.15 ± 0.025 MM DRILLED HOLES SIZE PLATING WITH 0.0076 MM MIN. Sn OVER 0.025-0.076 MM Cu PLATING TO ACHIEVE A 1.02 MM DIA. HOLE.
SIGNAL - 0.835 ± 0.025 MM DRILLED HOLES SIZE PLATING WITH 0.0076 MM MIN. Sn OVER 0.025-0.076 MM Cu PLATING TO ACHIEVE A 0.72 MM DIA. HOLE.

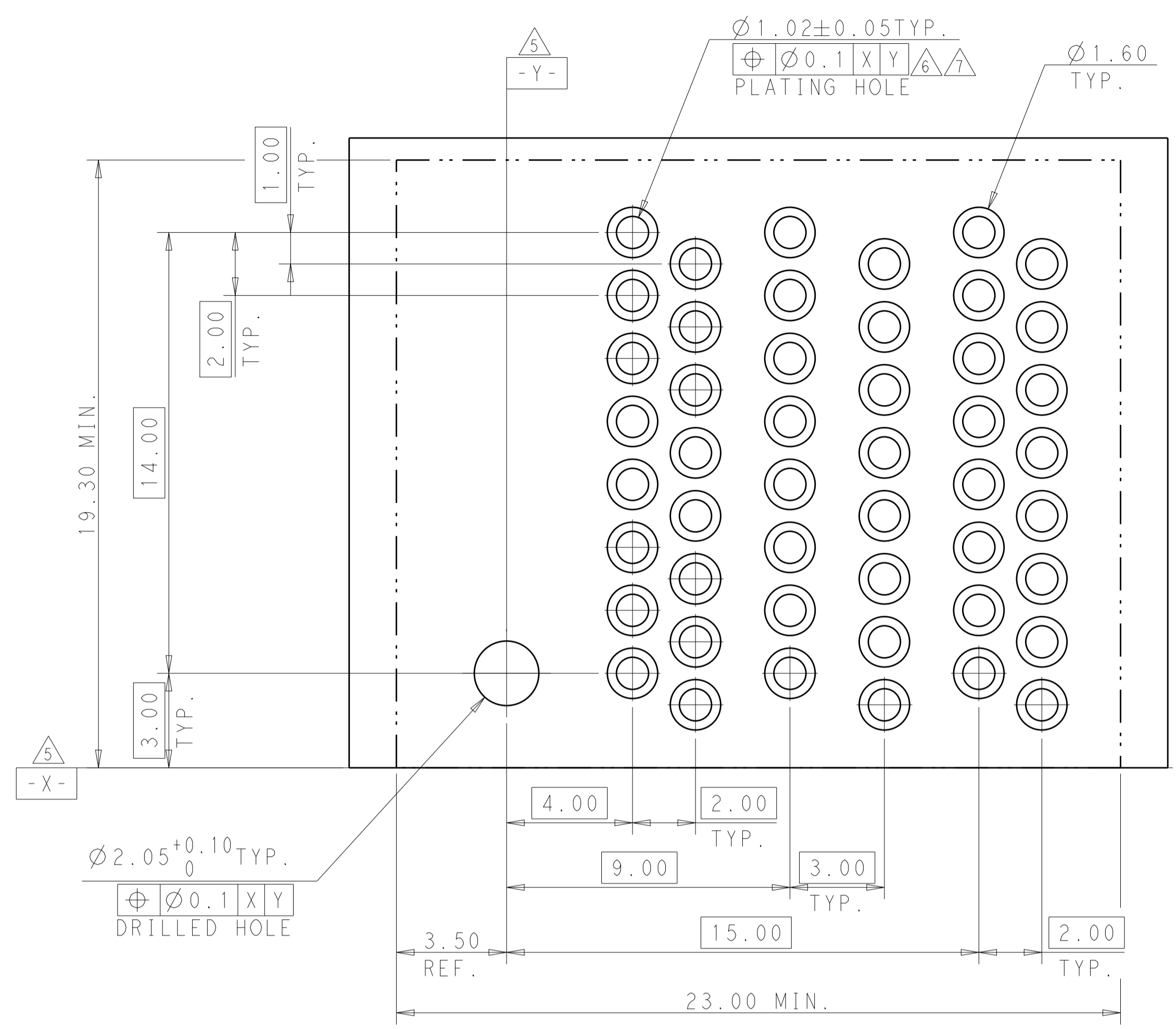


PROPOSED DESIGN
PRODUCT NUMBER WILL BE ASSIGNED WHEN RELEASED
DESIGN IS SUBJECT TO CHANGE WITHOUT NOTICE

21.00	16.00	11.00	5.50	1P+2MP+1P+G	2204405-1
DIM L	DIM U	DIM D	DIM S	DESCRIPTION	PART NUMBER

THIS DRAWING IS A CONTROLLED DOCUMENT.		DWN THOMAS ZHAO 28OCT2016	TE Connectivity
DIMENSIONS: mm		CHK SUNY ZHAO 28OCT2016	
TOLERANCES UNLESS OTHERWISE SPECIFIED:		APVD SUNY ZHAO 28OCT2016	NAME Customer Drawing
0 PLC ±0.4		PRODUCT SPEC	MULTI-BEAM HD CONNECTOR
1 PLC ±0.4		APPLICATION SPEC	R/A REC. P+MP+P+G
2 PLC ±0.75		SIZE CAGE CODE DRAWING NO	RESTRICTED TO
3 PLC ±1.15		WEIGHT	A100779C=2204405
4 PLC ±		CUSTOMER DRAWING	SCALE 4:1 SHEET 1 OF 2 REV 1
ANGLES			

LOC	DIST	REVISIONS			
P	LTH	DESCRIPTION	DATE	DWN	APVD
-	-	SEE SHEET 1	-	-	-



PART NUMBER	GUIDE	POWER			
		P2	M2	M1	P1
2204405-1		PR	MR	MR	PR
IP+2MP+1P+G					

PROPOSED DESIGN
 PRODUCT NUMBER WILL BE
 ASSIGNED WHEN RELEASED
 DESIGN IS SUBJECT TO
 CHANGE WITHOUT NOTICE

POWER CONTACT PRESS-FIT	PR
HALF POWER CONTACT PRESS-FIT	MR
SIGNAL/HP/SIGNAL WITH GUIDE	HOUSING
DESCRIPTION	CODE

THIS DRAWING IS A CONTROLLED DOCUMENT.

DIMENSIONS:	TOLERANCES UNLESS OTHERWISE SPECIFIED:	DWN THOMAS ZHAO 25OCT2016	TE Connectivity
mm	0 PLC ±.4 1 PLC ±0.4 2 PLC ±0.75 3 PLC ±1.0 4 PLC ±.5 ANGLES ±.5	CHK SUNY ZHAO 25OCT2016	
MATERIAL	FINISH	APVD SUNY ZHAO 25OCT2016	NAME Customer Drawing
-	-	PRODUCT SPEC	MULTI-BEAM HD CONNECTOR
-	-	APPLICATION SPEC	R/A PLUG P+LP+P+G
-	-	WEIGHT	SIZE CAGE CODE DRAWING NO
-	-	CUSTOMER DRAWING	A100779C=2204445
-	-	SCALE 4:1	SHEET 2 OF 2
-	-	REV 1	REV 1