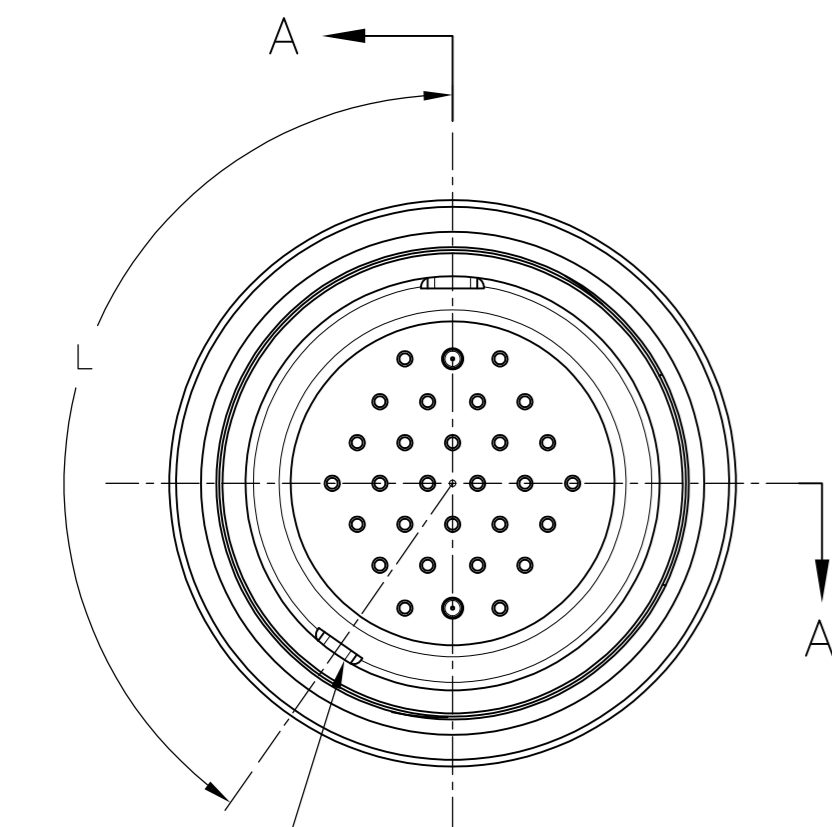
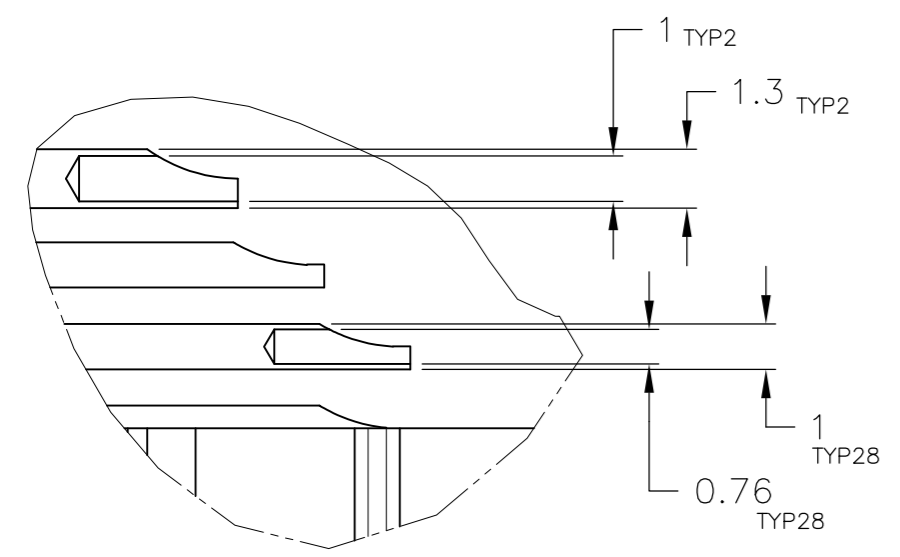
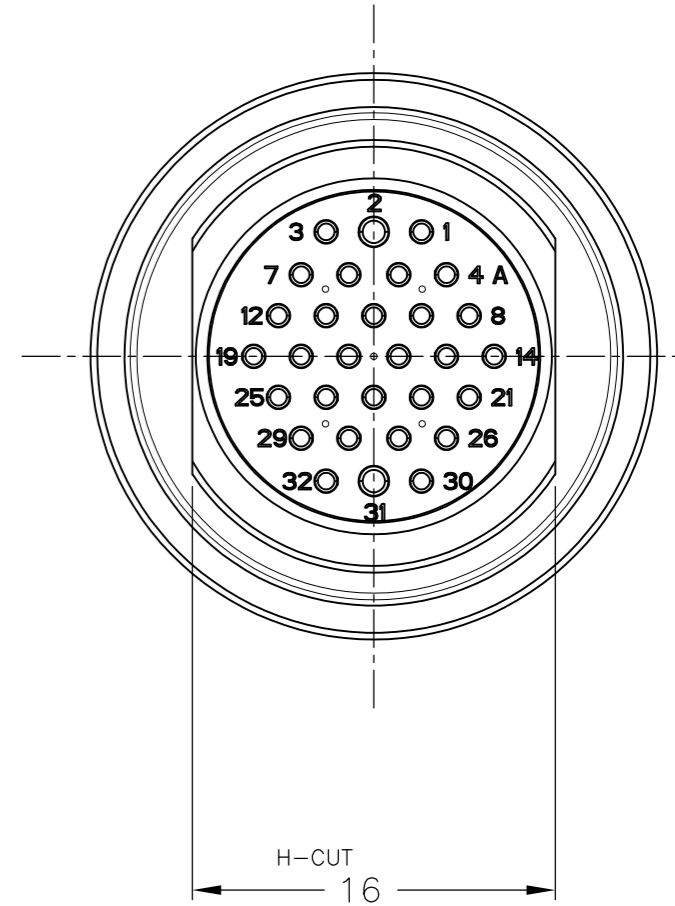
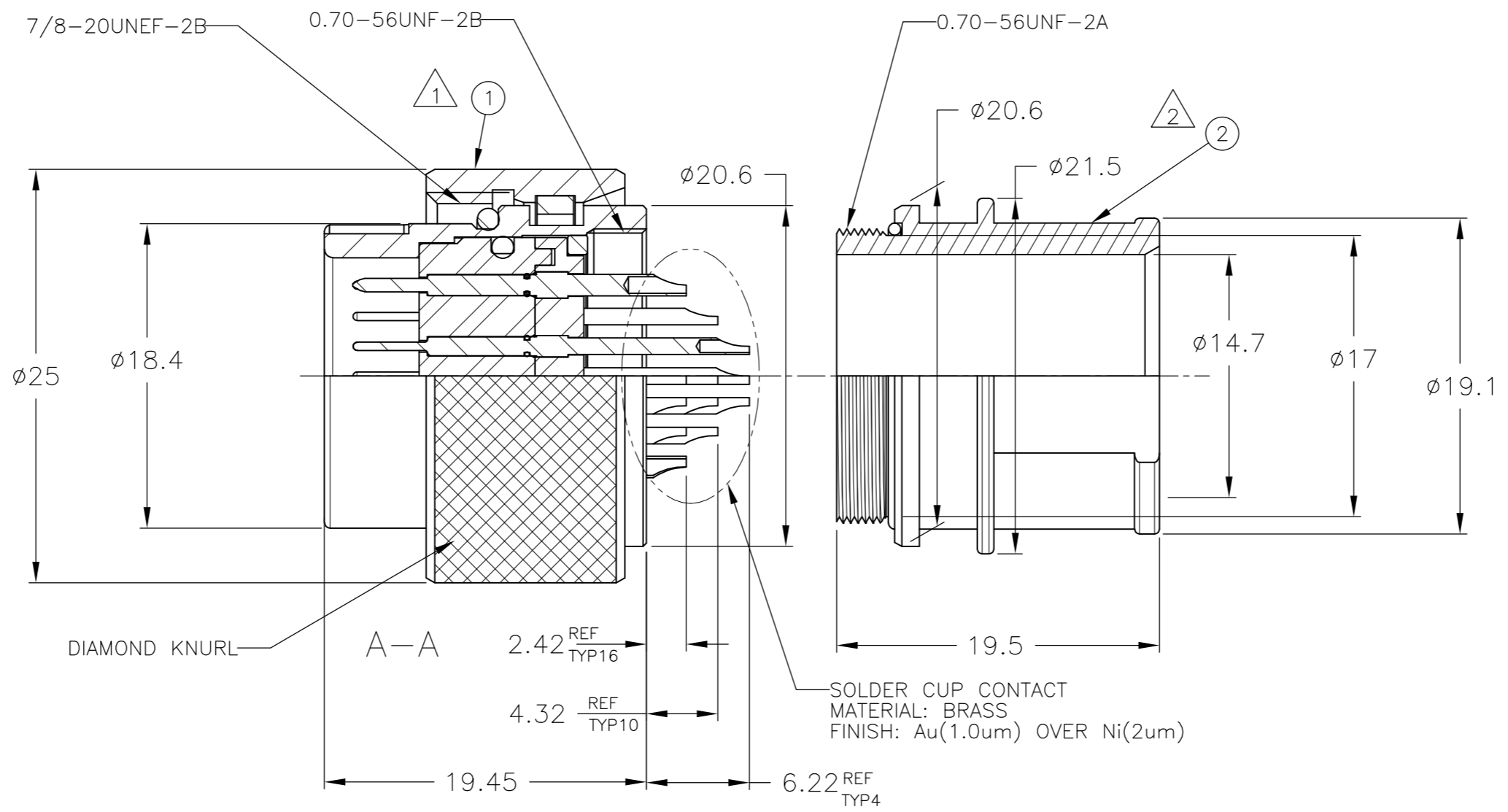


LOC		DIST		REVISIONS			
P	LTR	DESCRIPTION	DATE	DWN	APVD		
J							
	D	REVISED	02MAY2014	H.S	C.O		

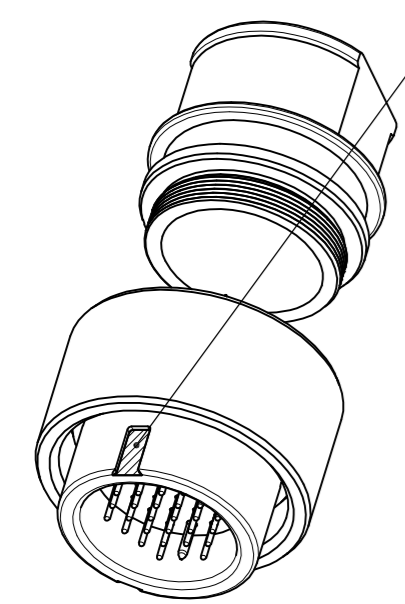
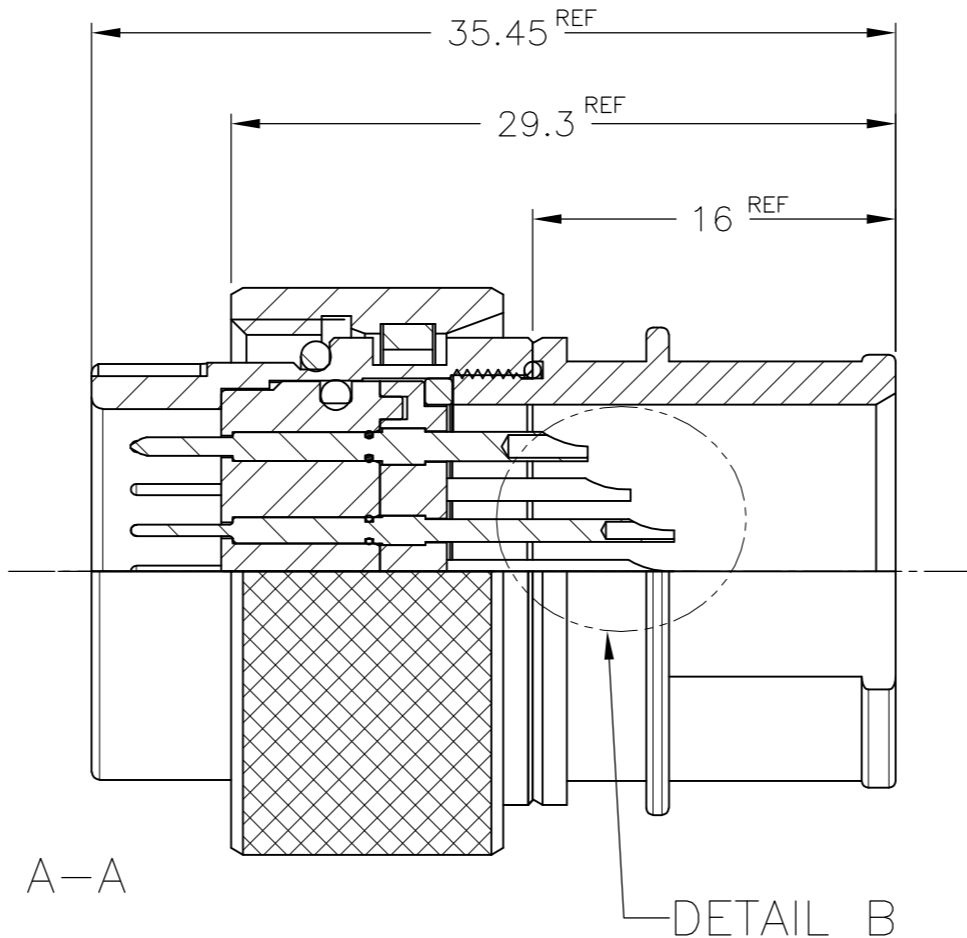
AS SHOWN 2201712-*



KEY TYPE



DETAIL B
 SCALE 6:1



ALIGNMENT INDICATOR
 COLOR : WHITE

REFERENCE SCALE 3:2
 2201712-1

△ MATERIAL: BRASS
 FINISH : BLACK Su-Ni OVER Ni.
 △ KEY POSITION: TYPE N IS NORMAL POSITION.
 OPTION KEY IS TYPE A (-2).

DIM L	DESCRIPTION	PART NO.
215*	TYPE A	2201712-2
145*	TYPE N	2201712-1

QTY REQ. PER ASSY	DESCRIPTION	ITEM NO.	
1	1	30P PLUG ADAPTOR WITH O-RING	②
1	-	30P THREAD PLUG PIN SOCKET / SOLDER CUP CONT ASSY TYPE A	①
-	1	30P THREAD PLUG PIN SOCKET / SOLDER CUP CONT ASSY TYPE N	①
-2	-1		

REVISION OF EACH ASSY NO. (WHEN BLANK, USE DRAWING REVISION)

THIS DRAWING IS A CONTROLLED DOCUMENT.

DWN	H.SUZUKI	27AUG2012
CHK	T.SUGIYAMA	27AUG2012
APVD	T.SUGIYAMA	27AUG2012

TE Connectivity

NMSMC 30P THREAD PLUG PIN SOCKET / SOLDER CUP CONTACT / KIT

SIZE	A2	CAGE CODE	00779	DRAWING NO.	C=2201712	RESTRICTED TO
WEIGHT	46.48g	SCALE	NTS	SHEET	1 OF 1	REV

CUSTOMER DRAWING