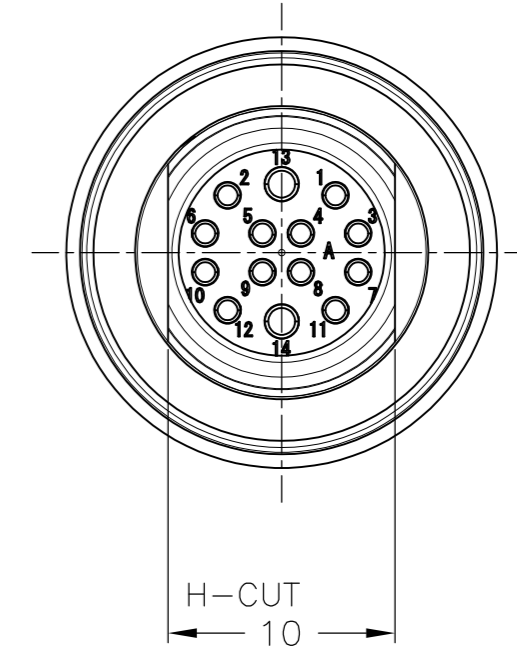
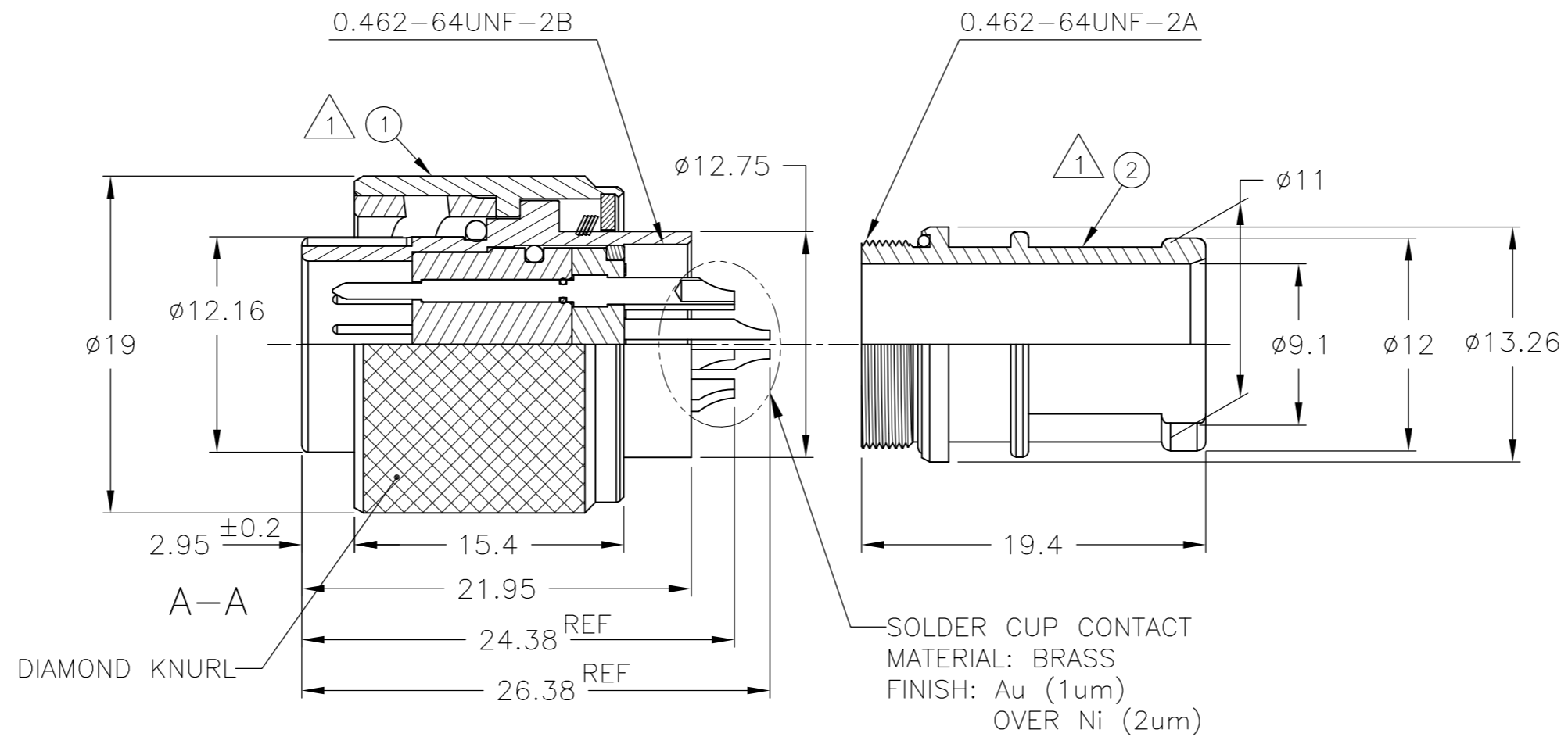
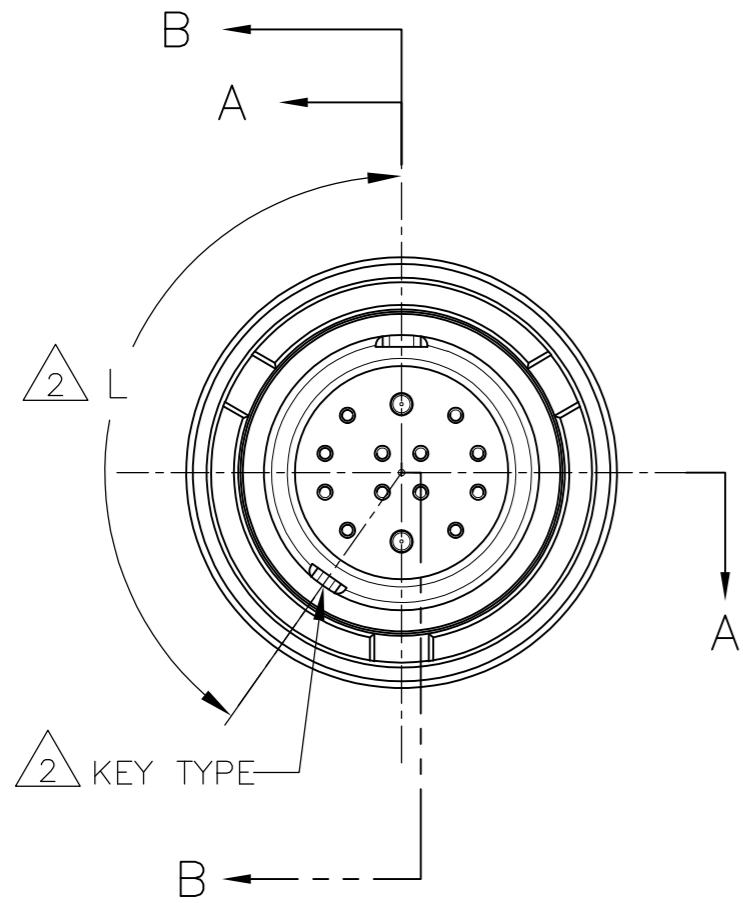
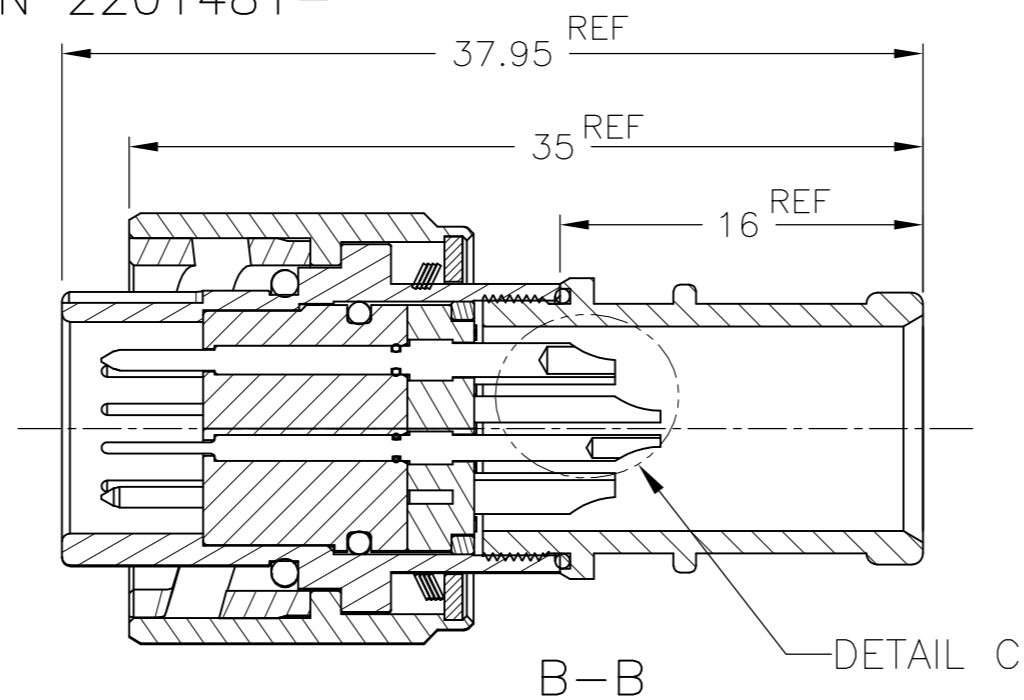
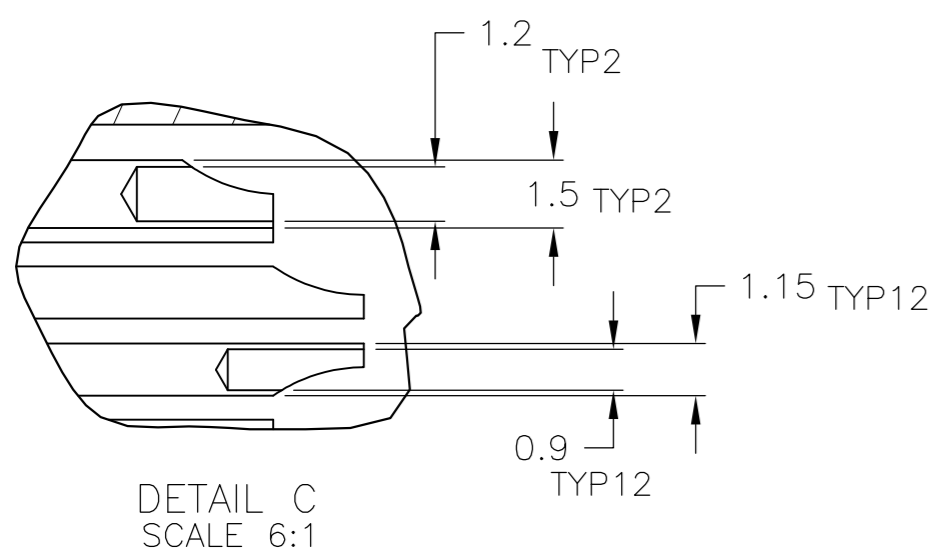


THIS DRAWING IS UNPUBLISHED. RELEASED FOR PUBLICATION AUG, 2012.  
 © COPYRIGHT 2012 Tyco Electronics JAPAN G.K. ALL RIGHTS RESERVED.

LOC	DIST	REVISIONS			
P	LTR	DESCRIPTION	DATE	DWN	APVD
J		G	REVISED	30JUL2014	H.S C.O

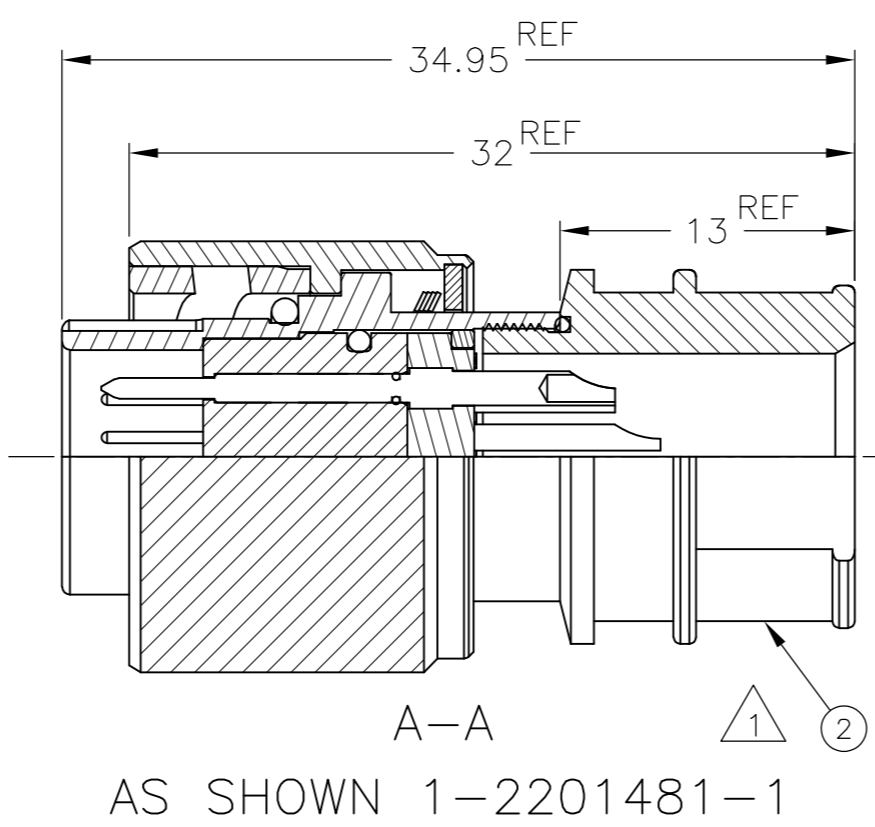
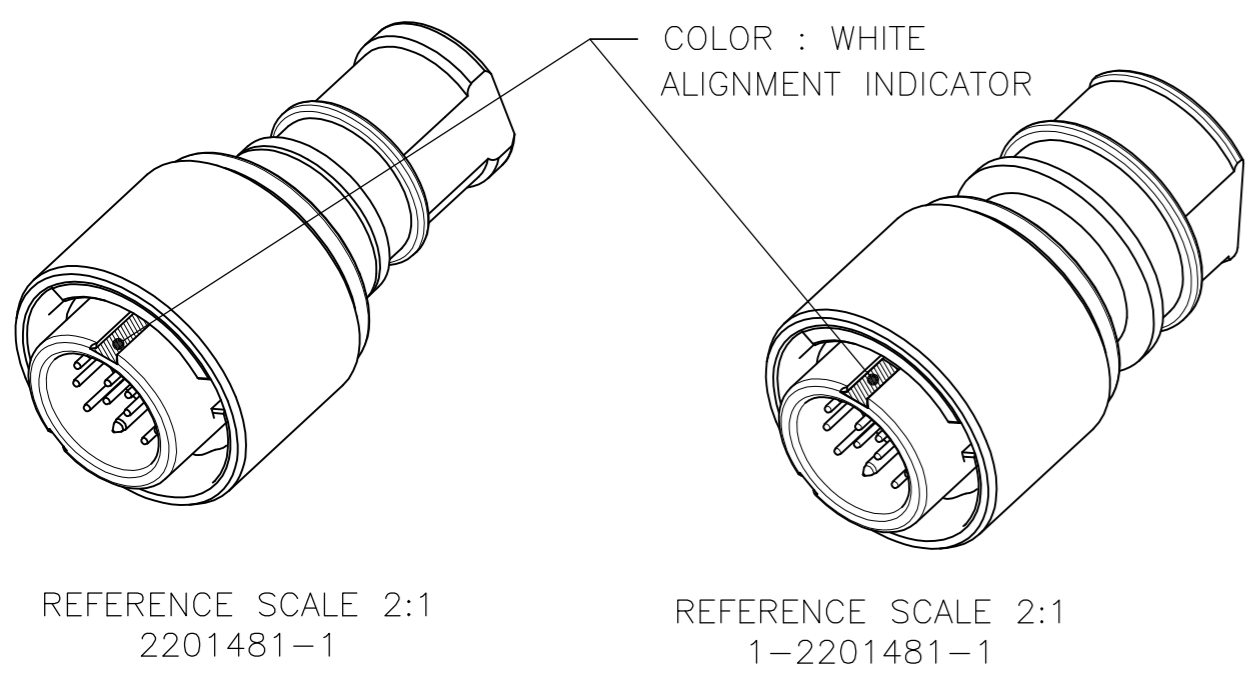


AS SHOWN 2201481-\*



- △ MATERIAL: BRASS  
FINISH : BLACK Su-Ni OVER Ni
- △ KEY POSITION: TYPE N IS NORMAL POSITION.  
OPTION KEY IS TYPE A (-2).
- △ "#" IS BODY No.

△DIM L	DESCRIPTION	PART NO.
145'	TYPE N	1-2201481-1 △
215'	TYPE A	2201481-2
145'	TYPE N	2201481-1



AS SHOWN 1-2201481-1

QTY	REQ.	PER ASSY	DESCRIPTION	ITEM NO.
1	-	-	14P PLUG ADAPTOR WITH O-RING 2	②
-	1	1	14P PLUG ADAPTOR WITH O-RING 1	②
-	1	-	14P BAYONET PLUG PIN SOCKET/SOLDER CUP ASSY TYPE A	①
1	-	1	14P BAYONET PLUG PIN SOCKET/SOLDER CUP ASSY TYPE N	①
1-#-1	-2	-1	DESCRIPTION	ITEM NO.

THIS DRAWING IS A CONTROLLED DOCUMENT.

DWN	H.SUZUKI	27AUG2012
CHK	T.SUGIYAMA	27AUG2012
APVD	T.SUGIYAMA	27AUG2012

TE Connectivity

NMSMC 14P BAYONET PLUG PIN SOCKET / SOLDER CUP CONT KIT

108-78967

114-5503

WEIGHT 29.295g

SCALE 3:1 SHEET 1 OF 1 REV G