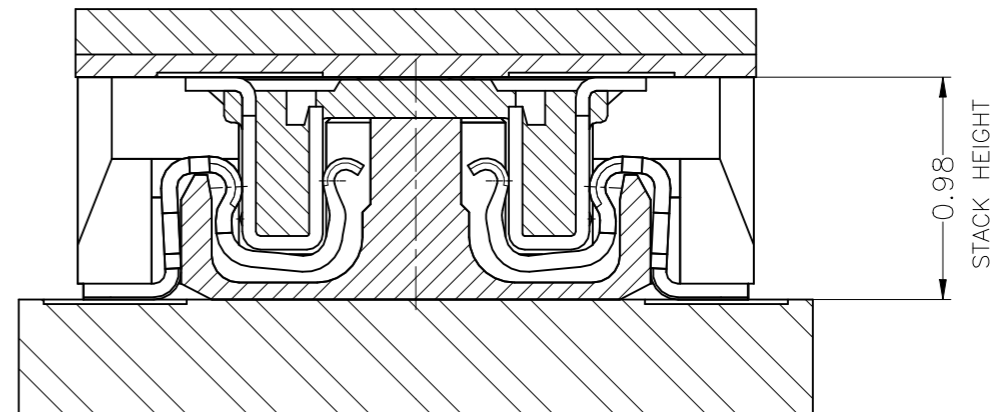
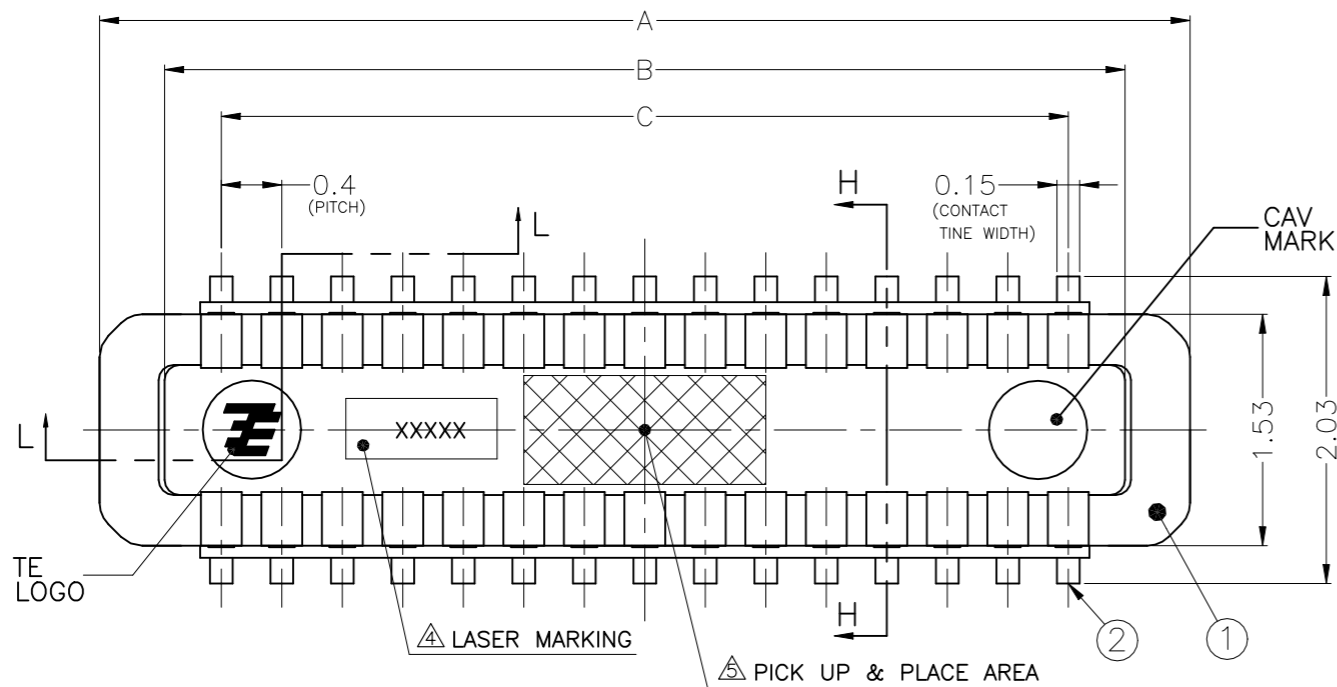
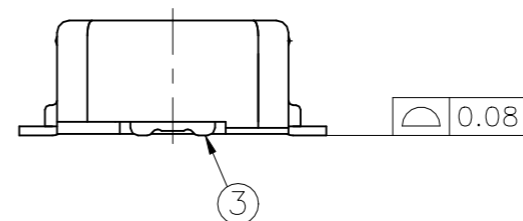
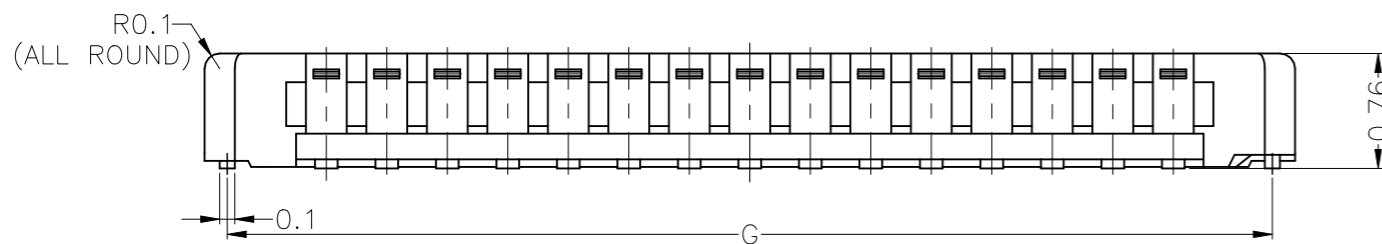
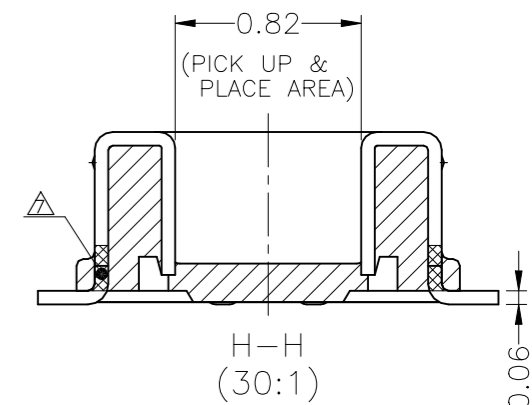


P	LTR	DESCRIPTION	DATE	DWN	APVD
A1	REVISED		15DEC2021	N.U	K.K



MATING CROSS SECTION (30:1)



Ni UNDER PL; 0.65um Sn PL.; 2~5um	COPPER ALLOY	PLUG PEG	3
Ni UNDER PL; 0.65um Au PL.(CONTACT AREA); 0.1um MIN. Au PL.(TINE AREA); 0.05um MIN.	COPPER ALLOY	PLUG CONTACT	2
	LCP,UL94V-0,BLACK	PLUG HOUSING	1
		NAME	ITEM NO.

THIS DRAWING IS A CONTROLLED DOCUMENT.

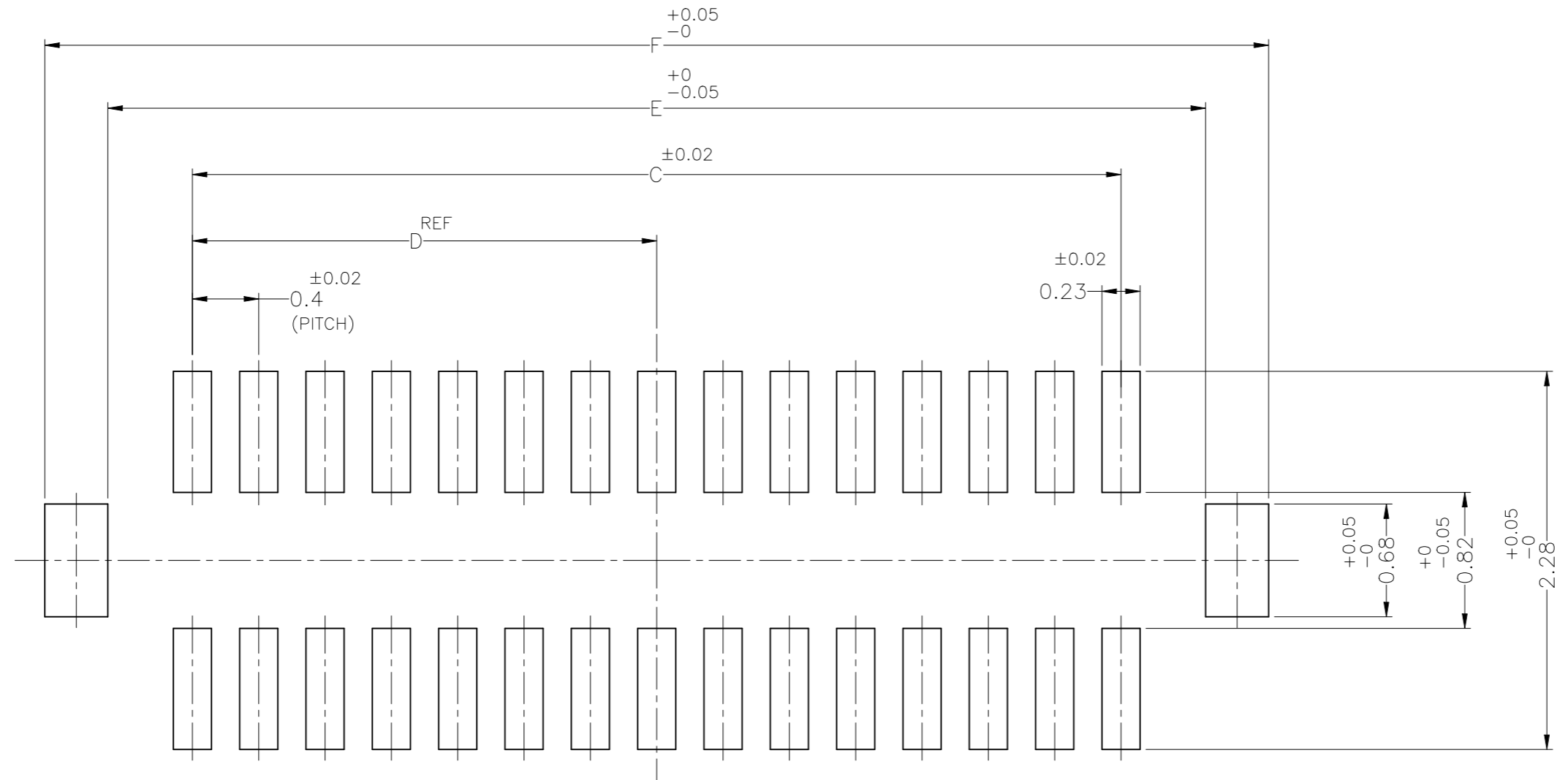
DIMENSIONS:	TOLERANCES UNLESS OTHERWISE SPECIFIED:
mm	
	0 PLC ± 0.1
	1 PLC ± 0.1
	2 PLC ± 0.1
	3 PLC ± 0.1
	4 PLC ± 0.1
	ANGLES ± 3°
MATERIAL	FINISH

DWN	C.HIKAGE	02AUG2012
CHK	A.KUBO	02AUG2012
APVD	T.KUSUHARA	02AUG2012
PRODUCT SPEC	108-78916	
APPLICATION SPEC	411-78379	
WEIGHT		
CUSTOMER DRAWING		

STE TE Connectivity Ltd.

NAME				0.4mm PITCH STACKING CONNECTOR PLUG ASSEMBLY 0.98mm HEIGHT			
SIZE	CAGE CODE	DRAWING NO	RESTRICTED TO				
A3	00779	C-2201196	-				
SCALE		SHEET		REV			
20:1		1 of 3		A1			

REVISIONS					
P	LTR	DESCRIPTION	DATE	DWN	APVD
-	-	SEE SHEET 1	-	-	-



△ REFERENCE PCB LAYOUT
(VIEWED FROM MOUNTING SIDE)

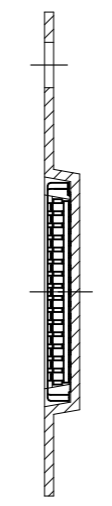
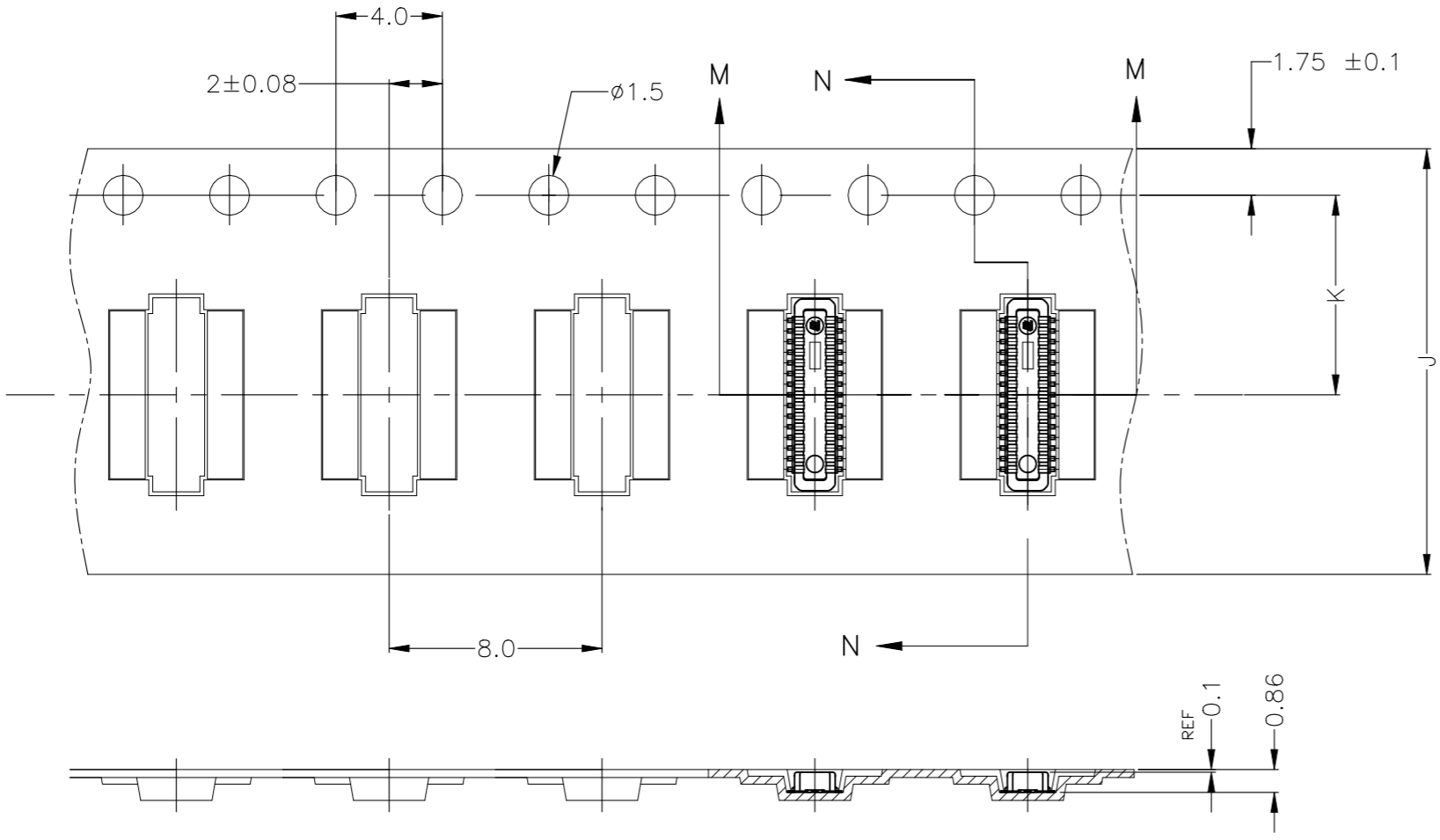
NOTE

- ① MATERIAL REFER TO THE TABLE.
- ② FINISH REFER TO THE TABLE.
- 3. MATING CONNECTOR : P/N: *-2201197-*
- ④ LASER MARKING; XXXXX
DATE CODE MACHINE CODE
(YWW)
- ⑤ PICK UP THE CONNECTOR AT CENTER
- ⑥ RECOMMENDED METAL MASK; THICKNESS 0.1mm
- ⑦ Ni DAM AREA

THIS DRAWING IS A CONTROLLED DOCUMENT.		DWN	TE Connectivity Ltd.		
		CHK			
DIMENSIONS: mm		APVD	NAME		
		PRODUCT SPEC	0.4mm PITCH STACKING CONNECTOR PLUG ASSEMBLY 0.98mm HEIGHT		
TOLERANCES UNLESS OTHERWISE SPECIFIED:		APPLICATION SPEC	RESTRICTED TO		
MATERIAL		WEIGHT	SIZE	CAGE CODE	DRAWING NO
FINISH		A3		00779	C-2201196
		CUSTOMER DRAWING		SCALE	SHEET
				NTS	2 OF 3
				REV	A1

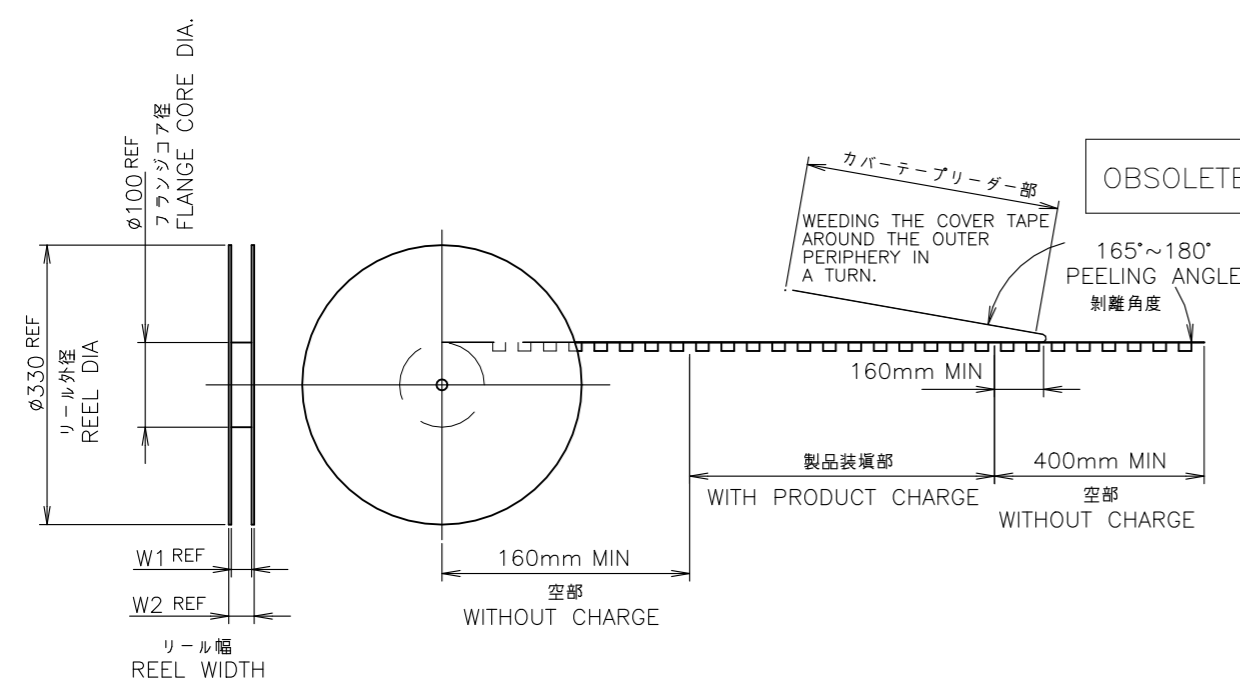
P	LTR	DESCRIPTION	DATE	DWN	APVD
-	-	SEE SHEET 1	-	-	-

UNREELING DIRECTION



N-N

M-M



OBSOLETE

741.0	22.1	17.5	7.5	16	6.91	7.38	6.62	2.8	5.6	6.35	7.21
731.5	22.1	17.5	7.5	16	5.71	6.18	5.42	2.2	4.4	5.15	6.01
708.5	18.1	13.5	5.5	12	2.91	3.38	2.62	0.8	1.6	2.35	3.21
REEL WEIGHT(g)	W2	W1	K	J	G	F	E	D	C	B	A
DIMENSIONS											

5000	30	3-2201196-0
	24	2-2201196-4
	10	1-2201196-0
QTY/REEL	Pos.	PART NUMBER

THIS DRAWING IS A CONTROLLED DOCUMENT.

DIMENSIONS:	TOLERANCES UNLESS OTHERWISE SPECIFIED:
mm	
	0 PLC ± 0.1
	1 PLC ± 0.1
	2 PLC ± 0.1
	3 PLC ± 0.1
	4 PLC ± 0.1
	ANGLES ± 3°
MATERIAL	FINISH

DWN	-
CHK	-
APVD	-
PRODUCT SPEC	-
APPLICATION SPEC	-
WEIGHT	-



0.4mm PITCH STACKING CONNECTOR
PLUG ASSEMBLY 0.98mm HEIGHT

SIZE	CAGE CODE	DRAWING NO	RESTRICTED TO
A3	00779	C-2201196	