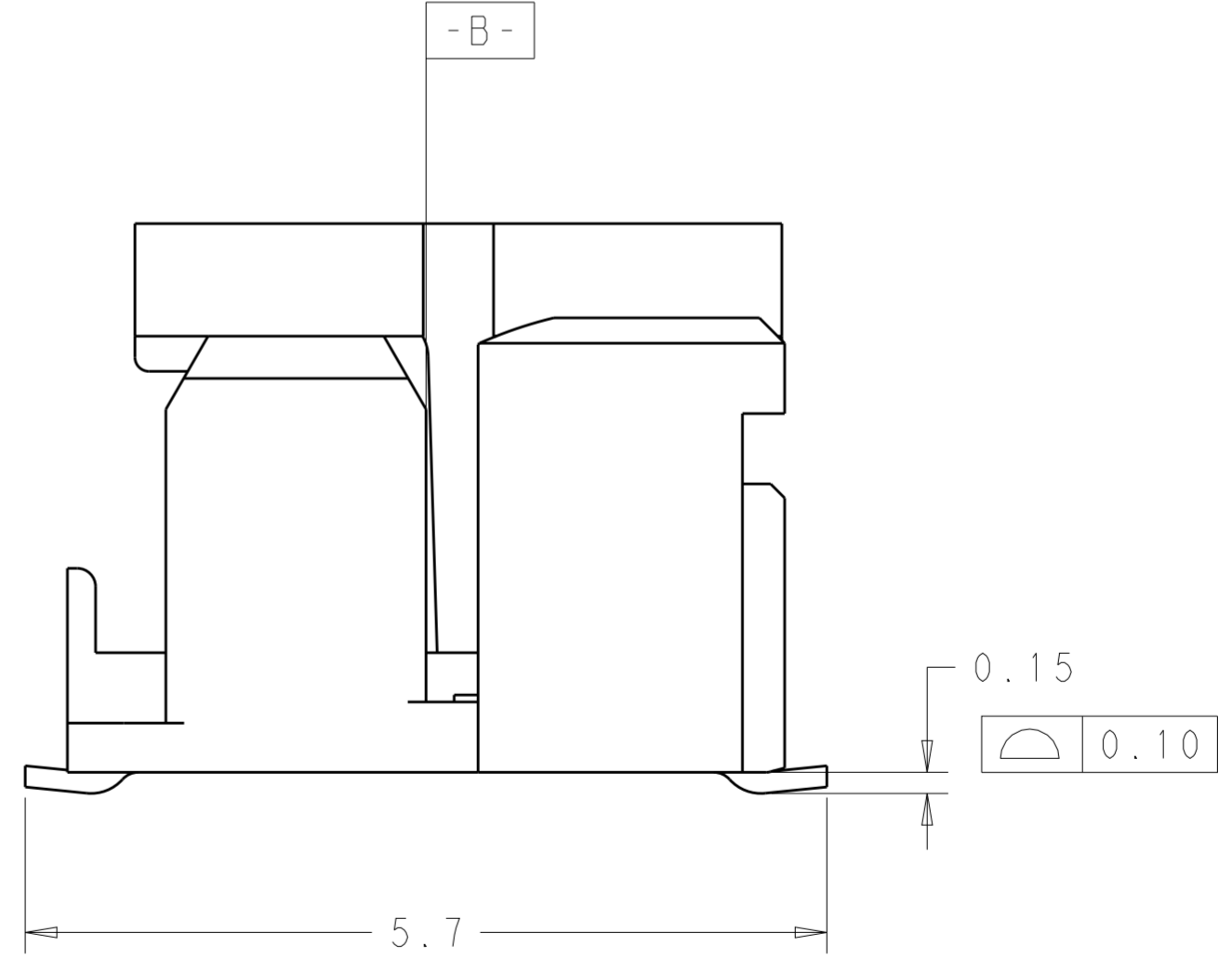
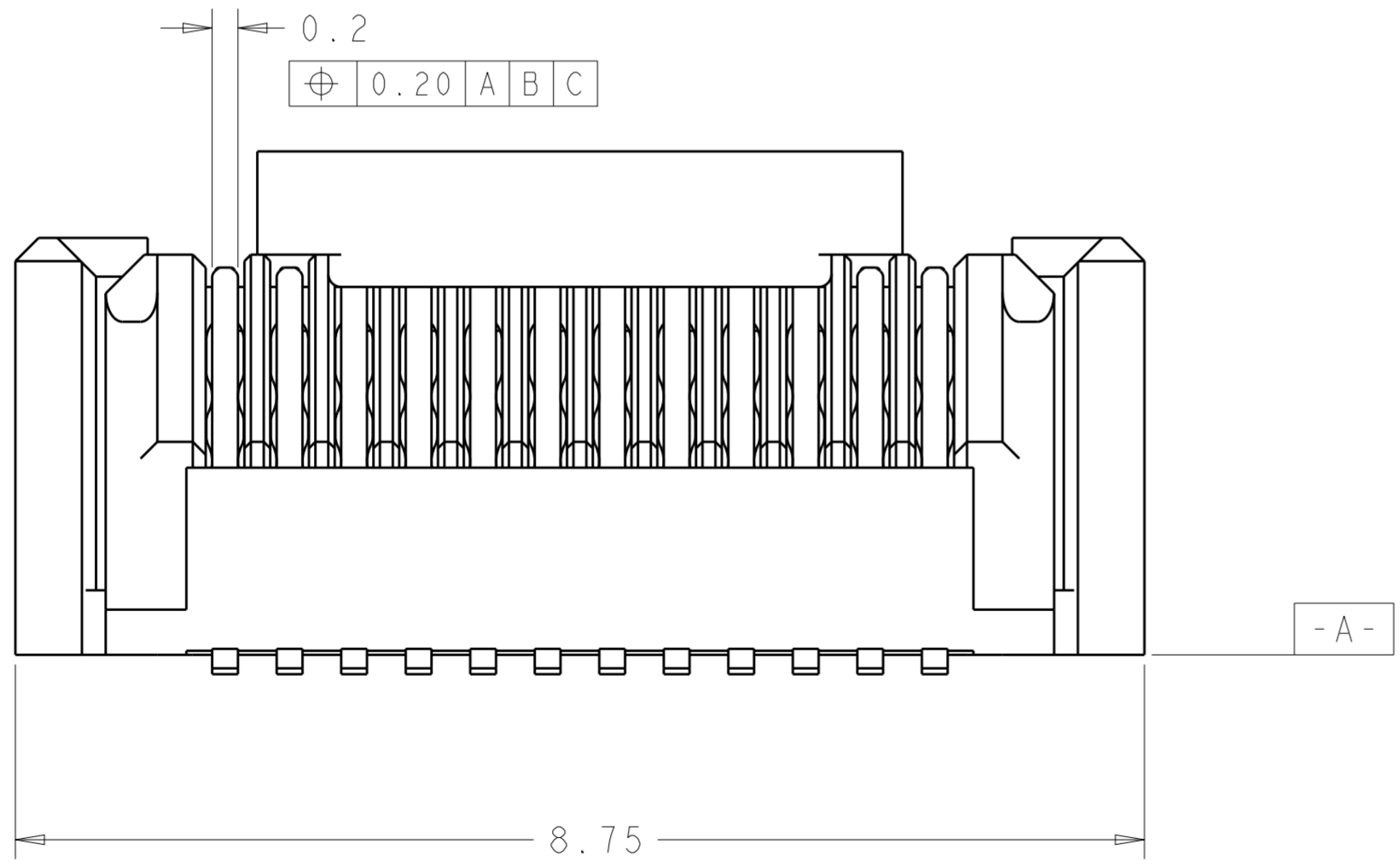
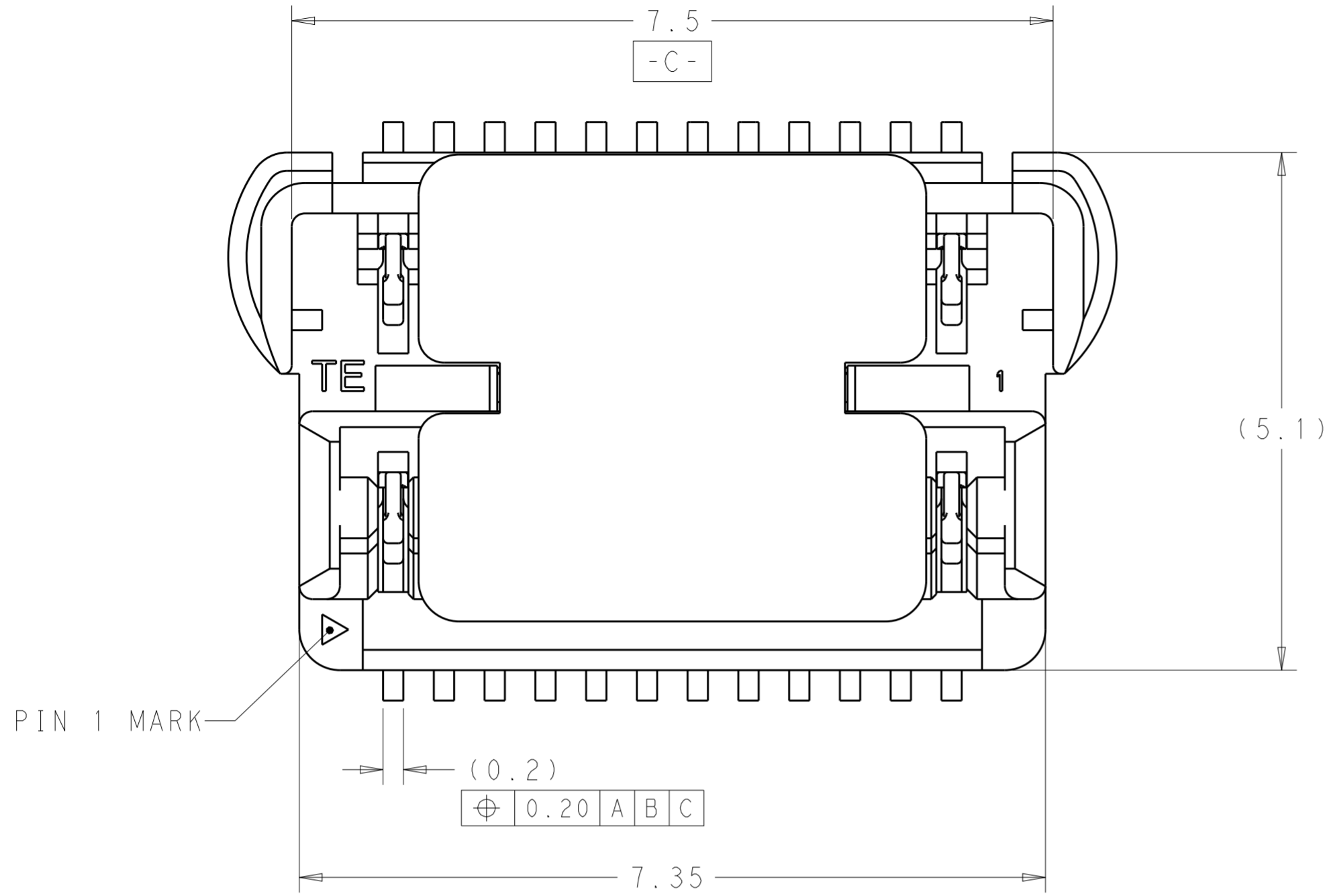


THIS DRAWING IS UNPUBLISHED. RELEASED FOR PUBLICATION 20
 © COPYRIGHT 20 ALL RIGHTS RESERVED.

REVISIONS				
P	LTR	DESCRIPTION	DATE	APVD
A		NEW RELEASE	27JUL2017	B. J S. Y



NOTES:

1. MATERIALS:

HOUSING: L.C.P (HIGH TEMP THERMO PLASTIC) UL 94V-0, BLACK

CAP: L.C.P (HIGH TEMP THERMO PLASTIC) UL 94V-0, NATURAL

CONTACT: COPPER ALLOY

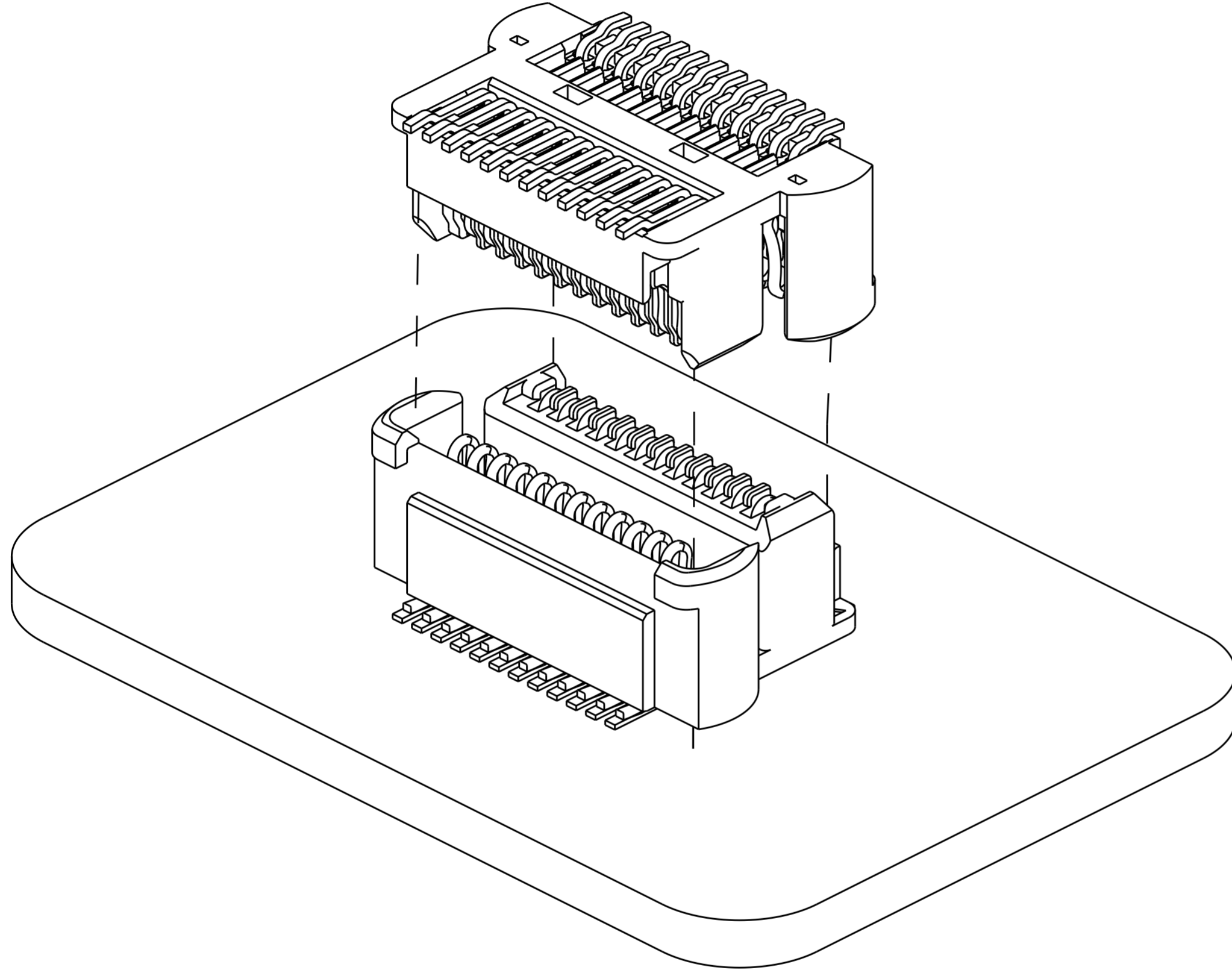
2. FINISH:

ENGAGEMENT AREA: 0.00038MM MIN GOLD
 SOLDERING AREA: 0.00005MM MIN GOLD
 UNDERCOAT: 0.00127MM MIN NICKEL ALL OVER

THIS DRAWING IS A CONTROLLED DOCUMENT.		DWN IVAN TIAN 04MAR2014	TE Connectivity	
		CHK WENKE HE 04MAR2014		
DIMENSIONS: mm		TOLERANCES UNLESS OTHERWISE SPECIFIED:		NAME 0.5MM FINE STACKING BTB, 24 POS 4MM HEIGHT, EMBOSS, WITH CAP HERMAPHRODITIC TYPE CONNECTOR
		0 PLC ±	1 PLC ±0.30	PRODUCT SPEC 108-115057
MATERIAL SEE NOTE 1		2 PLC ±0.10	3 PLC ±	APPLICATION SPEC 114-115008
		4 PLC ±	ANGLES ±1°	FINISH SEE P/N TABLE
		WEIGHT 0.167 G		SIZE A2
		CUSTOMER DRAWING		CAGE CODE 200779
		SCALE 11:1		DRAWING NO C-2199325
		SHEET 1 OF 4		RESTRICTED TO -
		REV A		

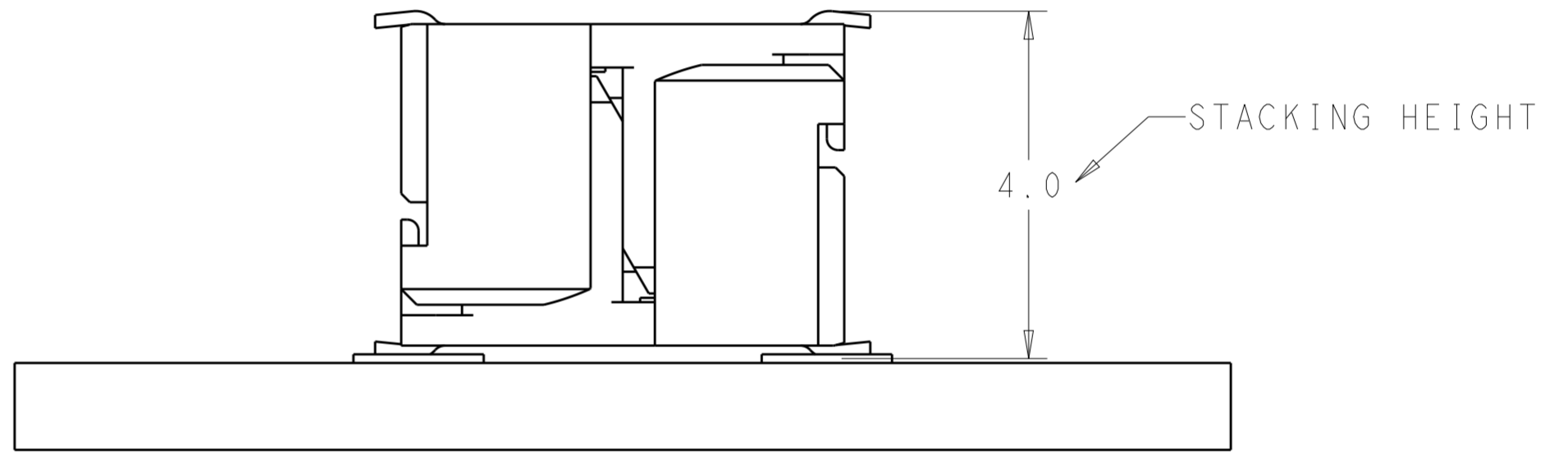
THIS DRAWING IS UNPUBLISHED. RELEASED FOR PUBLICATION 20
 © COPYRIGHT 20 ALL RIGHTS RESERVED.

REVISIONS				
P	LTR	DESCRIPTION	DATE	APVD
-	-	SEE SHEET 1	-	-



MATED WITH SAME CONNECTOR

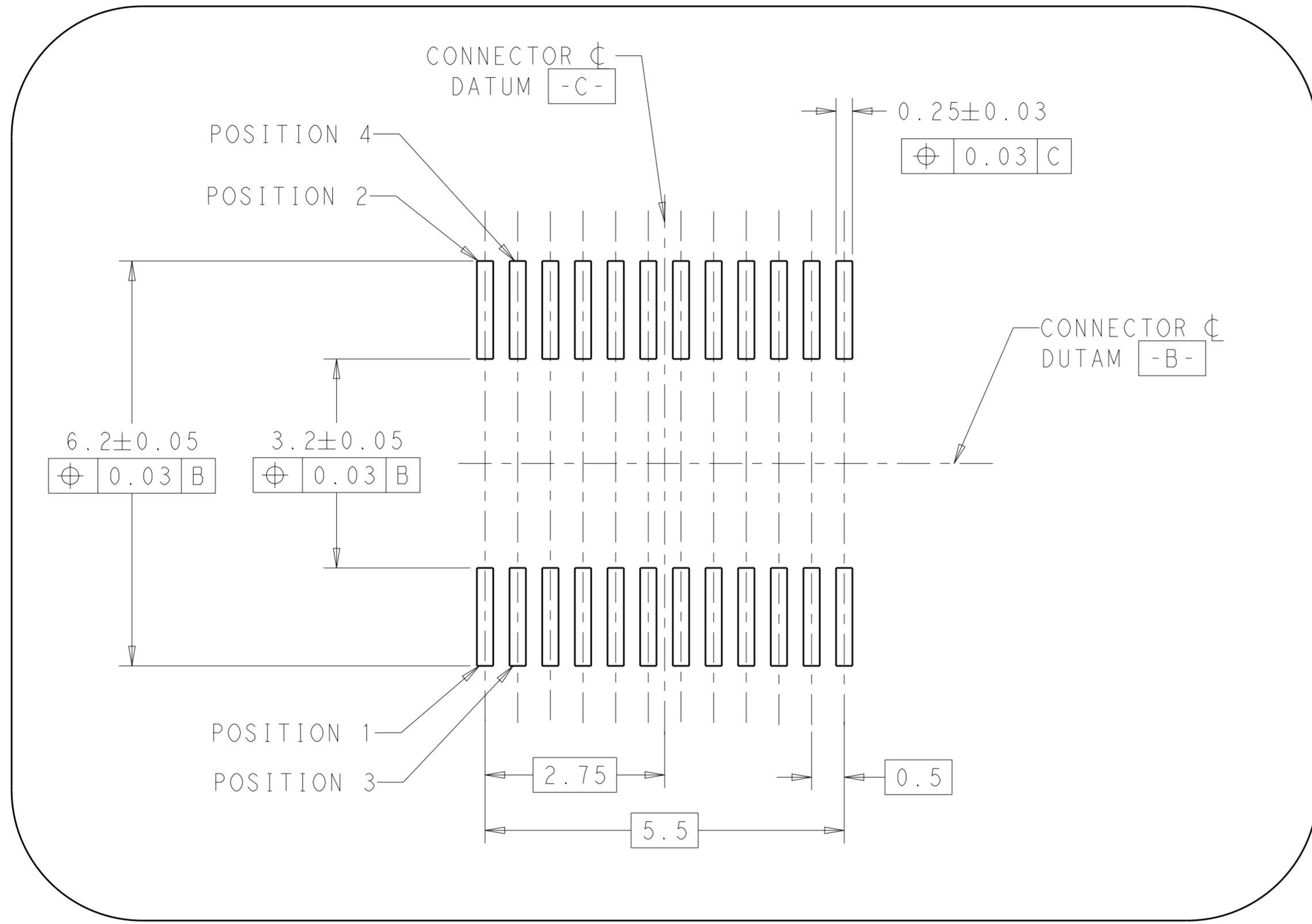
MATED CONNECTORS WITHOUT CAP



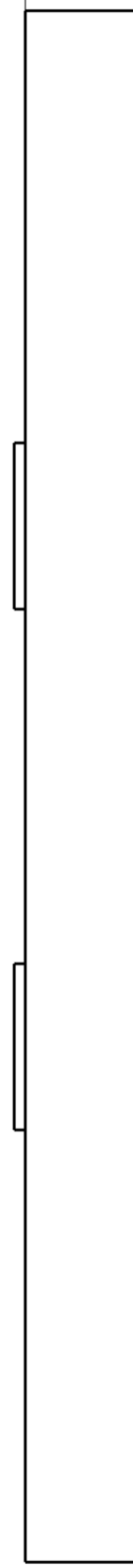
THIS DRAWING IS A CONTROLLED DOCUMENT.		DWN 04MAR2014 IVAN TIAN	STE TE Connectivity	
		CHK 04MAR2014 WENKE HE		
DIMENSIONS:	TOLERANCES UNLESS OTHERWISE SPECIFIED:	APVD -	NAME	
mm	0 PLC ± 1 PLC ±0.30 2 PLC ±0.10 3 PLC ± 4 PLC ±	PRODUCT SPEC	0.5MM FINE STACKING BTB, 24 POS	
	ANGLES ±1°	APPLICATION SPEC	4MM HEIGHT, EMBOSS, WITH CAP	
MATERIAL	FINISH	114-115008	SIZE	CAGE CODE
SEE NOTE 1	SEE P/N TABLE	WEIGHT 0.167 G	A200779	DRAWING NO
		CUSTOMER DRAWING	C-2199325	RESTRICTED TO
		SCALE 11:1	SHEET 2 OF 4	REV A

THIS DRAWING IS UNPUBLISHED. RELEASED FOR PUBLICATION 20
 © COPYRIGHT 20 ALL RIGHTS RESERVED.

REVISIONS					
P	LTR	DESCRIPTION	DATE	DWN	APVD
-	-	SEE SHEET 1	-	-	-



- A -

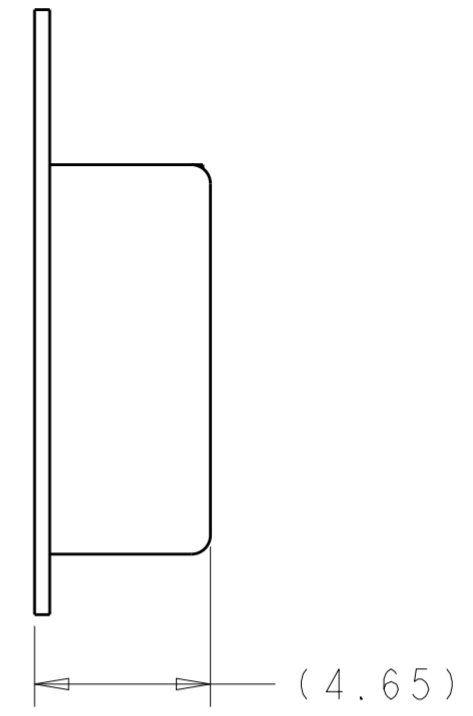
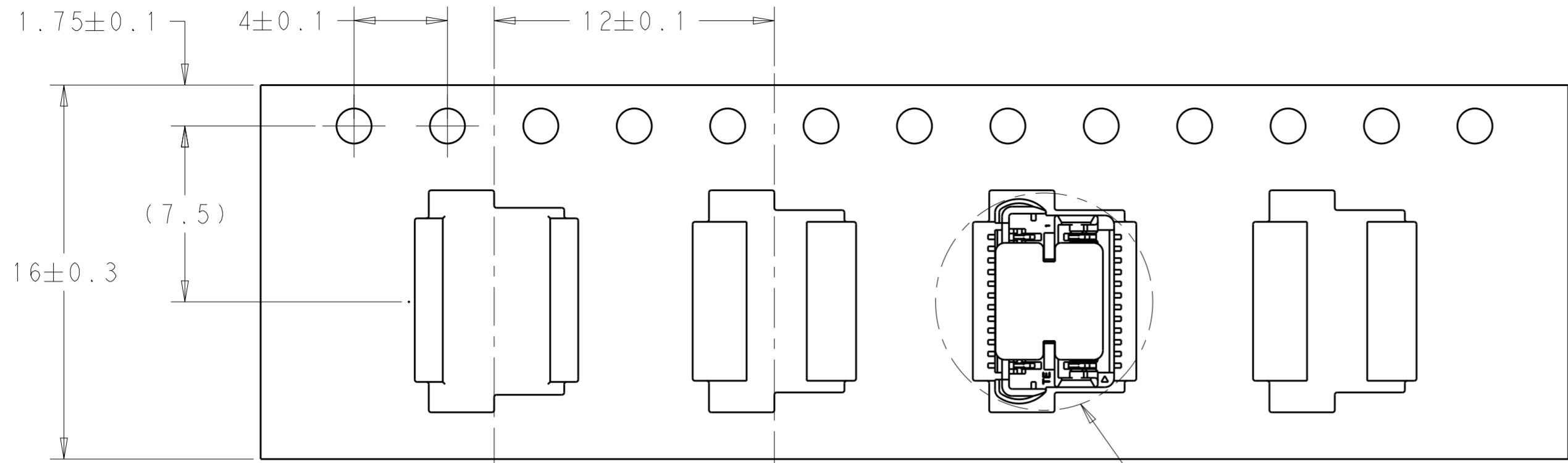


RECOMMENDED FOOTPRINT

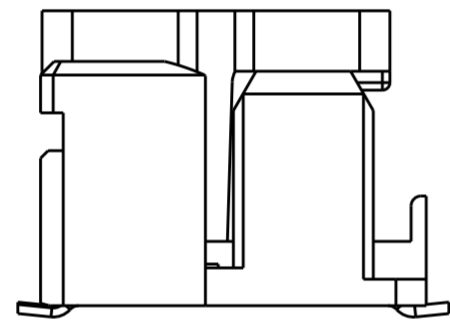
THIS DRAWING IS A CONTROLLED DOCUMENT.		DWN 04MAR2014 IVAN TIAN	TE Connectivity	
		CHK 04MAR2014 WENKE HE		
DIMENSIONS: mm		APVD -	NAME	
TOLERANCES UNLESS OTHERWISE SPECIFIED:		PRODUCT SPEC	0.5MM FINE STACKING BTB, 24 POS	
0 PLC ±		108-115057	4MM HEIGHT, EMBOSS, WITH CAP	
1 PLC ±0.30		APPLICATION SPEC	HERMAPHRODITIC TYPE CONNECTOR	
2 PLC ±0.10		114-115008	SIZE	CAGE CODE
3 PLC ±		WEIGHT	A200779	DRAWING NO
4 PLC ±		0.167 G	C-2199325	
ANGLES ±1°		CUSTOMER DRAWING	SCALE	SHEET
FINISH			11:1	3 OF 4
MATERIAL SEE NOTE 1				REV A
SEE P/N TABLE				

THIS DRAWING IS UNPUBLISHED. RELEASED FOR PUBLICATION 20
 © COPYRIGHT 20 ALL RIGHTS RESERVED.

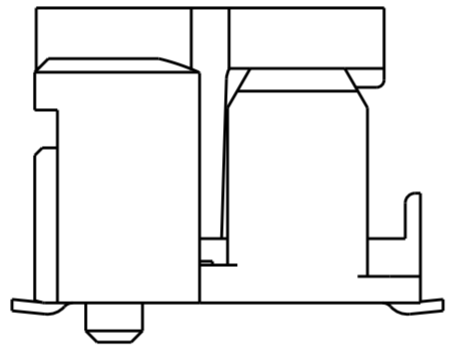
REVISIONS				
P	LTR	DESCRIPTION	DATE	APVD
-		SEE SHEET 1	-	-



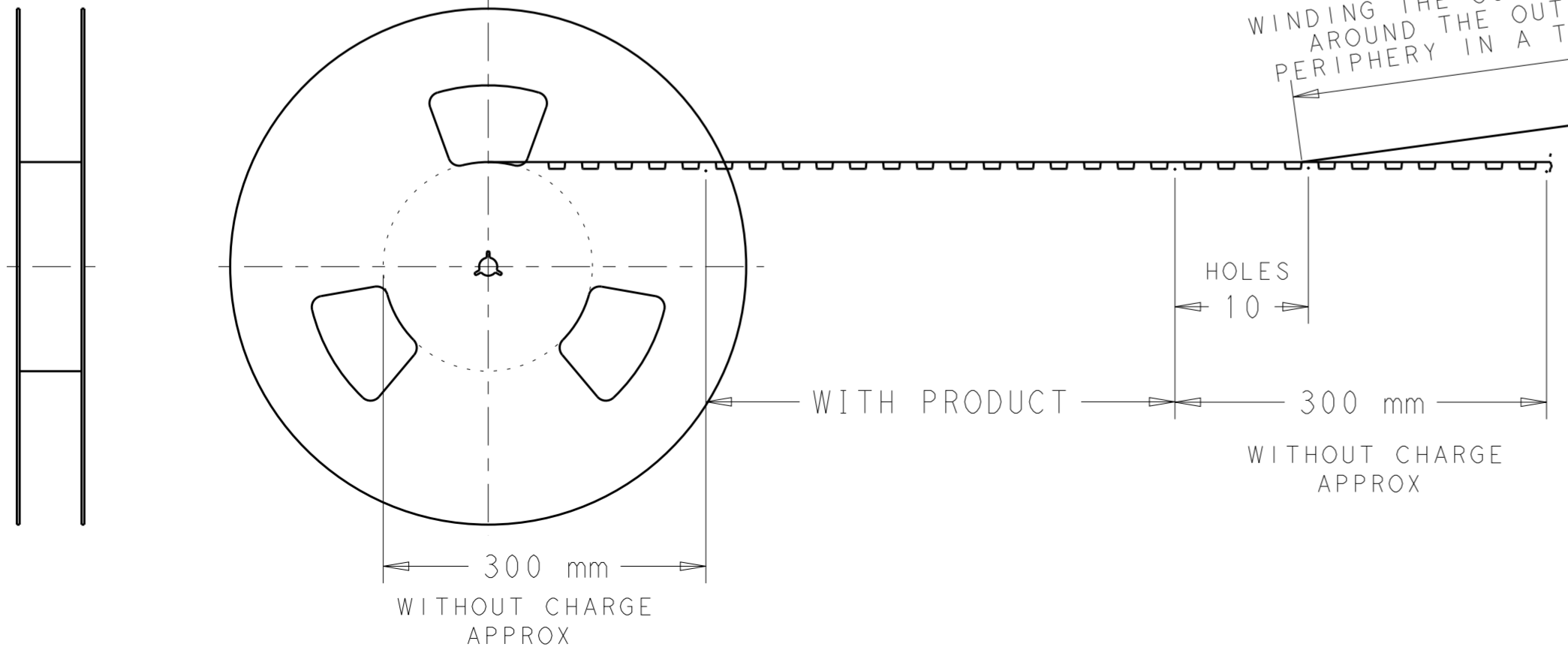
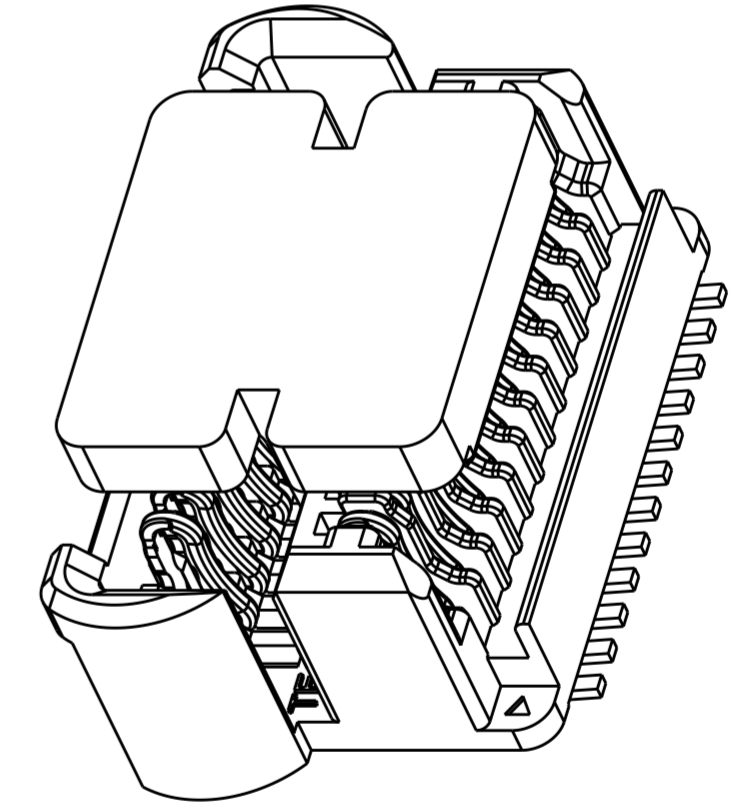
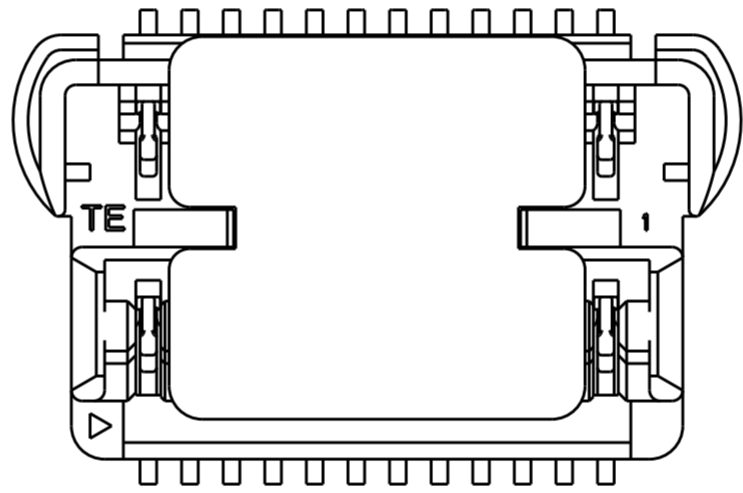
DETAIL CONNECTOR



2199325-4
WITHOUT POST



1-2199325-4
WITH POST



2	300	24	2199070-4
FINISH	QTY	POS	P/N

THIS DRAWING IS A CONTROLLED DOCUMENT.		DWN IVAN TIAN 04MAR2014	TE Connectivity	
		CHK WENKE HE 04MAR2014		
DIMENSIONS: mm		APVD -	NAME 0.5MM FINE STACKING BTB, 24 POS 4MM HEIGHT, EMBOSS, WITH CAP HERMAPHRODITIC TYPE CONNECTOR	
TOLERANCES UNLESS OTHERWISE SPECIFIED: 0 PLC ± 1 PLC ±0.30 2 PLC ±0.10 3 PLC ± 4 PLC ± ANGLES ±1°		PRODUCT SPEC 108-115057	SIZE 114-115008	
MATERIAL SEE NOTE 1		APPLICATION SPEC 114-115008	RESTRICTED TO -	
FINISH SEE P/N TABLE		WEIGHT 0.167 G	SCALE 11:1	
		CUSTOMER DRAWING	SHEET 4 OF 4 REV A	