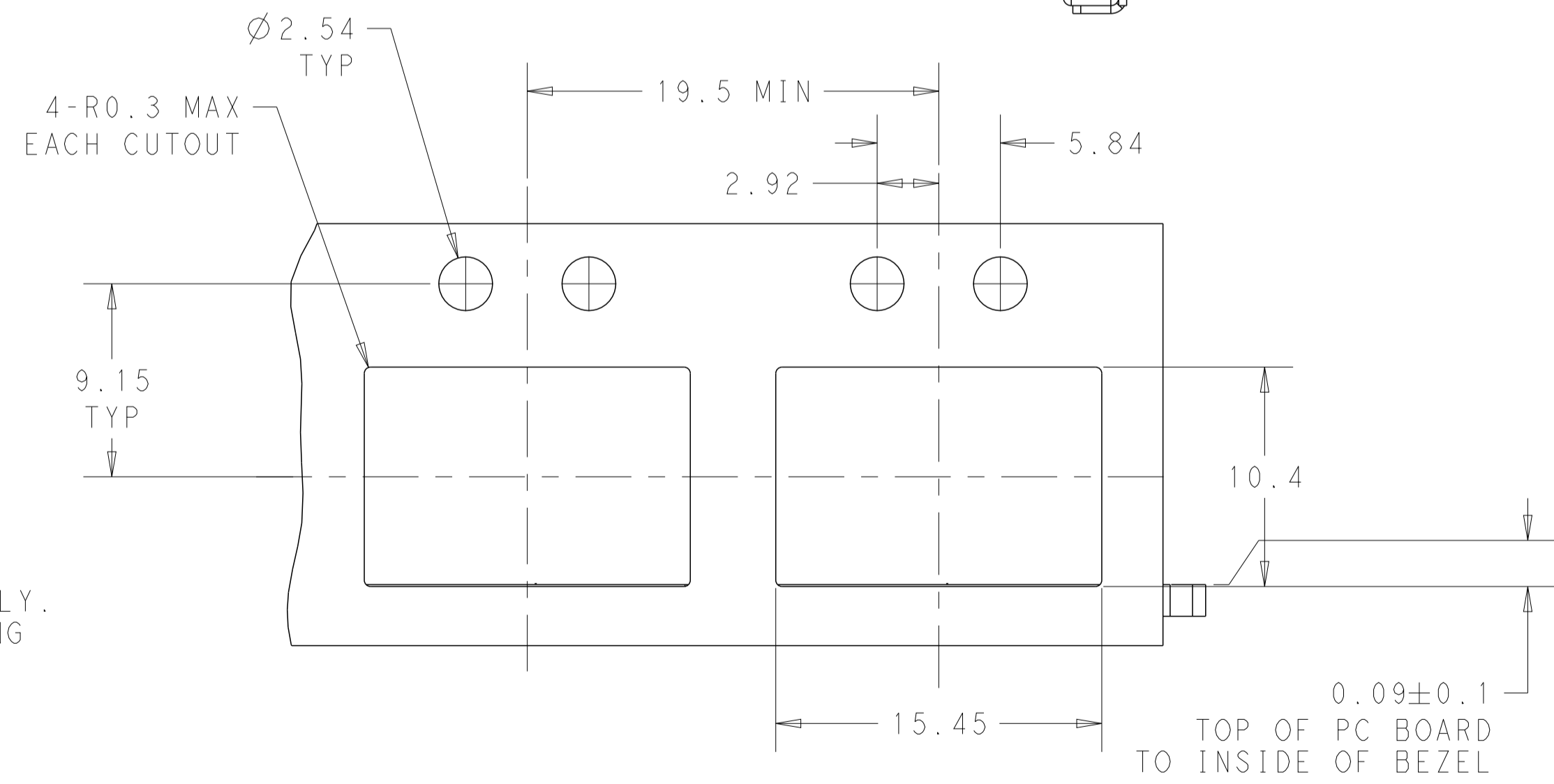
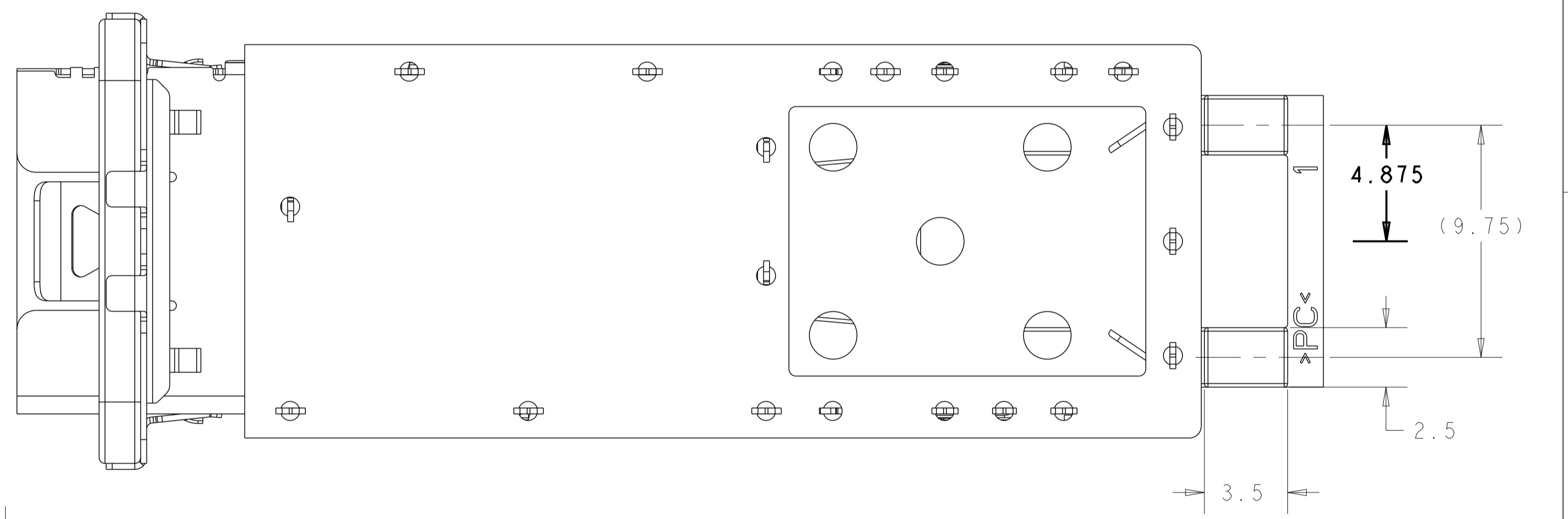
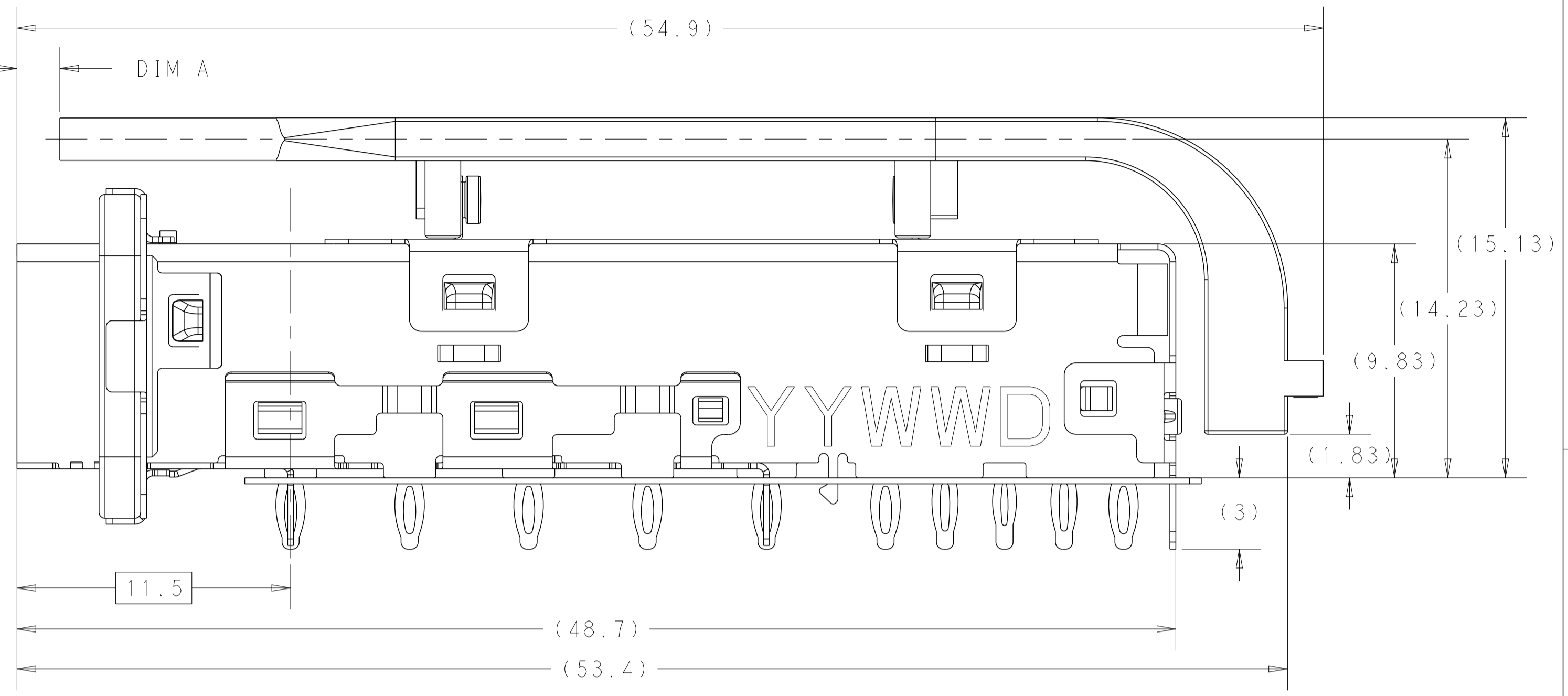
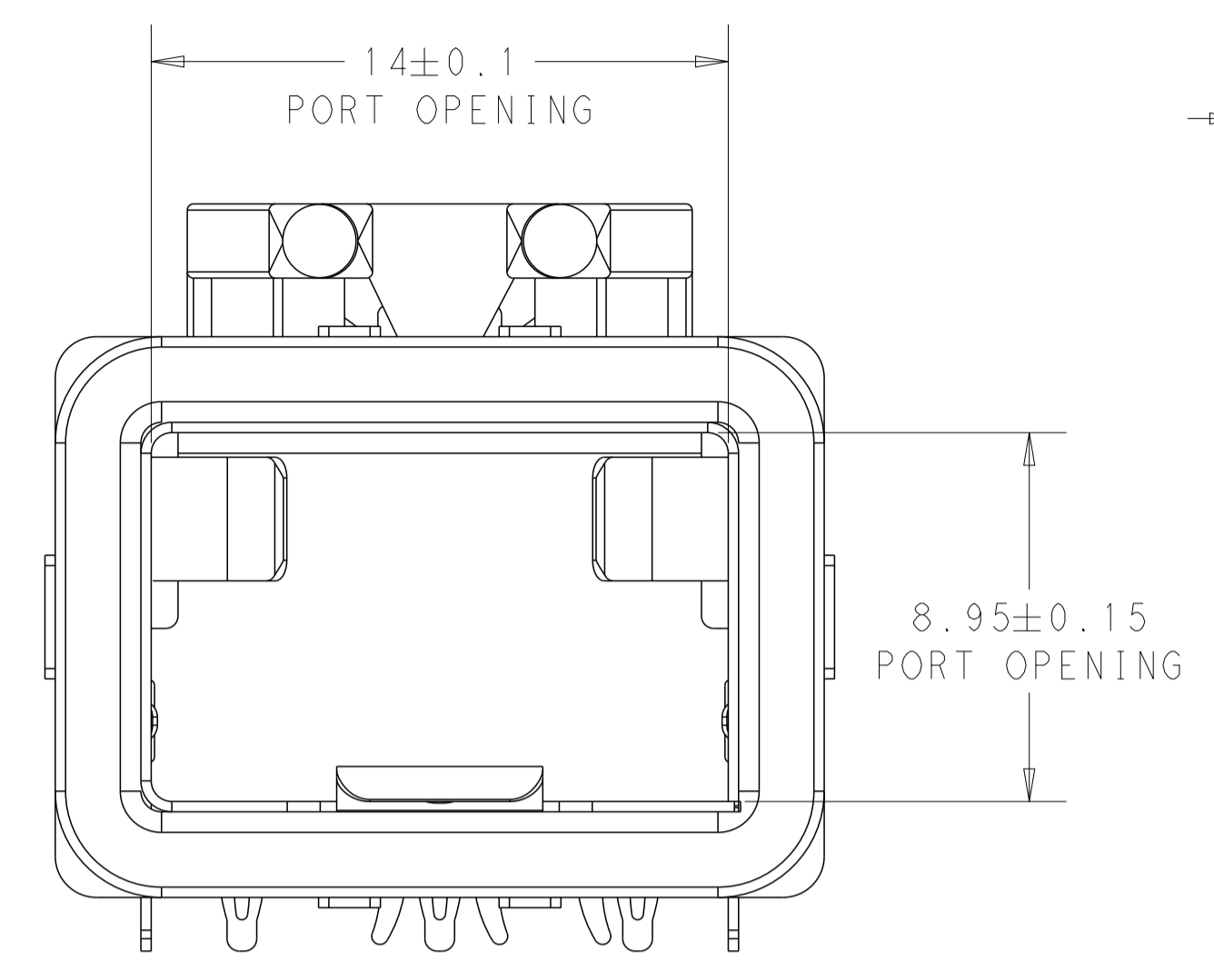
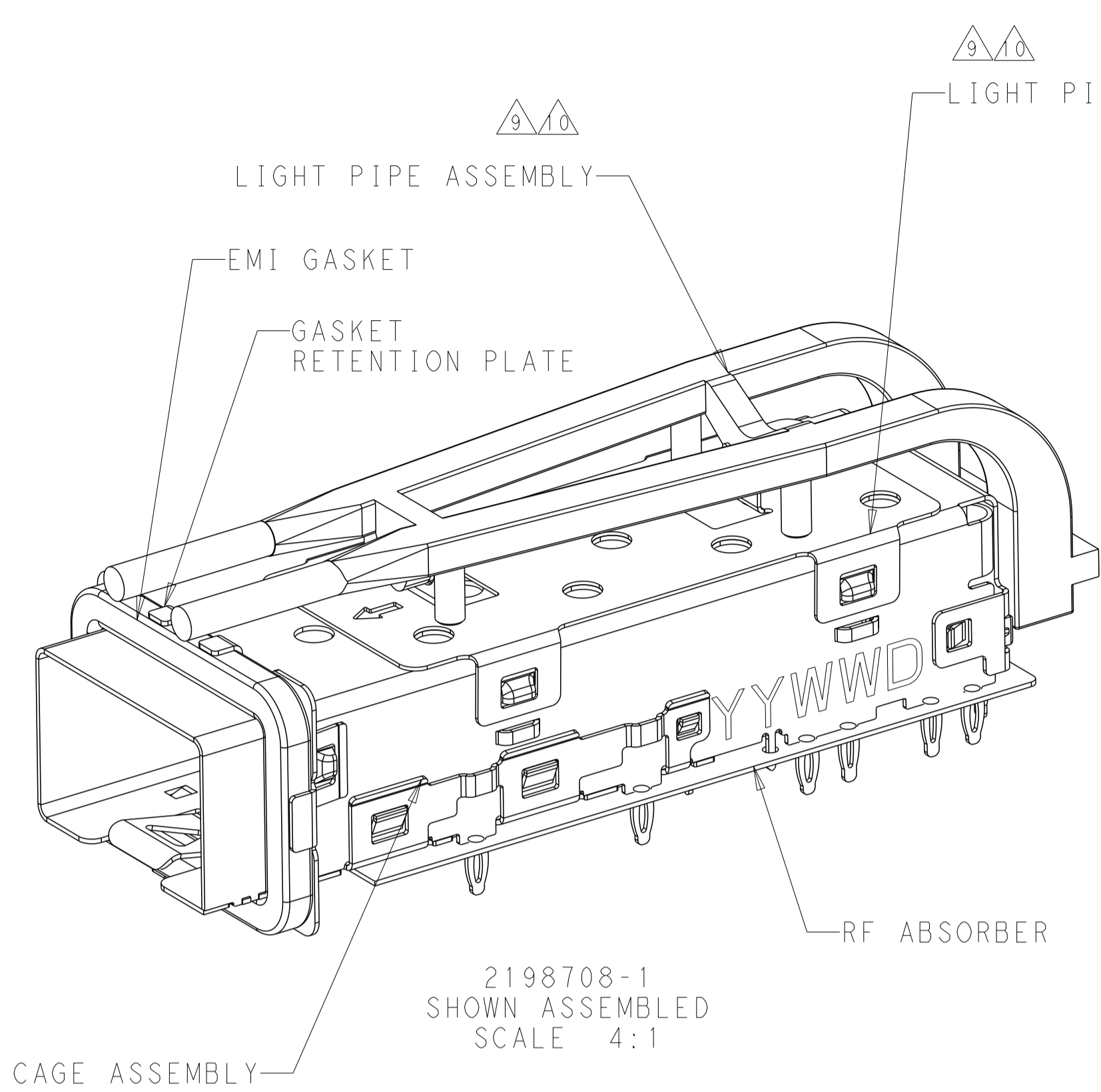
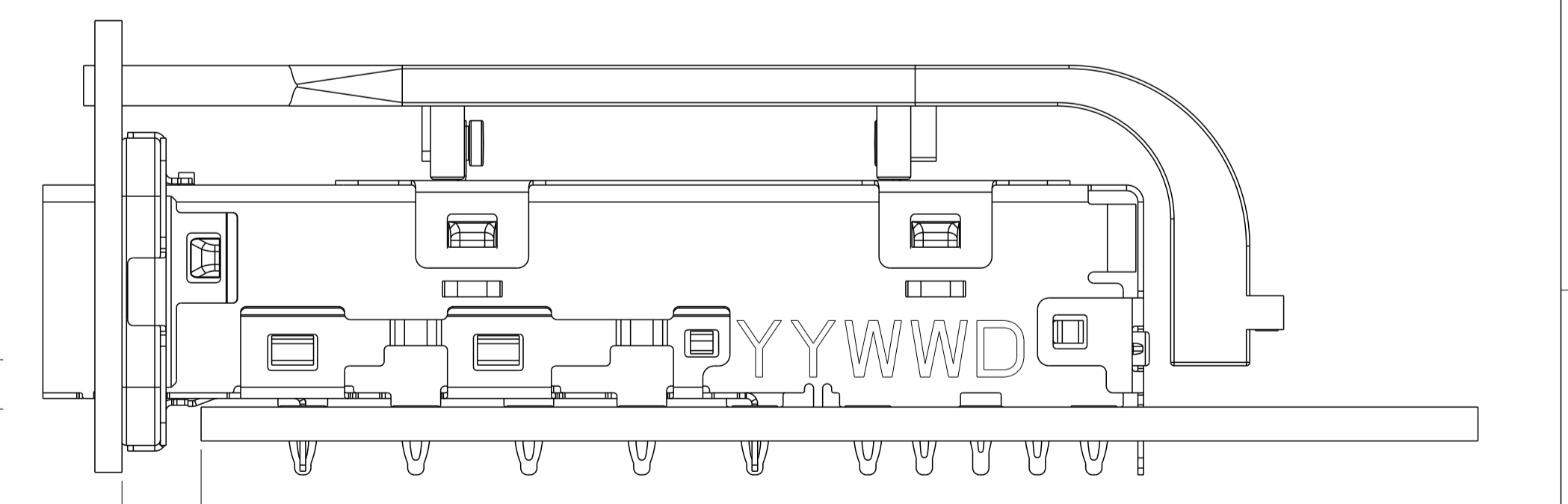


LOC	DIST	REVISIONS					
GP	00	P	LTN	DESCRIPTION	DATE	DWN	APVD
		1		INITIAL	19SEP2016	LL	SH
		2		REVISED PER ECN-22-166164	26JUL2022	IT	SZ



RECOMMENDED BEZEL CUTOUT
SCALE 4:1



RECOMMENDED BEZEL AND
PC BOARD ORIENTATION
SCALE 4:1

2.90	2198708-2
1.80	2198708-1
DIM A	PART NUMBER

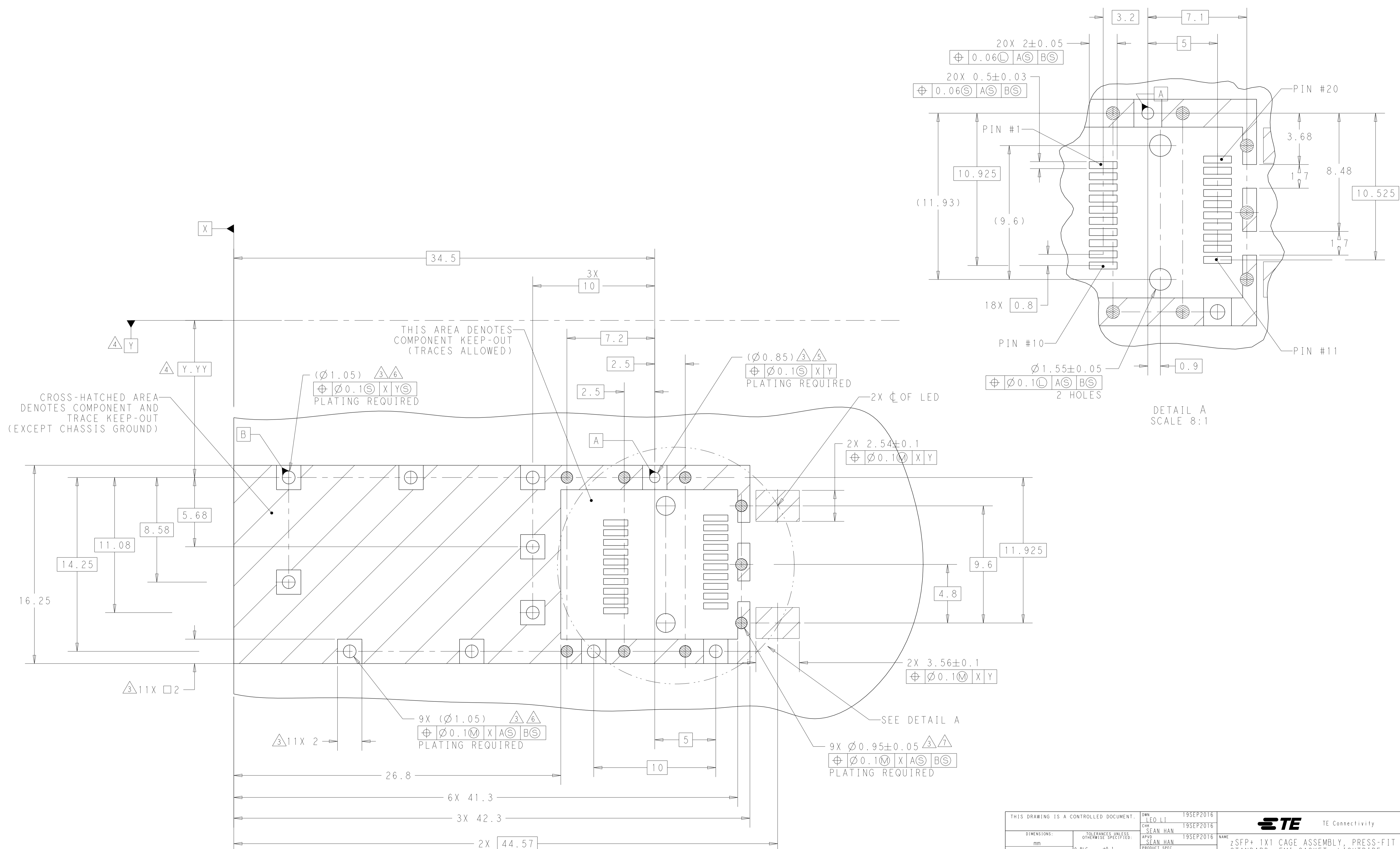
- 1 MATERIAL:
 CAGE ASSEMBLY - 0.25mm THICK NICKEL SILVER ALLOY.
 GASKET RETENTION PLATE - STAINLESS STEEL.
 EMI GASKET - PLATED FILLED SILICONE.
 PCB GASKET - RF ABSORBER.
 LIGHT PIPE - POLYCARBONATE, CLEAR.
 LIGHT PIPE BRACKET - STAINLESS STEEL.
- 2. MATES WITH SFP MSA COMPLIANT TRANSCEIVERS.
- 3 PADS AND VIAS CHASSIS GROUND.
- 4 DATUM AND BASIC DIMENSION ESTABLISHED BY CUSTOMER.
- 5 REFERENCE APPLICATION SPEC. 114-13120, HOLE A, FOR RECOMMENDED DRILL HOLE DIAMETER AND PLATING THICKNESS.
- 6 REFERENCE APPLICATION SPEC. 114-13120, HOLE B, FOR RECOMMENDED DRILL HOLE DIAMETER AND PLATING THICKNESS.
- 7 REFERENCE APPLICATION SPEC. 114-13120, HOLE C, FOR RECOMMENDED DRILL HOLE DIAMETER AND PLATING THICKNESS.
- 8. MINIMUM PC BOARD THICKNESS:
 SINGLE SIDED = 1.50mm
- 9 LIGHT PIPE ASSEMBLY SHIPPED UNASSEMBLED TO CAGE ASSEMBLY. CAGE ASSEMBLY TO BE PRESSED INTO PCB PRIOR TO ATTACHING THE LIGHT PIPE ASSEMBLY TO THE CAGE.
- 10 LIGHT PIPE AND LIGHT PIPE BRACKET SHIPPED ASSEMBLED.
- 11. CONTACT STANDOFF WILL PIERCE GASKET WHEN PROPERLY PRESSED INTO PCB.

THIS DRAWING IS A CONTROLLED DOCUMENT.

DIMENSIONS:	TOLERANCES UNLESS OTHERWISE SPECIFIED:	DWN	19SEP2016
mm	0 PLC ±0.1	CHK	LEO LI
	1 PLC ±0.1	APVD	SEAN HAN
	2 PLC ±0.1	NAME	SEAN HAN
	3 PLC ±0.05	PRODUCT SPEC	108-2364
	4 PLC ±0.05	APPLICATION SPEC	114-13120
	ANGLES ±0.05	WEIGHT	
MATERIAL	FINISH	CUSTOMER DRAWING	

SCALE 6:1 SHEET 1 OF 2 REV 2

LOC	DIST	REVISIONS			
P	LTH	DESCRIPTION	DATE	DMN	APVD
rev_sym_1	ISEE_8HEE111			rev_defect	dmn_appr_1
rev_sym_2	rev_desc_2			rev_defect	dmn_appr_2
rev_sym_3	rev_desc_3			rev_defect	dmn_appr_3
rev_sym_4	rev_desc_4			rev_defect	dmn_appr_4



THIS DRAWING IS A CONTROLLED DOCUMENT.		DMN: LEO LI 19SEP2016	TE Connectivity NAME: ZSFP+ 1X1 CAGE ASSEMBLY, PRESS-FIT STANDARD, EMI GASKET, LIGHTPIPE PRODUCT SPEC: 108-2364 APPLICATION SPEC: 114-13120 WEIGHT: - CUSTOMER DRAWING
DIMENSIONS:		CHK: SEAN HAN 19SEP2016	
TOLERANCES UNLESS OTHERWISE SPECIFIED: 0 PLC ±0.1 1 PLC ±0.1 2 PLC ±0.1 3 PLC ±0.05 4 PLC ±0.05 ANGLES ±0.05		APVD: SEAN HAN 19SEP2016	
MATERIAL: - FINISH: -		SIZE: - CAGE CODE: - DRAWING NO: A100779C=2198708 RESTRICTED TO: - SCALE: 2:1 SHEET 2 OF 2 REV 2	