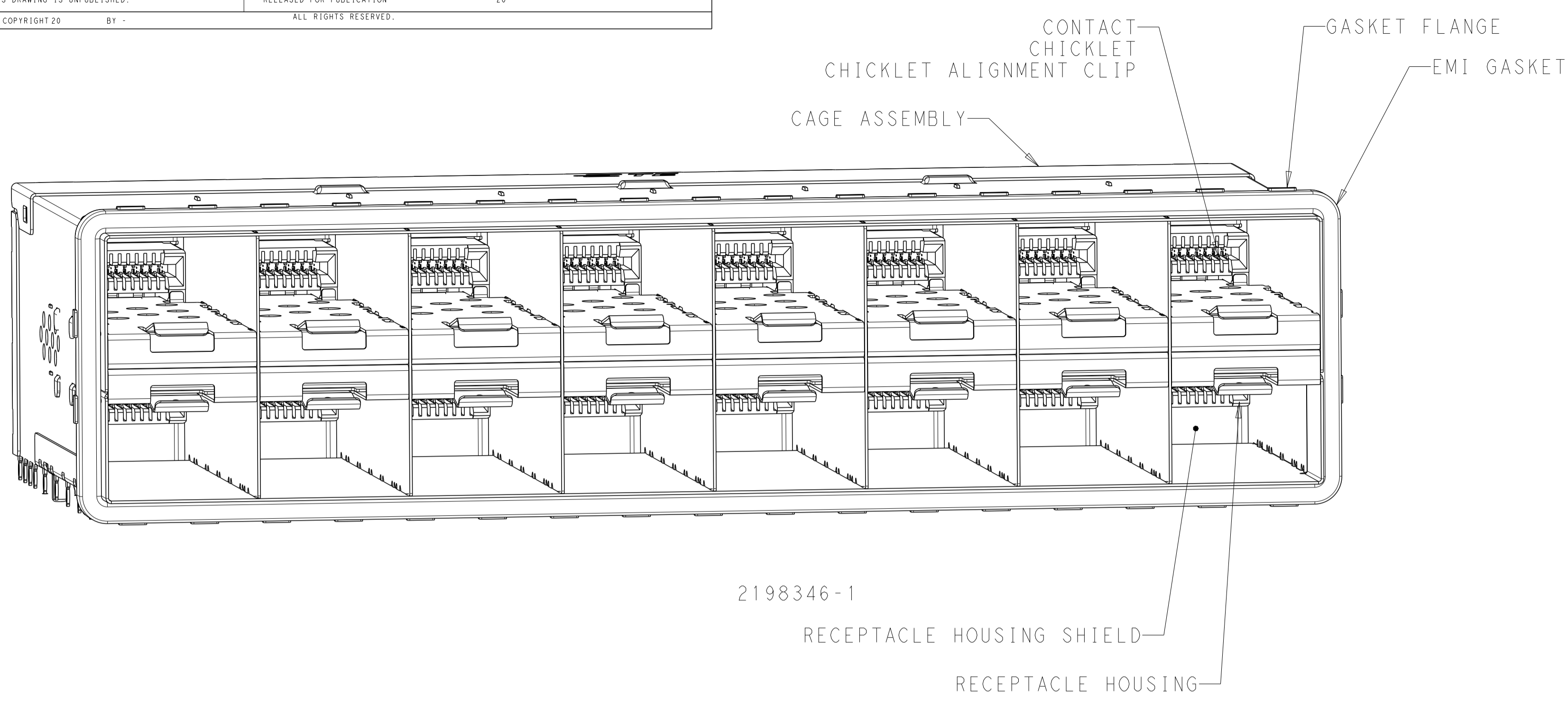


| LOC |    | DIST |     | REVISIONS                 |           |     |      |
|-----|----|------|-----|---------------------------|-----------|-----|------|
| GP  | 00 | P    | LTN | DESCRIPTION               | DATE      | OWN | APVD |
|     |    | C    |     | REVISED PER ECO-20-014521 | 13OCT2020 | JY  | SH   |
|     |    | C1   |     | REVISED PER ECN-22-166164 | 26JUL2022 | IT  | SZ   |



- MATERIALS:  
 CAGE ASSEMBLY - NICKEL-SILVER ALLOY PER ASTM B 122  
 CONNECTOR HOUSING - LCP, BLACK, UL 94V-0 RATED  
 CONNECTOR HOUSING SHIELD - COPPER ALLOY  
 CHICKLET - LCP, BLACK, UL 94V-0 RATED  
 CHICKLET ALIGNMENT CLIP - PBT  
 CONTACT - COPPER ALLOY  
 EMI GASKET - ELASTOMERIC  
 GASKET FLANGE - STAINLESS STEEL  
 EMI SPRINGS - PHOSPHOR BRONZE PER ASTM B 103,  
 0.8µm MIN TIN PER ASTM B 545  
 LIGHT PIPE - POLYCARBONATE  
 LIGHT PIPE HOUSING - ZINC ALLOY

- CONTACT FINISH:  
 0.76µm MIN GOLD PER ASTM B 844 AT MATING INTERFACE,  
 1.25µm MIN MATTE TIN PER ASTM B 545 AT PCB INTERFACE  
 ALLOVER 2.54µm MIN NICKEL PER QQ-N-290.

- PCB MINIMUM THICKNESS = 1.5mm

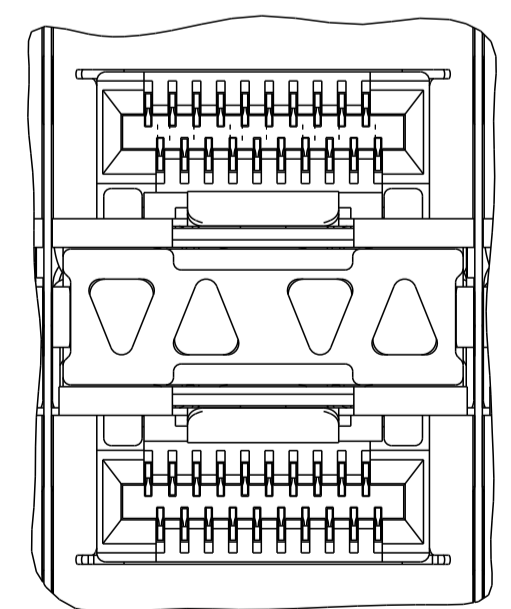
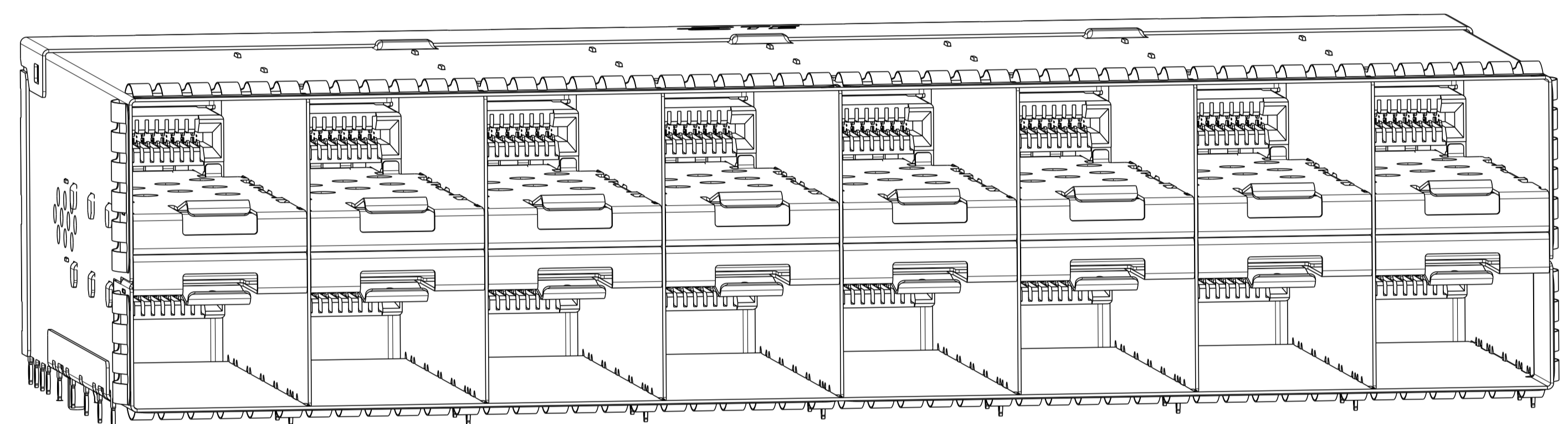
△ FOR HOLE SIZE AND PLATINGS,  
 SEE APPLICATION SPECIFICATION 114-13319

△ LIGHT PIPE PAD LAYOUT IS FOR 0805 LOW PROFILE  
 LED PACKAGE WITH A HEIGHT OF 0.8mm

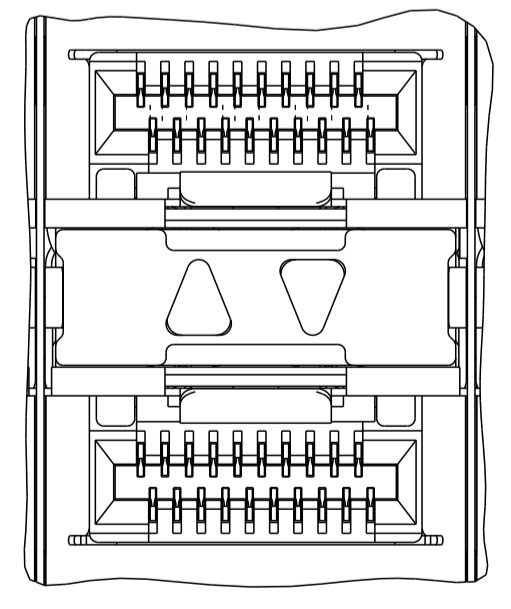
△ DIMENSIONS APPLY FOR EMI SPRINGS ONLY

△ THE ENTIRE AREA OF THE CONNECTOR FOOTPRINT,  
 INDICATED BY THE DASHED LINE, TO BE CONSIDERED  
 THE KEEPOUT AREA FOR COMPONENTS AND SIGNAL TRACES,  
 TOP SIDE ONLY, TOP SIDE TRACES ALLOWED WITHIN  
 CONNECTOR HOLE PATTERN

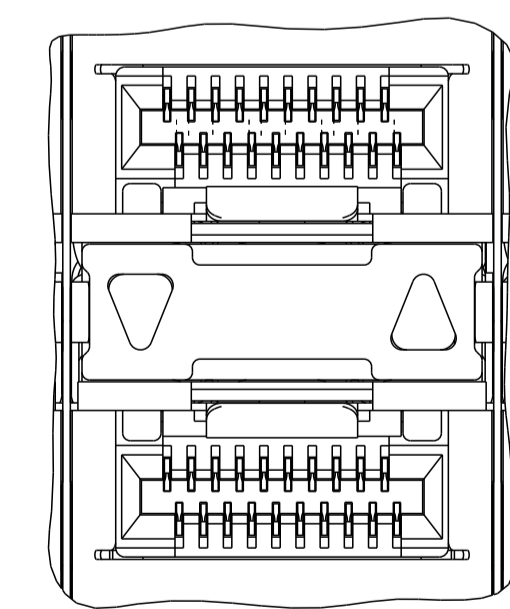
△ THE DIMENSIONS APPLY TO 4-2198346-0 ONLY.



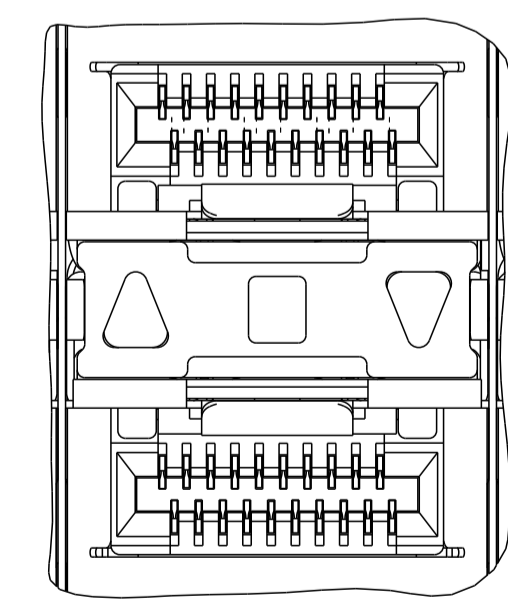
INNER/OUTER LIGHT PIPE  
 2198346-2, 2198346-6  
 SCALE 4:1



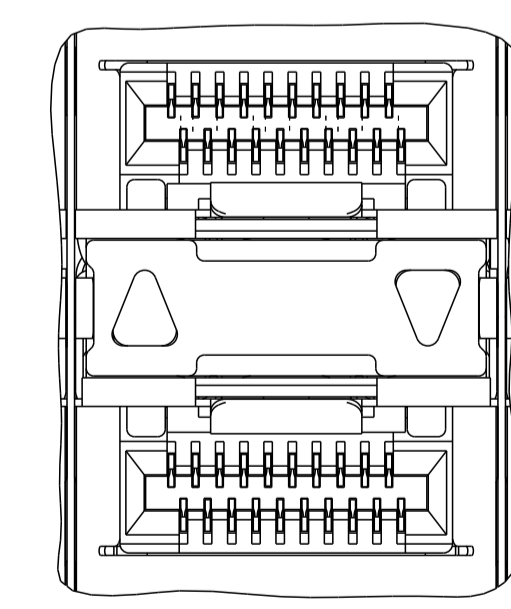
INNER LIGHT PIPE  
 2198346-3, 2198346-7  
 4-2198346-0  
 SCALE 4:1



OUTER LIGHT PIPES  
 2198346-4, 2198346-8  
 SCALE 4:1



CENTER/REVERSED OUTER LIGHT PIPES  
 1-2198346-7, 1-2198346-9  
 SCALE 4:1



REVERSED OUTER LIGHT PIPES  
 1-2198346-8, 2-2198346-0  
 SCALE 4:1

|        |  |                          |             |
|--------|--|--------------------------|-------------|
| 116.5  | THERMAL HOLE TOP SURFACE               | INNER                    | 4-2198346-0 |
| 116.5  | EMI SPRINGS, TAPE AIRFLOW ENHANCE TYPE | NONE                     | 3-2198346-3 |
| 119.25 | EMI GASKET LOW PROFILE FLANGE          | INNER                    | 3-2198346-2 |
| 116.5  | EMI SPRINGS AIRFLOW ENHANCE TYPE       | NONE                     | 3-2198346-1 |
| 119.25 | EMI GASKET AIRFLOW ENHANCE TYPE        | NONE                     | 3-2198346-0 |
| 116.5  | EMI SPRINGS                            | REVERSED OUTER           | 2-2198346-0 |
|        |  | CENTER/REVERSED OUTER    | 1-2198346-9 |
| 119.25 | EMI GASKET                             | REVERSED OUTER           | 1-2198346-8 |
|        |  | CENTER/REVERSED OUTER    | 1-2198346-7 |
| 116.5  | EMI SPRING WITH NICKEL PLATING ONLY    | OUTER                    | 1-2198346-2 |
|        |  | INNER                    | 1-2198346-1 |
|        |  | INNER/OUTER              | 1-2198346-0 |
| 116.5  | EMI SPRINGS                            | NONE                     | 2198346-9   |
|        |  | OUTER                    | 2198346-8   |
|        |  | INNER                    | 2198346-7   |
| 119.25 | EMI GASKET                             | INNER/OUTER              | 2198346-6   |
|        |  | NONE                     | 2198346-5   |
|        |  | OUTER                    | 2198346-4   |
| (E)    | CAGE TYPE                              | INNER                    | 2198346-3   |
|        |  | INNER/OUTER              | 2198346-2   |
|        |  | NONE                     | 2198346-1   |
|        |  | LIGHT PIPE CONFIGURATION | PART NUMBER |

THIS DRAWING IS A CONTROLLED DOCUMENT.

OWN: M. E. CONNER 09DEC2011  
 CHG: M. D. MORRISON 13DEC2011  
 APVD: M. D. MORRISON 13DEC2011

NAME: RECEPTACLE ASSEMBLY, 2X8, STACKED, zSFP+

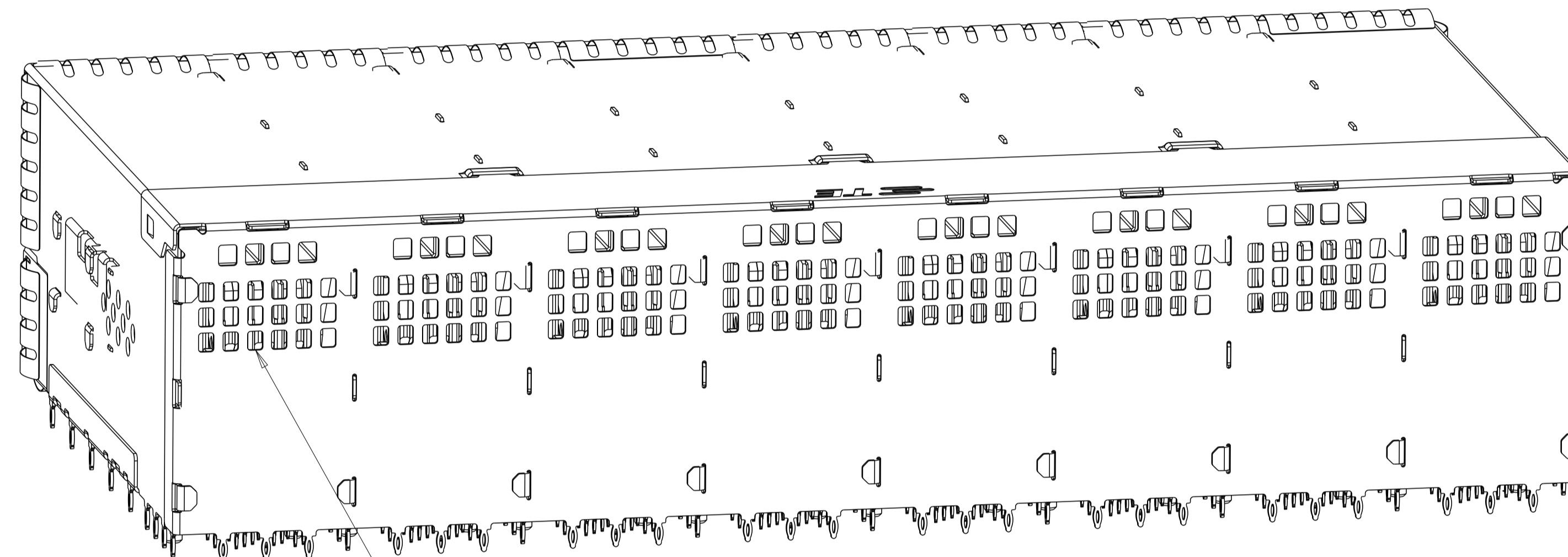
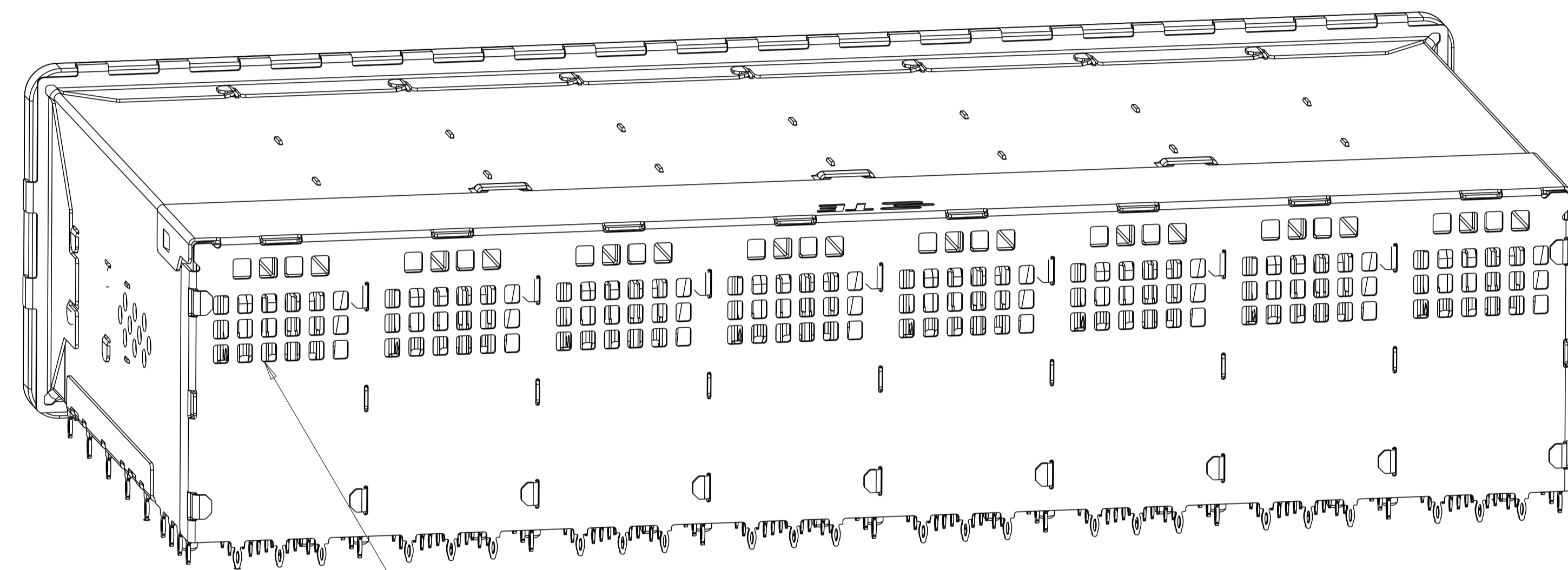
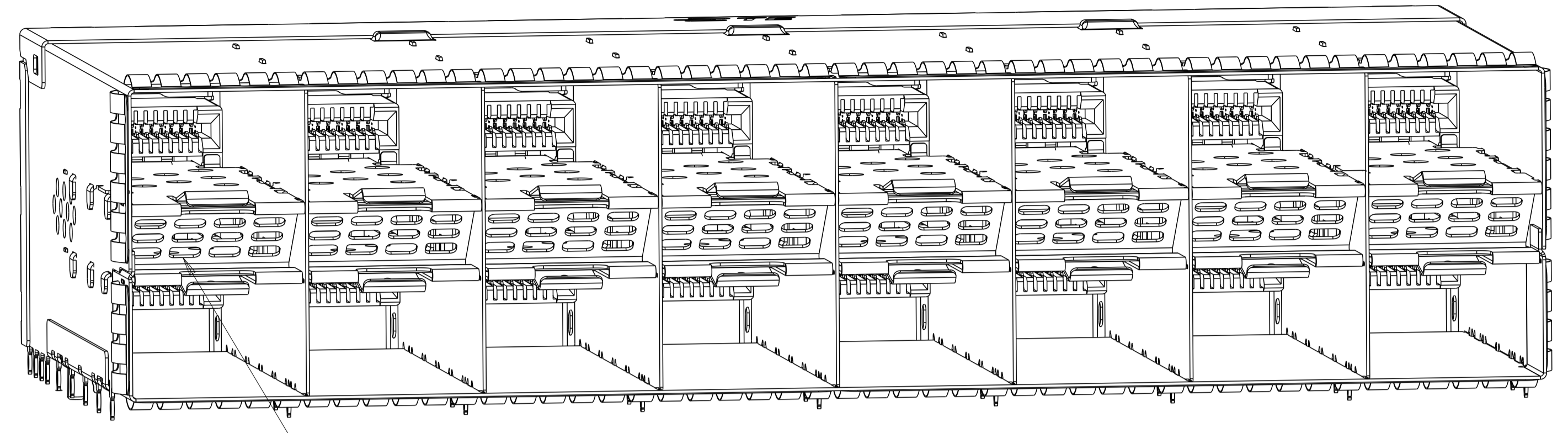
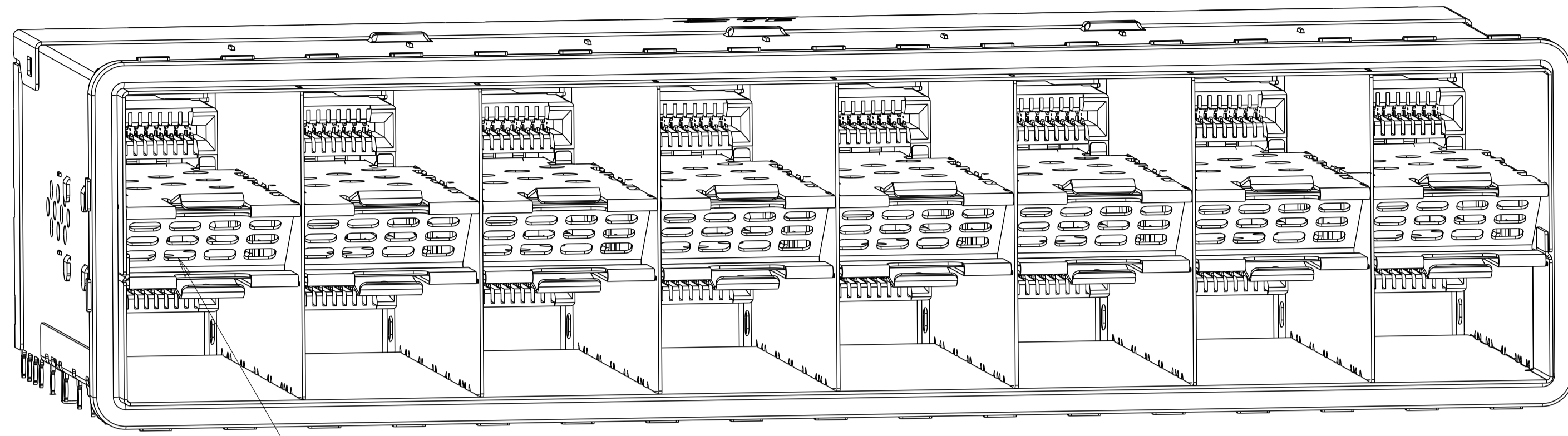
SIZE: A1 00779C=2198346

SCALE: 3:1 SHEET 1 OF 7 REV: C1

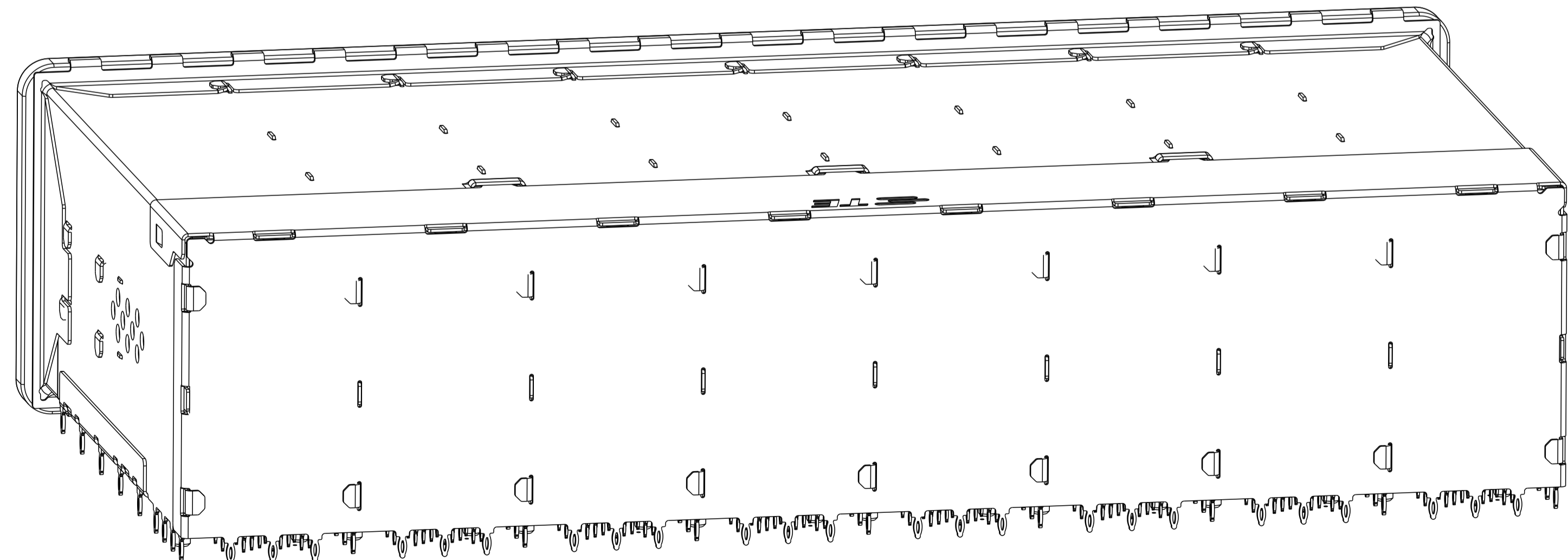
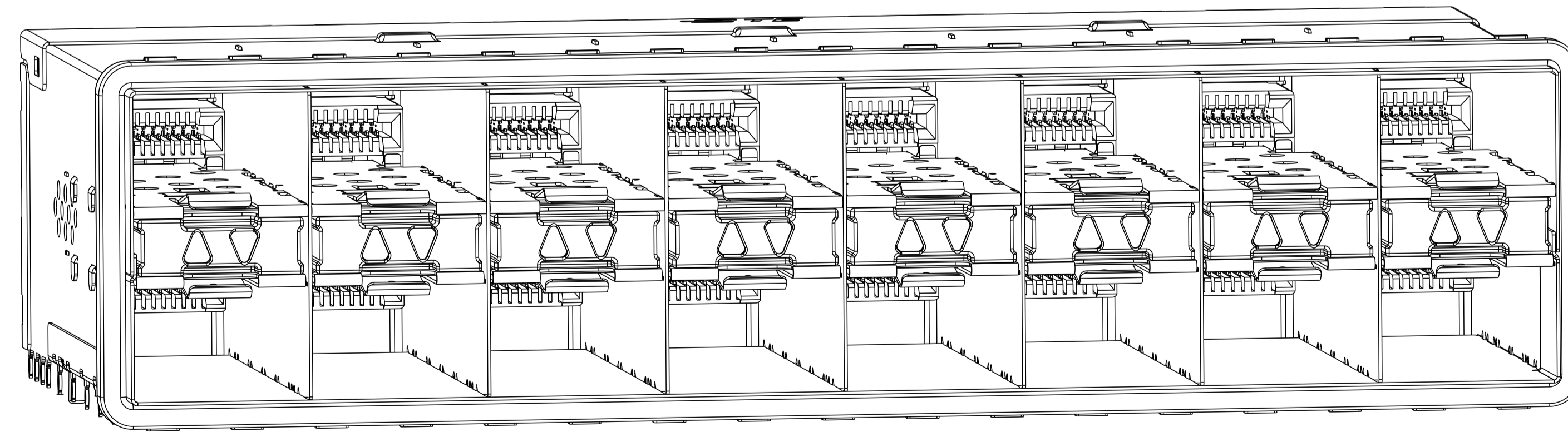
Customer Drawing

| LOC       |            | DIST        |            | REVISIONS |      |   |  |
|-----------|------------|-------------|------------|-----------|------|---|--|
| P         | LTN        | DESCRIPTION | DATE       | OWN       | APVD |   |  |
| rev_sym_1 | 1866       | 8H6E111     | rev_defect | y_dmn     | lapp | 1 |  |
| rev_sym_2 | rev_desc_2 |             | rev_defect | y_dmn     | lapp | 2 |  |
| rev_sym_3 | rev_desc_3 |             | rev_defect | y_dmn     | lapp | 3 |  |
| rev_sym_4 | rev_desc_4 |             | rev_defect | y_dmn     | lapp | 4 |  |

AIRFLOW ENHANCE TYPE



EMI GASKET TYPE WITH LOW PROFILE FLANGE

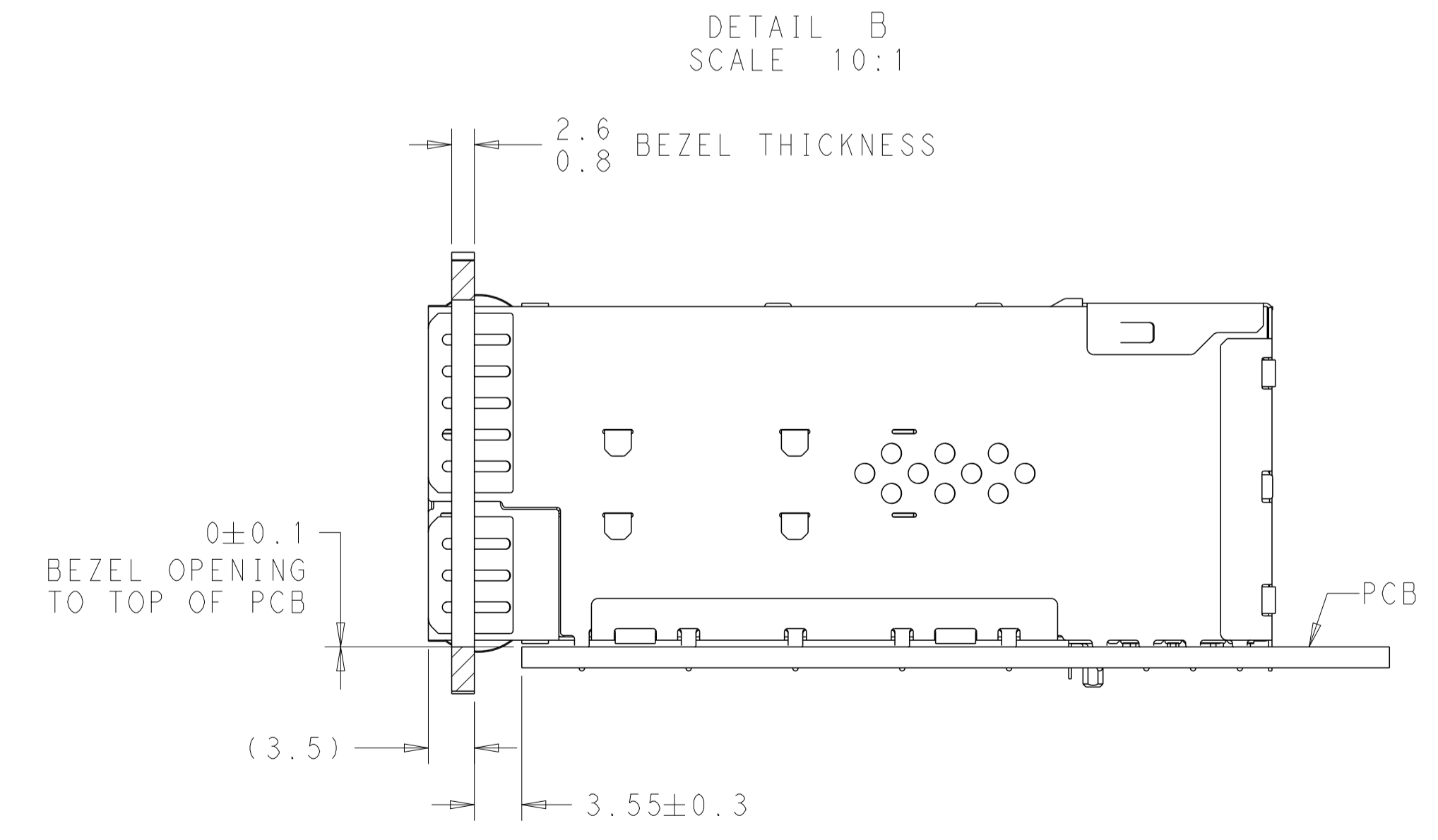
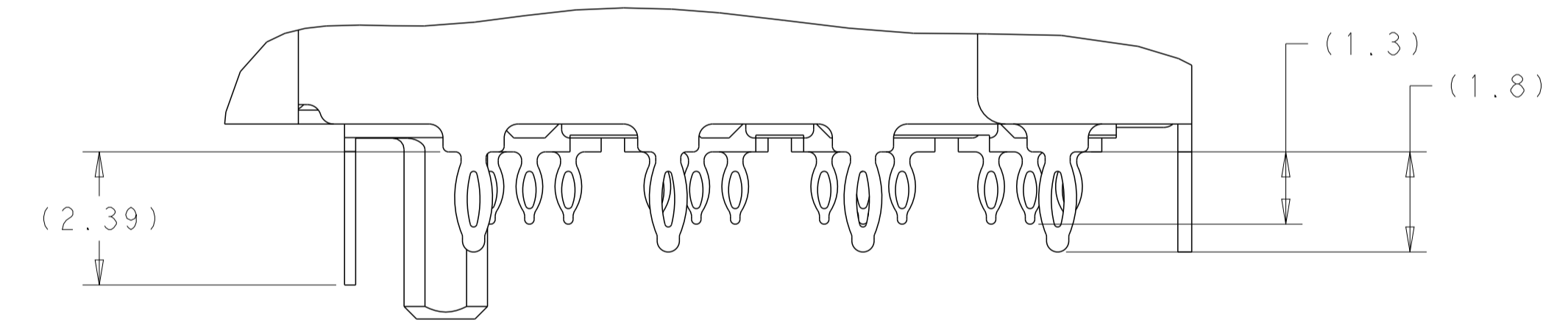
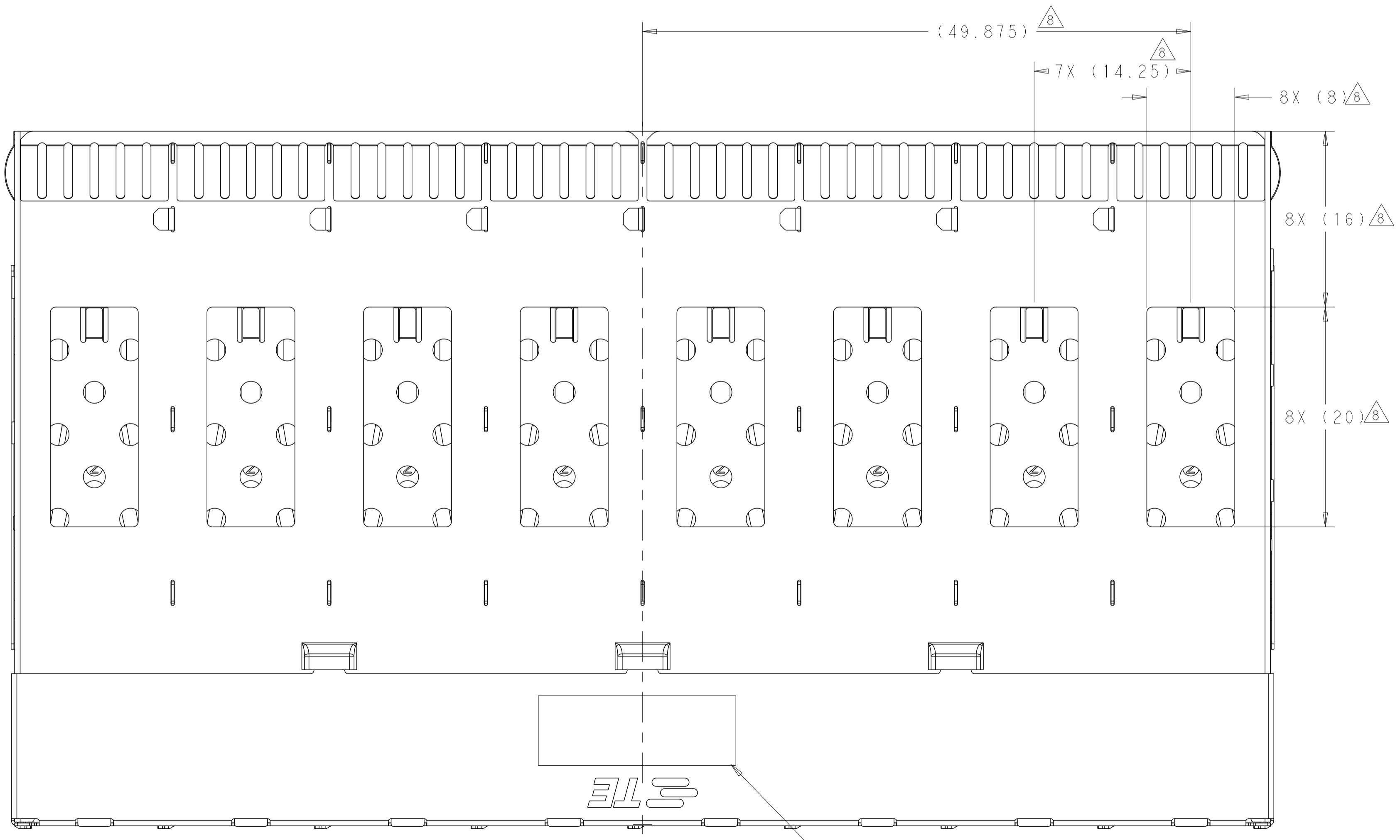
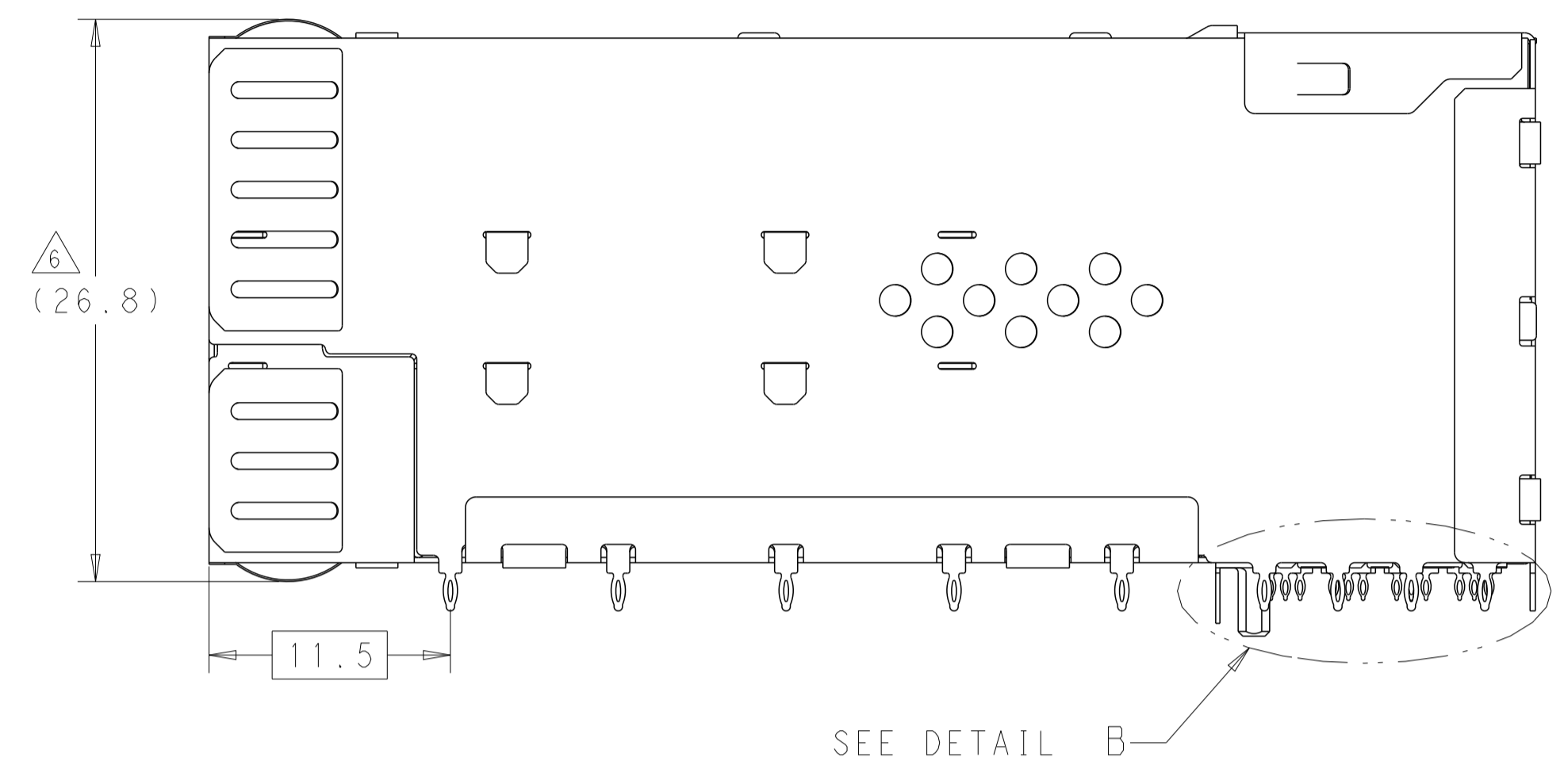
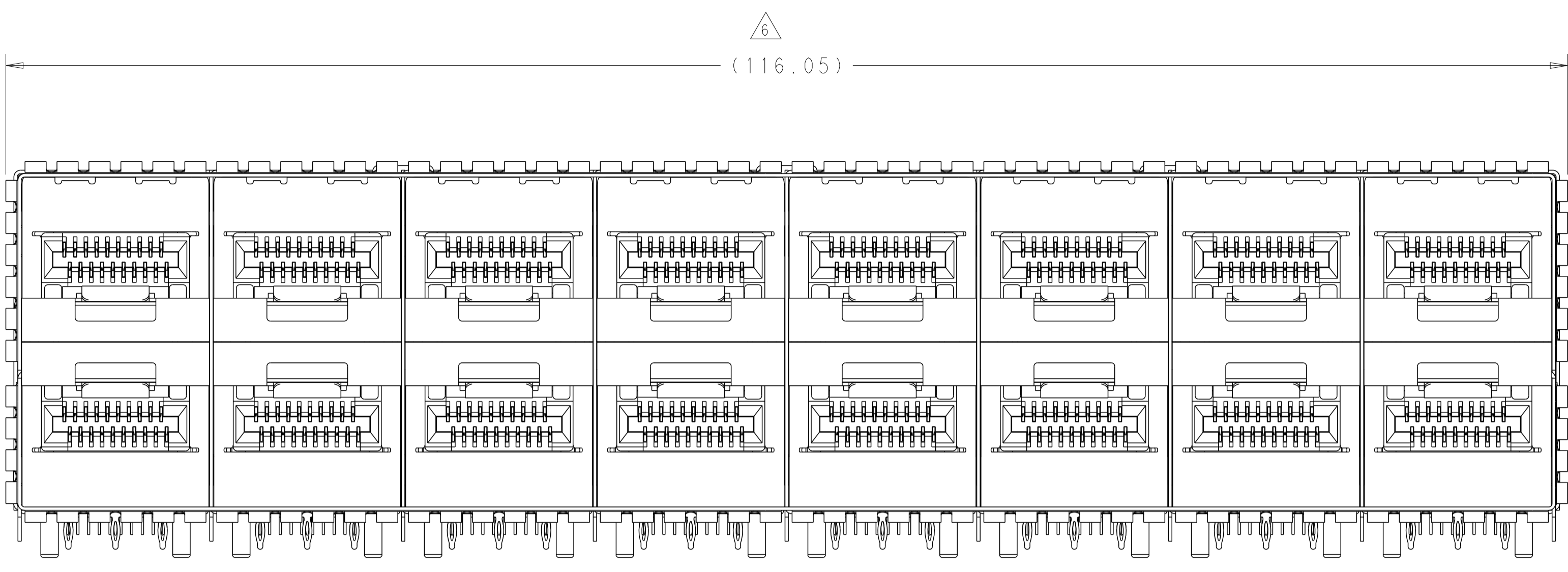


3-2198346-2

|   |  |                              |   |
|---|--|------------------------------|---|
| THIS DRAWING IS A CONTROLLED DOCUMENT.  |  | OWN M.E. CONNER 09DEC2011    | TE Connectivity                               |
| DIMENSIONS: mm  |  | CHK M.D. MORRISON 13DEC2011  |   |
| TOLERANCES UNLESS OTHERWISE SPECIFIED:<br>0 PLC ±<br>1 PLC ±0.20<br>2 PLC ±0.15<br>3 PLC ±0.10<br>4 PLC ±<br>ANGLES ° ±<br>FINISH |  | APVD M.D. MORRISON 13DEC2011 | NAME RECEPTACLE ASSEMBLY, 2X8, STACKED, 2SFP+ |
| MATERIAL SEE NOTES  |  | PRODUCT SPEC 108-2481        | SIZE CAGE CODE DRAWING NO RESTRICTED TO       |
| SEE NOTES   |  | APPLICATION SPEC 114-13319   | A100779C=2198346                              |
|   |  | WEIGHT                       | SCALE 3:1 SHEET 2 OF 7 REV C1                 |
|   |  | Customer Drawing             |   |

2198346-5 THRU 1-2198346-2, 1-2198346-9, 2-2198346-0, 4-2198346-0  
 EMI SPRINGS ONLY

| LOC | DIST | REV | DATE | BY | APPV |
|-----|------|-----|------|----|------|
|     |      | 1   |      |    |      |
|     |      | 2   |      |    |      |
|     |      | 3   |      |    |      |
|     |      | 4   |      |    |      |

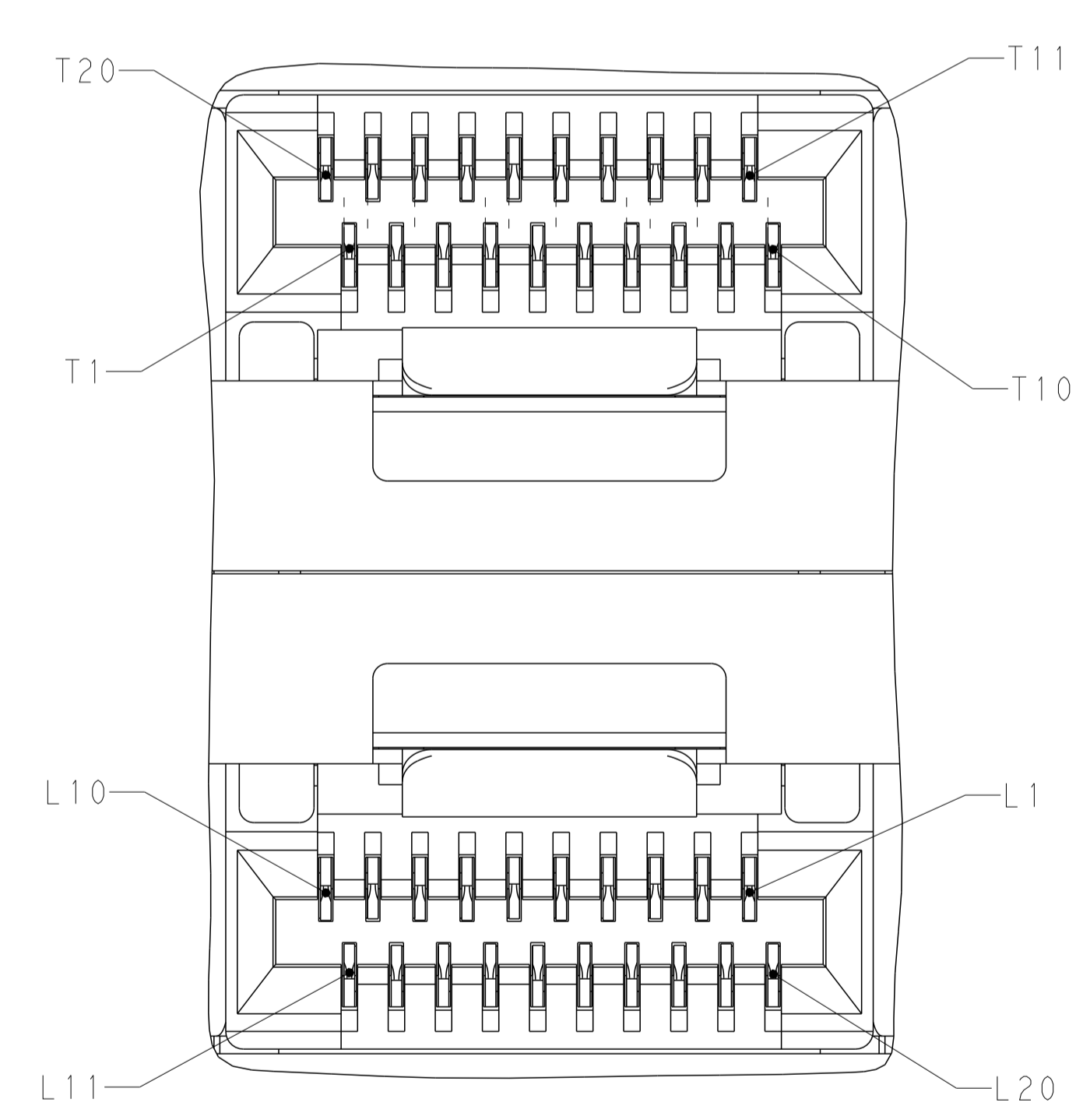
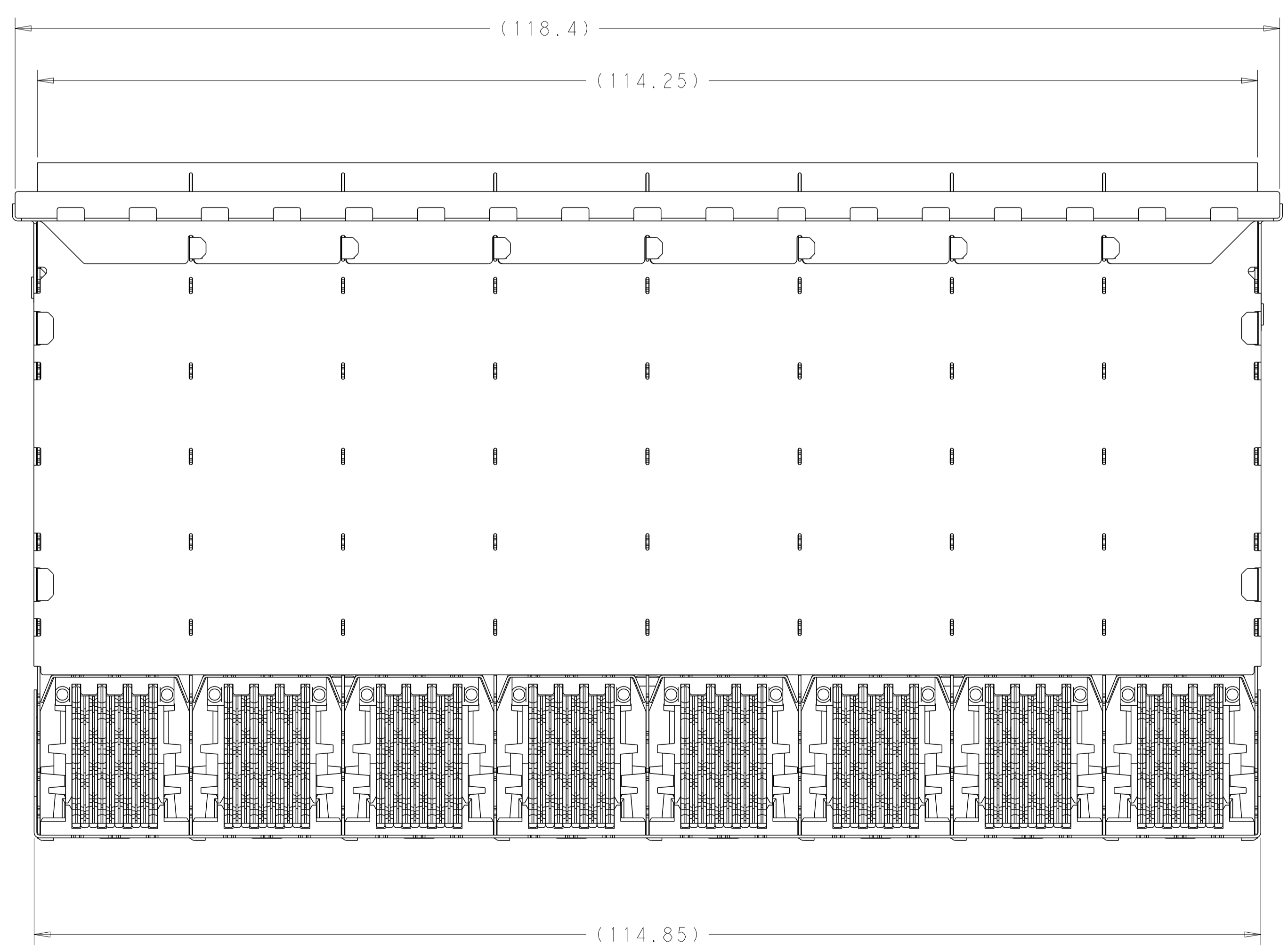
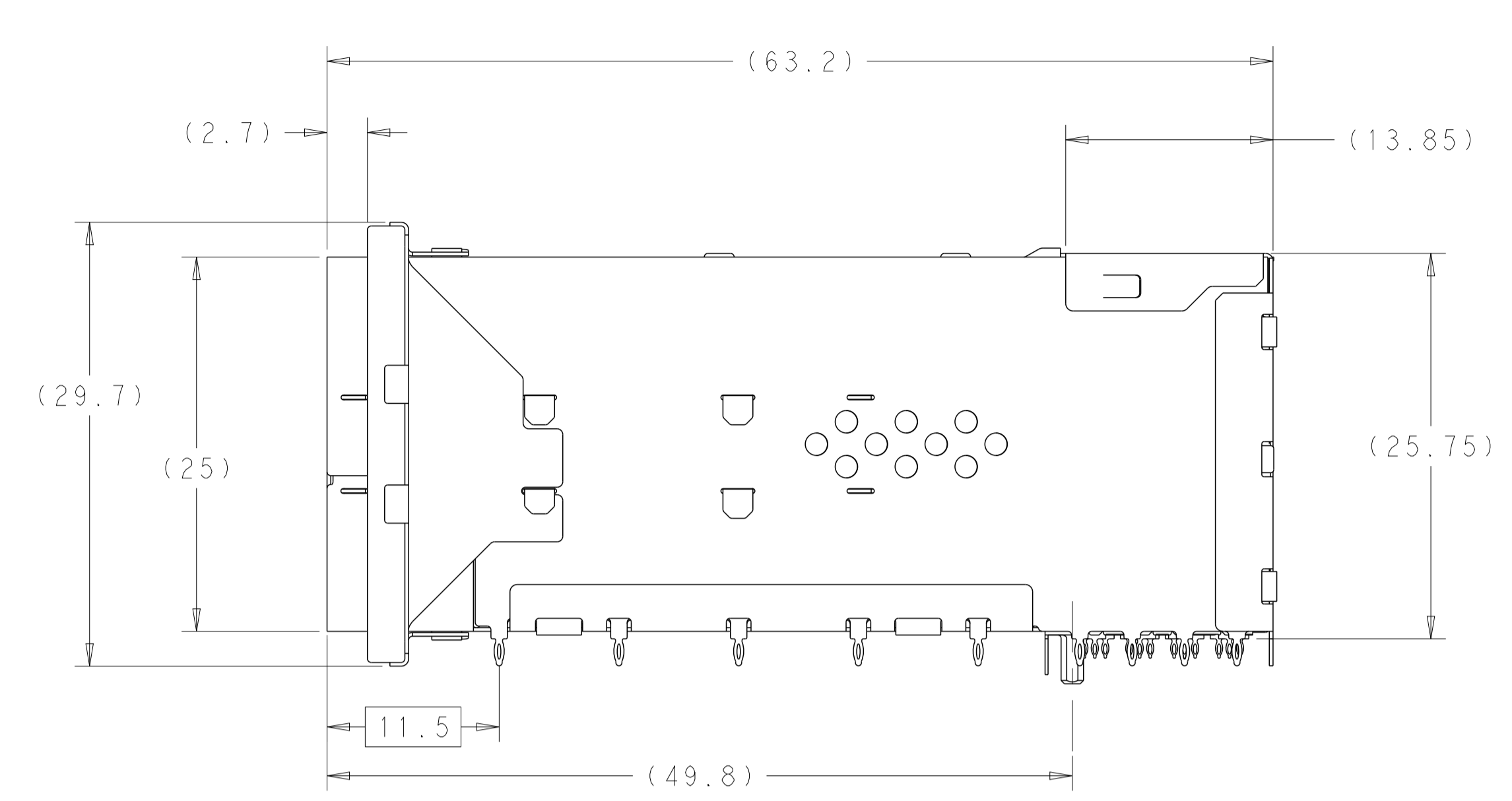
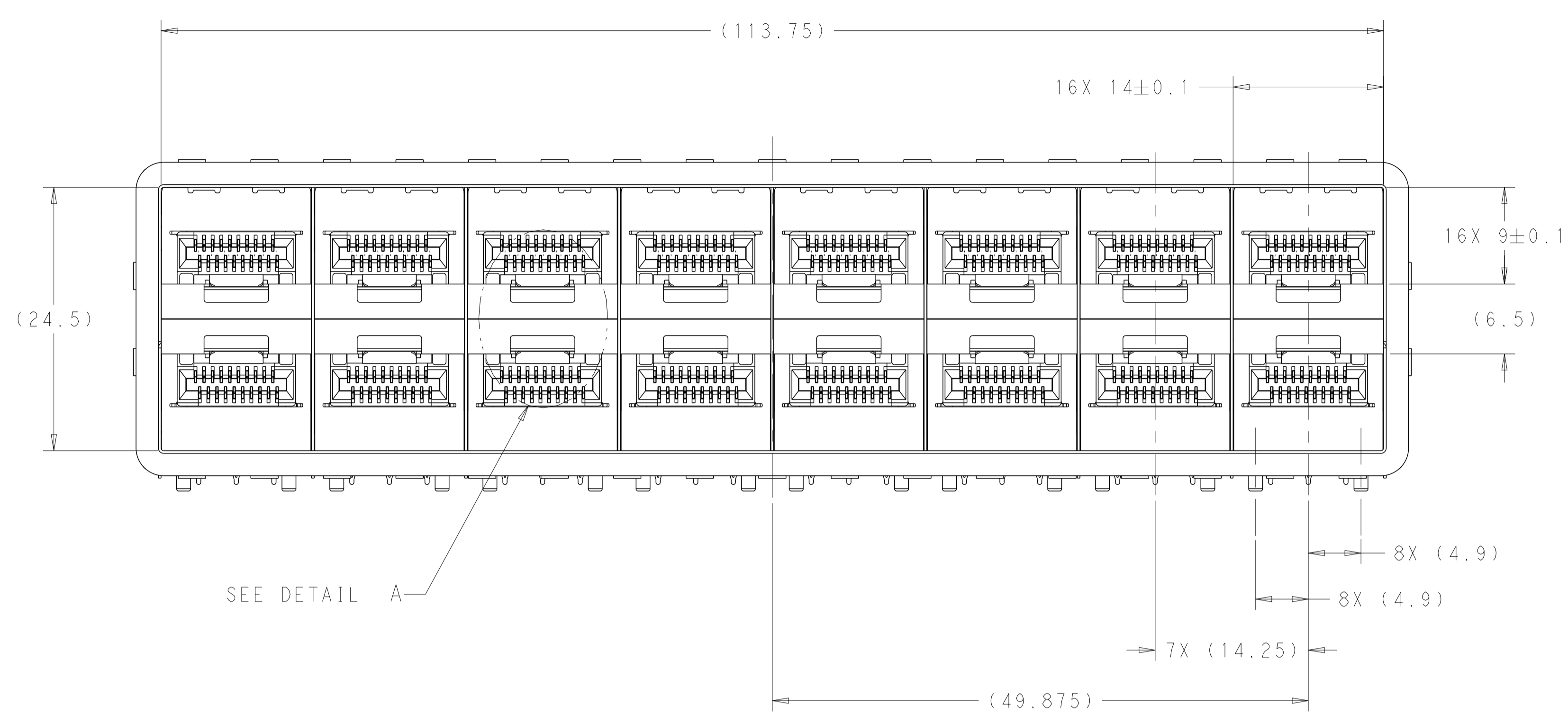


LASER MARK DATE CODE AND PART NUMBER  
 IN APPROXIMATE LOCATION SHOWN

RECOMMENDED BEZEL LOCATION WITH EMI SPRINGS  
 SCALE 5:2

|  |  |                               |  |
|--|--|-------------------------------|--|
| THIS DRAWING IS A CONTROLLED DOCUMENT. |  | OWN: M. E. CONNER 09DEC2011   | TE Connectivity                                |
| DIMENSIONS: mm                         |  | CHK: M. D. MORRISON 13DEC2011 |  |
| TOLERANCES UNLESS OTHERWISE SPECIFIED: |  | APV: M. D. MORRISON 13DEC2011 | NAME: RECEPTACLE ASSEMBLY, 2X8, STACKED, zSFP+ |
| 0 PLC ±0.20                            |  | PRODUCT SPEC: 108-2481        |  |
| 1 PLC ±0.15                            |  | APPLICATION SPEC: 114-13319   | SIZE: CAGE CODE DRAWING NO: A100779C=2198346   |
| 2 PLC ±0.10                            |  | WEIGHT: -                     |  |
| 3 PLC ±0.10                            |  | Customer Drawing              | RESTRICTED TO: -                               |
| 4 PLC ±0.10                            |  |                               | SCALE: 3:1                                     |
| ANGLES: °                              |  |                               | SHEET: 3 OF 7                                  |
| FINISH: -                              |  |                               | REV: C1  |

| LOC       | DIST       | REVISIONS   |           |       |        |
|-----------|------------|-------------|-----------|-------|--------|
| P         | LTR        | DESCRIPTION | DATE      | DWN   | APVD   |
| rev_sym_1 | 18E6       | 8H6E111     | rev_date1 | dwn_1 | appr_1 |
| rev_sym_2 | rev_desc_2 |             | rev_date2 | dwn_2 | appr_2 |
| rev_sym_3 | rev_desc_3 |             | rev_date3 | dwn_3 | appr_3 |
| rev_sym_4 | rev_desc_4 |             | rev_date4 | dwn_4 | appr_4 |



THIS DRAWING IS A CONTROLLED DOCUMENT. DWN M.E. CONNER 09DEC2011  
 CHK M.D. MORRISON 13DEC2011  
 APVD M.D. MORRISON 13DEC2011

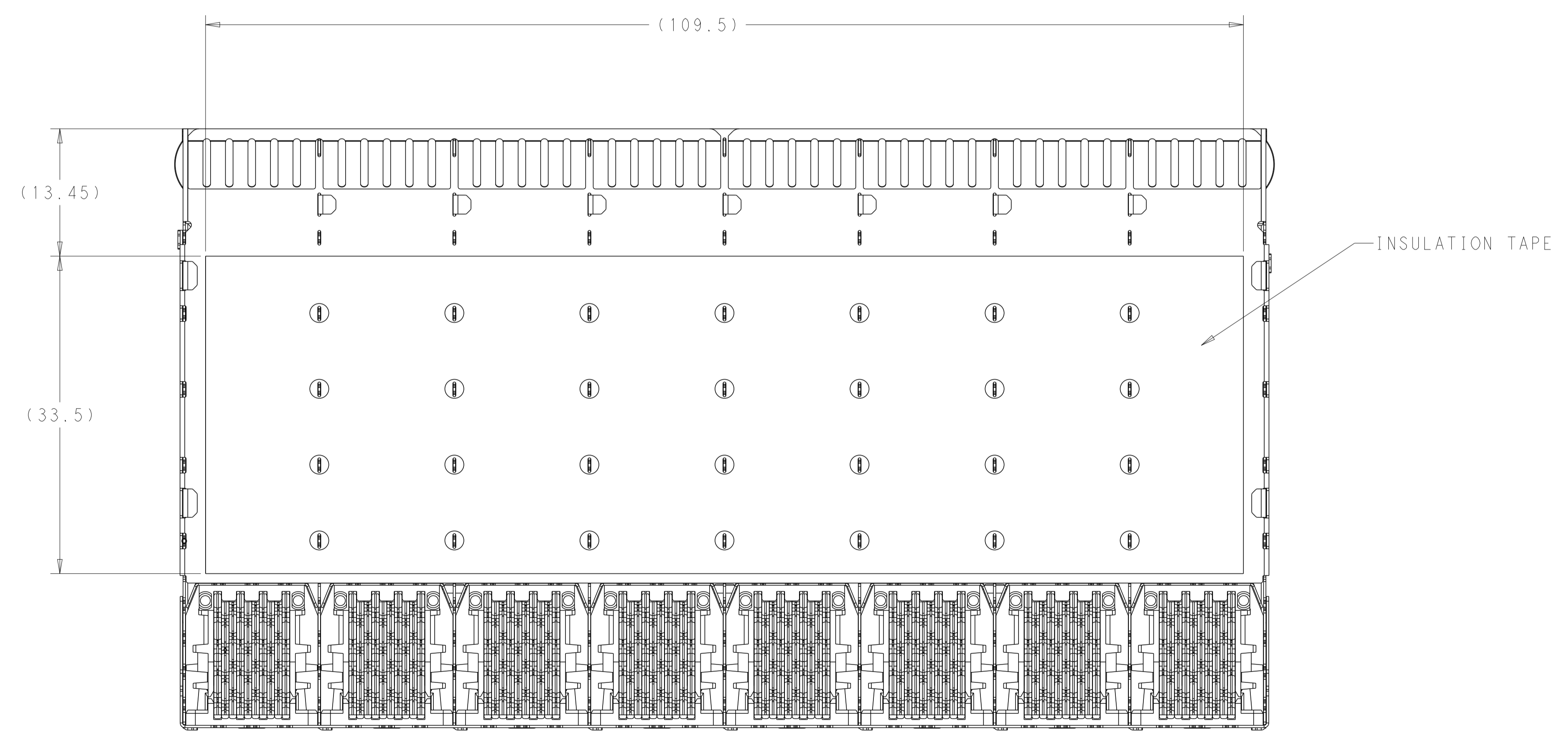
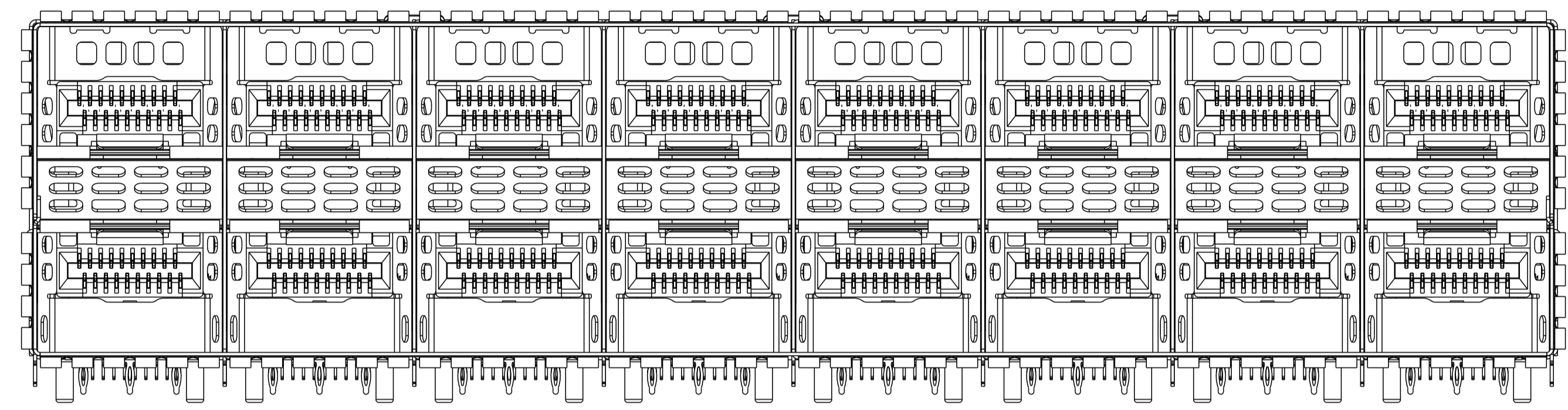
TE Connectivity

RECEPTACLE ASSEMBLY, 2X8, STACKED, zSFP+

SCALE 3:1 SHEET 4 OF 7 REV C1

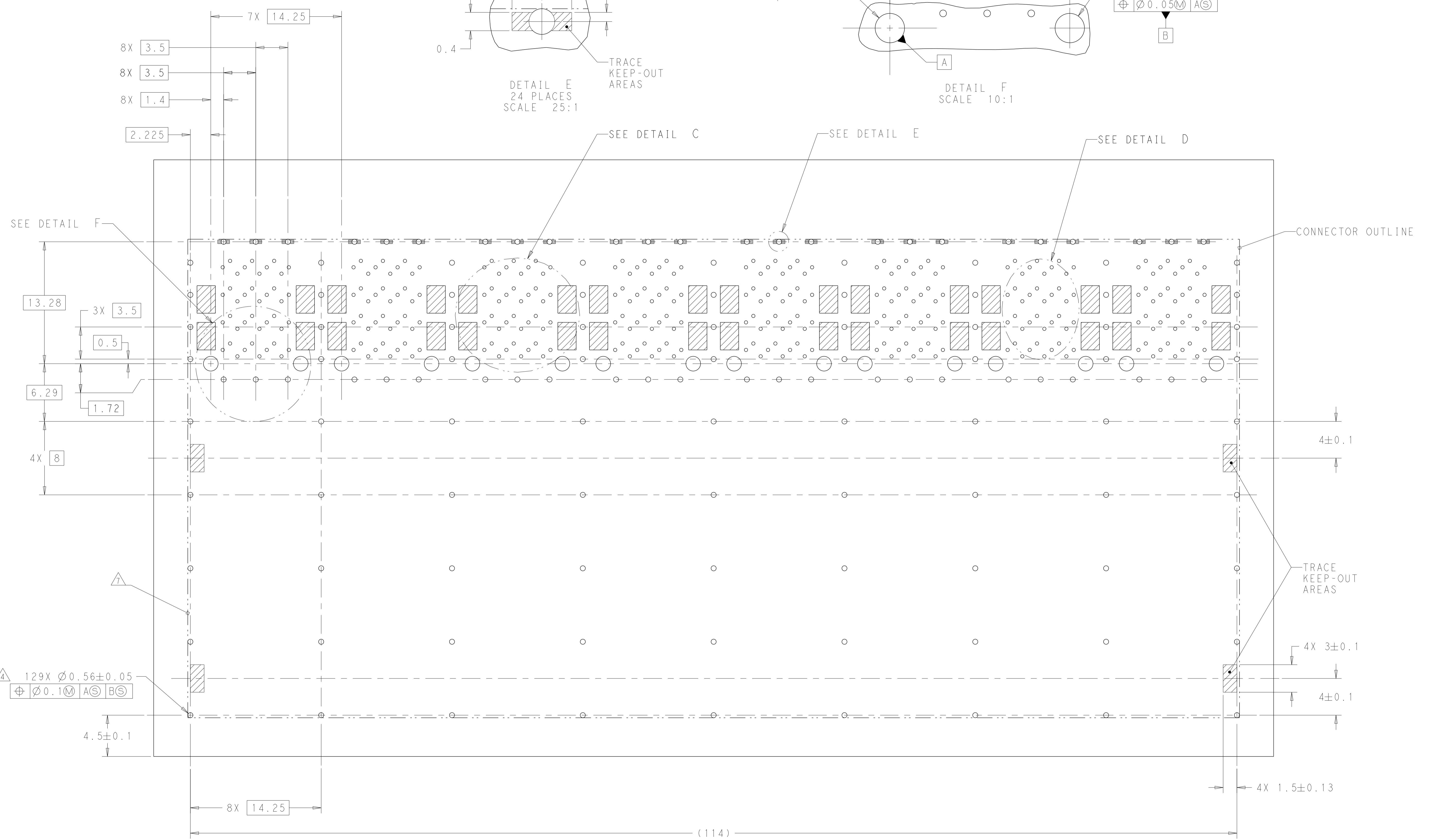
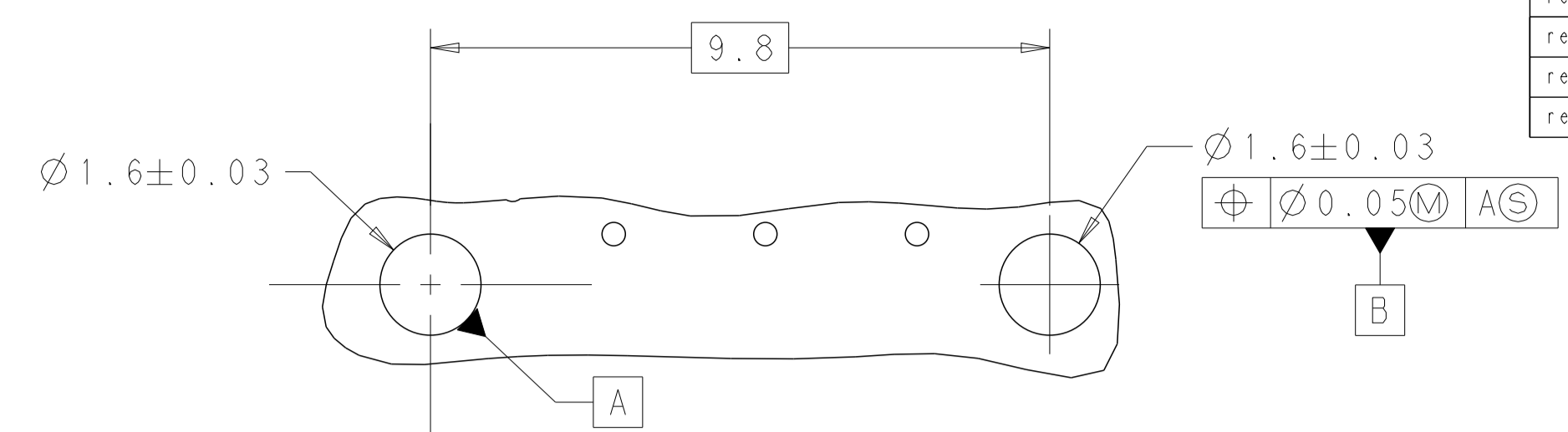
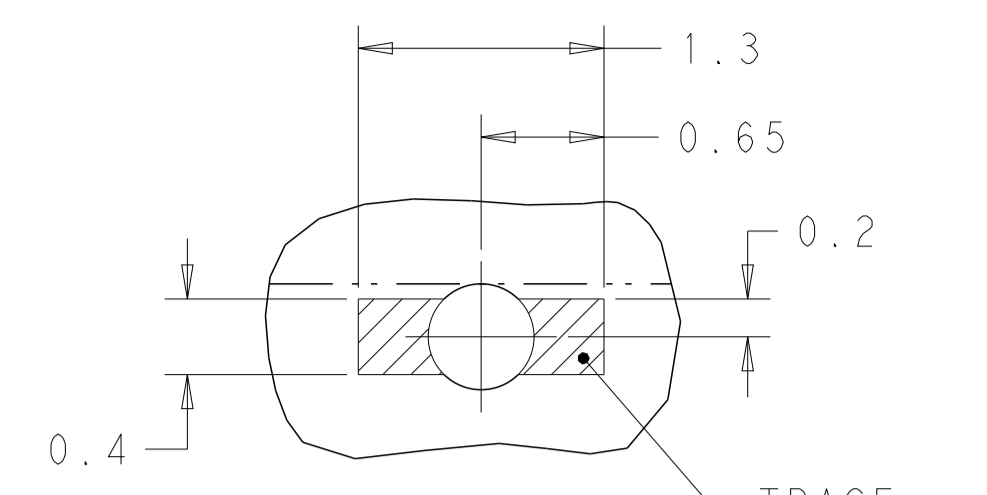
| LOC       | DIST         | REVISIONS   |      |            |             |
|-----------|--------------|-------------|------|------------|-------------|
| P         | LTN          | DESCRIPTION | DATE | DWN        | APVD        |
| rev_sym_1 | 16E6_8H6E111 |             |      | rev_defect | den_apppr_1 |
| rev_sym_2 | rev_desc_2   |             |      | rev_defect | den_apppr_2 |
| rev_sym_3 | rev_desc_3   |             |      | rev_defect | den_apppr_3 |
| rev_sym_4 | rev_desc_4   |             |      | rev_defect | den_apppr_4 |

3-2198346-3  
 UNMARKED DIMENSIONS SAME AS 3-2198346-1



|  |  |                               |  |
|--|--|-------------------------------|--|
| THIS DRAWING IS A CONTROLLED DOCUMENT.   |  | DWN: M.E. CONNER 09DEC2011    | TE Connectivity<br>NAME: RECEPTACLE ASSEMBLY, 2X8, STACKED, zSFP+<br>PRODUCT SPEC: 108-2481<br>APPLICATION SPEC: 114-13319 |
| DIMENSIONS: mm   |  | CHK: M.D. MORRISON 13DEC2011  |  |
| TOLERANCES UNLESS OTHERWISE SPECIFIED:<br>0 PLC ±.25<br>1 PLC ±.25<br>2 PLC ±.25<br>3 PLC ±.25<br>4 PLC ±.25<br>ANGLES ±.1 |  | APVD: M.D. MORRISON 13DEC2011 |  |
| MATERIAL: SEE NOTES  |  | WEIGHT: -                     |  |
| FINISH: SEE NOTES  |  | Customer Drawing              | SIZE: A1<br>CAGE CODE: 100779<br>DRAWING NO: C=2198346<br>RESTRICTED TO: -<br>SCALE: 3:1 SHEET 5 OF 7 REV: C1              |

| LOC       | DIST        | REVISIONS   |      |            |            |
|-----------|-------------|-------------|------|------------|------------|
| P.        | LTR.        | DESCRIPTION | DATE | DWN        | APVD       |
| rev_sym_1 | 18E6_8H6E11 |             |      | rev_defect | dwn_bppr_1 |
| rev_sym_2 | rev_desc_2  |             |      | rev_defect | dwn_bppr_2 |
| rev_sym_3 | rev_desc_3  |             |      | rev_defect | dwn_bppr_3 |
| rev_sym_4 | rev_desc_4  |             |      | rev_defect | dwn_bppr_4 |

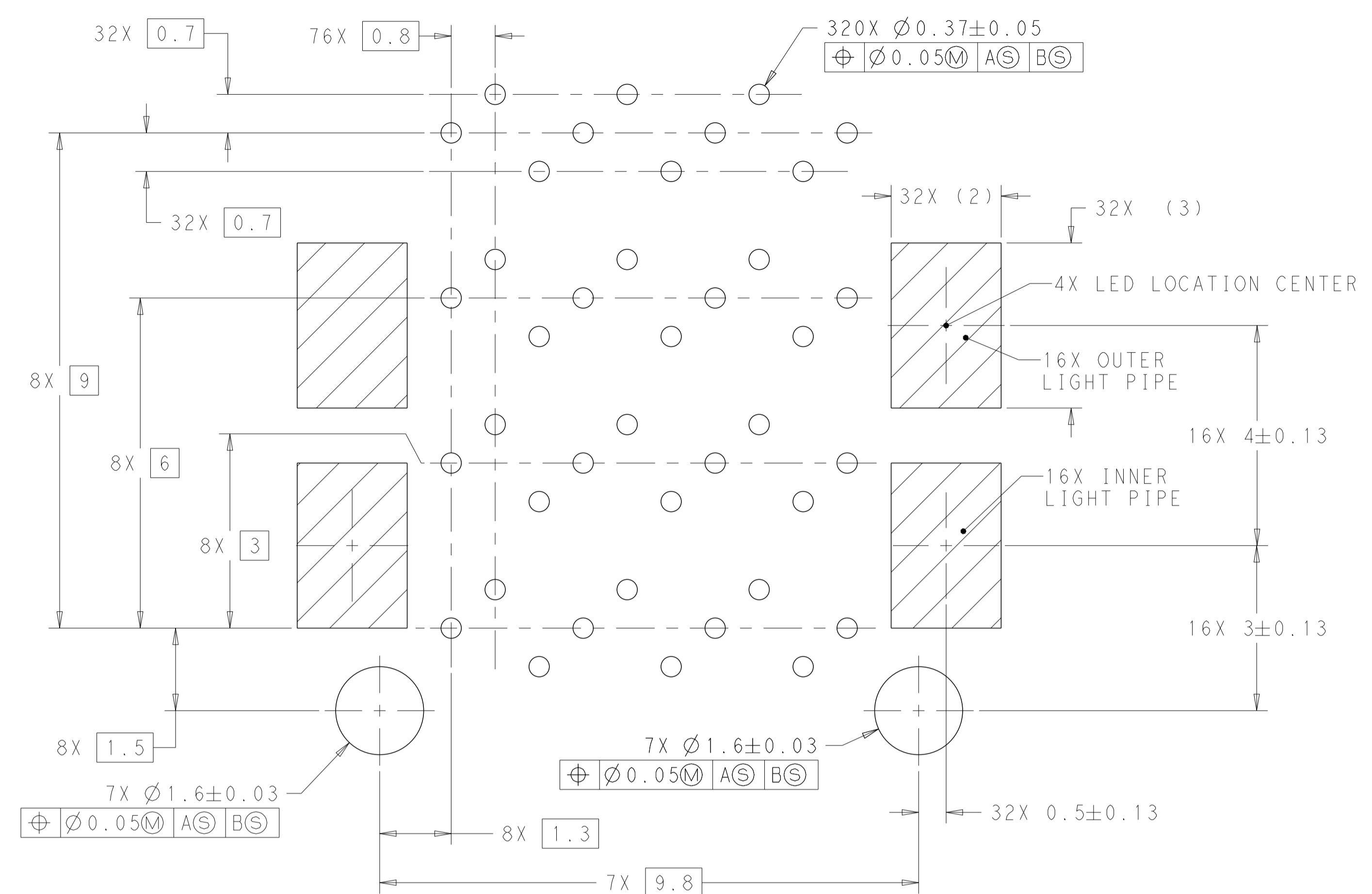


4 129X  $\varnothing 0.56 \pm 0.05$   
 $\oplus \varnothing 0.1 M A \textcircled{S} B \textcircled{S}$

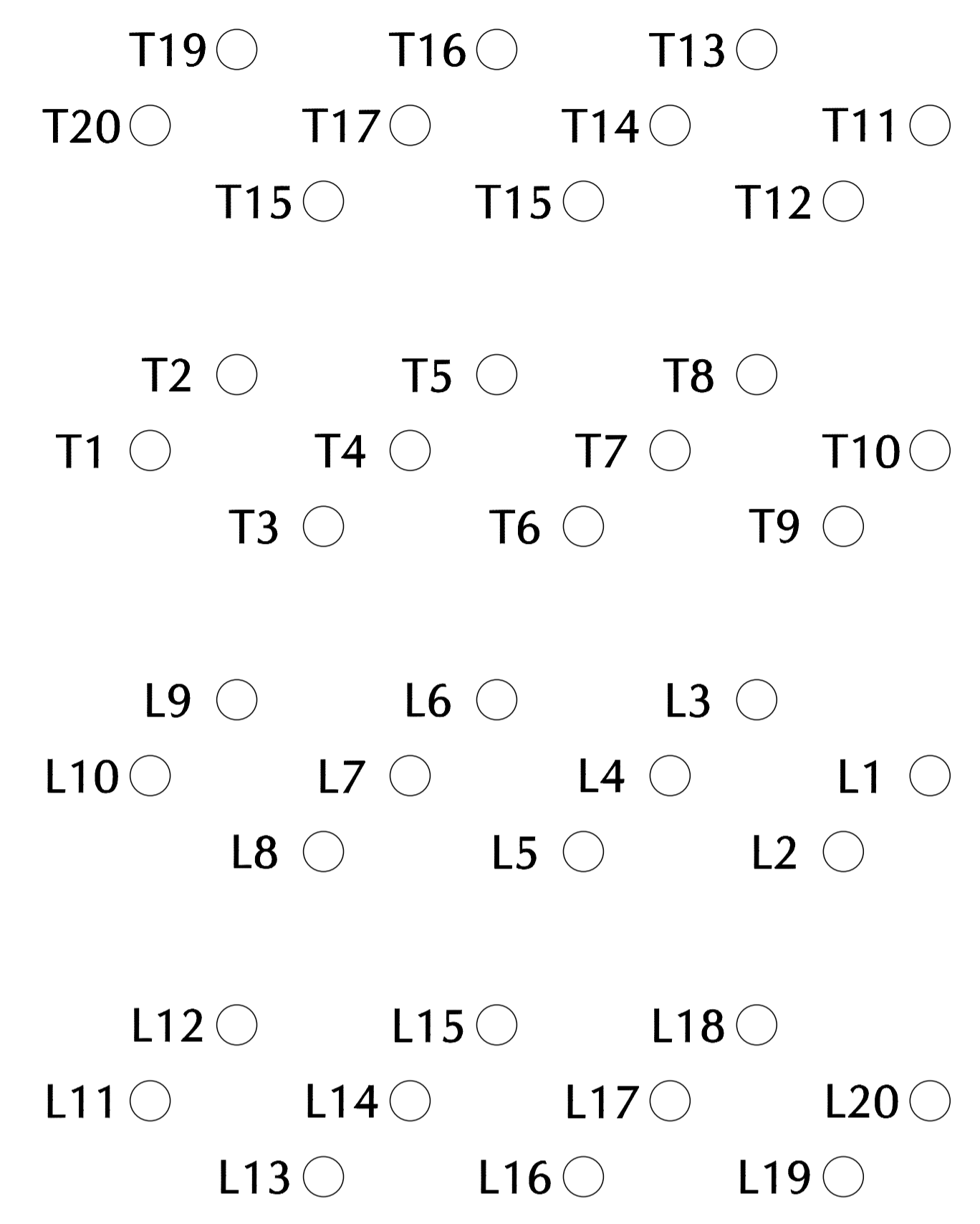
RECOMMENDED PCB LAYOUT  
 SCALE 5:1

|   |  |   |   |
|---|--|---|---|
| THIS DRAWING IS A CONTROLLED DOCUMENT.  |  | DWN: M.E. CONHER 09DEC2011  | TE Connectivity   |
| DIMENSIONS: mm  |  | CHK: M.D. MORRISON 13DEC2011  |   |
| TOLERANCES UNLESS OTHERWISE SPECIFIED:<br>0 PLC ±<br>1 PLC ±0.20<br>2 PLC ±0.15<br>3 PLC ±0.10<br>4 PLC ±<br>ANGLES ±<br>FINISH ± |  | APVD: M.D. MORRISON 13DEC2011<br>PRODUCT SPEC: 108-2481<br>APPLICATION SPEC: 114-13319<br>WEIGHT: | NAME: RECEPTACLE ASSEMBLY, 2X8, STACKED, zSFP+<br>SIZE: A1<br>CAGE CODE: 00779<br>DRAWING NO: C=2198346<br>RESTRICTED TO: |
| MATERIAL: SEE NOTES   |  | FINISH: SEE NOTES   | SCALE: 3:1<br>SHEET: 6 OF 7<br>REV: C1  |

| LOC | DIST | REV | DATE | BY | APPV |
|-----|------|-----|------|----|------|
|     |      | 1   |      |    |      |
|     |      | 2   |      |    |      |
|     |      | 3   |      |    |      |
|     |      | 4   |      |    |      |

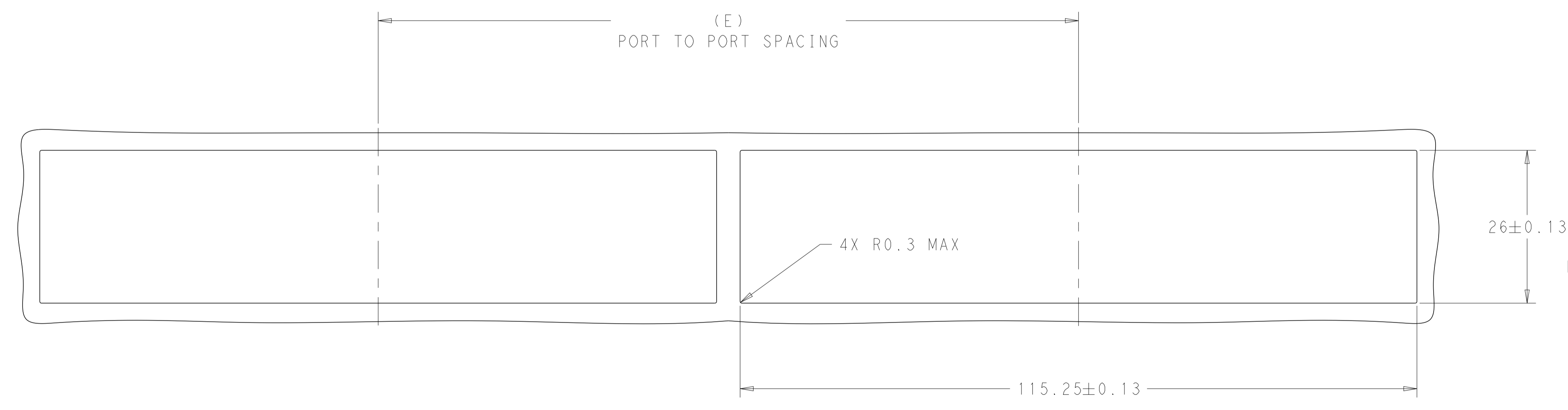


DETAIL C  
 RECOMMENDED PIN AND LIGHT PIPE LAYOUT  
 SCALE 15:1

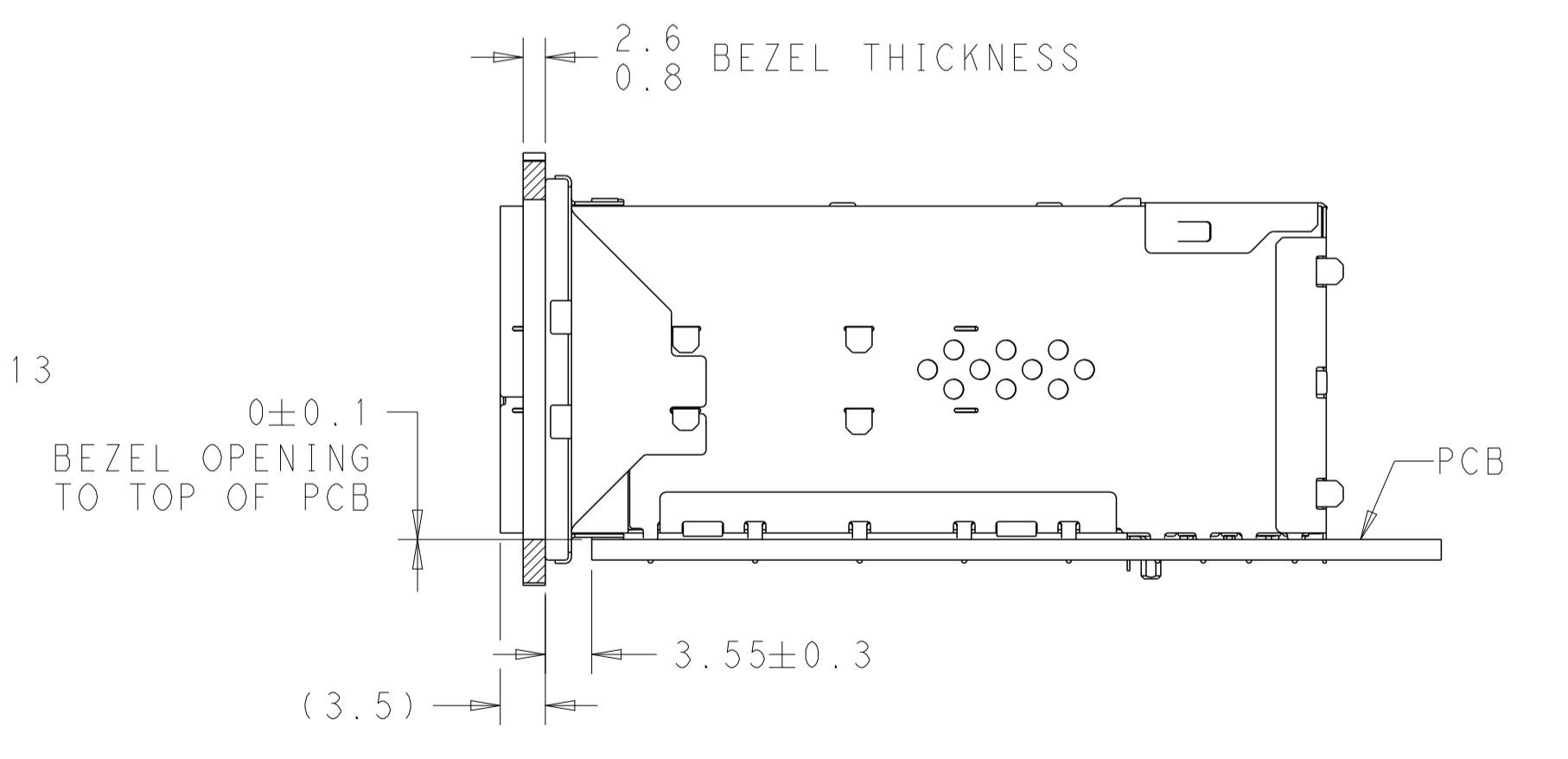


| PIN MAP LEGEND |            |
|----------------|------------|
| PIN NUMBER     | FUNCTION   |
| L1/T1          | VEET       |
| L2/T2          | TX-FAULT   |
| L3/T3          | TX-DISABLE |
| L4/T4          | SDA        |
| L5/T5          | SCL        |
| L6/T6          | MOD_ABS    |
| L7/T7          | RS0        |
| L8/T8          | RX_LOS     |
| L9/T9          | RS1        |
| L10/T10        | VEER       |
| L11/T11        | VEER       |
| L12/T12        | RD-        |
| L13/T13        | RD+        |
| L14/T14        | VEER       |
| L15/T15        | VCCR       |
| L16/T16        | VCCT       |
| L17/T17        | VEET       |
| L18/T18        | TD+        |
| L19/T19        | TD-        |
| L20/T20        | VEET       |

DETAIL D  
 PIN MAP  
 8X PLACES  
 SCALE 20:1



RECOMMENDED BEZEL CUT-OUT DETAIL  
 SCALE 2:1



RECOMMENDED BEZEL LOCATION WITH EMI GASKET  
 SCALE 2:1

|  |                   |                               |  |
|--|-------------------|-------------------------------|--|
| THIS DRAWING IS A CONTROLLED DOCUMENT. |                   | OWN: M. E. CONNER 09DEC2011   | TE Connectivity                                |
| DIMENSIONS: mm                         |                   | CHK: M. D. MORRISON 13DEC2011 |  |
| TOLERANCES UNLESS OTHERWISE SPECIFIED: |                   | APV: M. D. MORRISON 13DEC2011 | NAME: RECEPTACLE ASSEMBLY, 2X8, STACKED, zSFP+ |
| 0 PLC ±0.20                            | 1 PLC ±0.15       | PRODUCT SPEC: 108-2481        | SIZE: CAGE CODE: DRAWING NO: RESTRICTED TO     |
| 2 PLC ±0.10                            | 3 PLC ±0.10       | APPLICATION SPEC: 114-13319   | A100779C=2198346                               |
| 4 PLC ±0.10                            | ANGLES ±0.10      | WEIGHT: -                     | SCALE: 3:1 SHEET 7 OF 7 REV: C1                |
| MATERIAL: SEE NOTES                    | FINISH: SEE NOTES | Customer Drawing              |  |