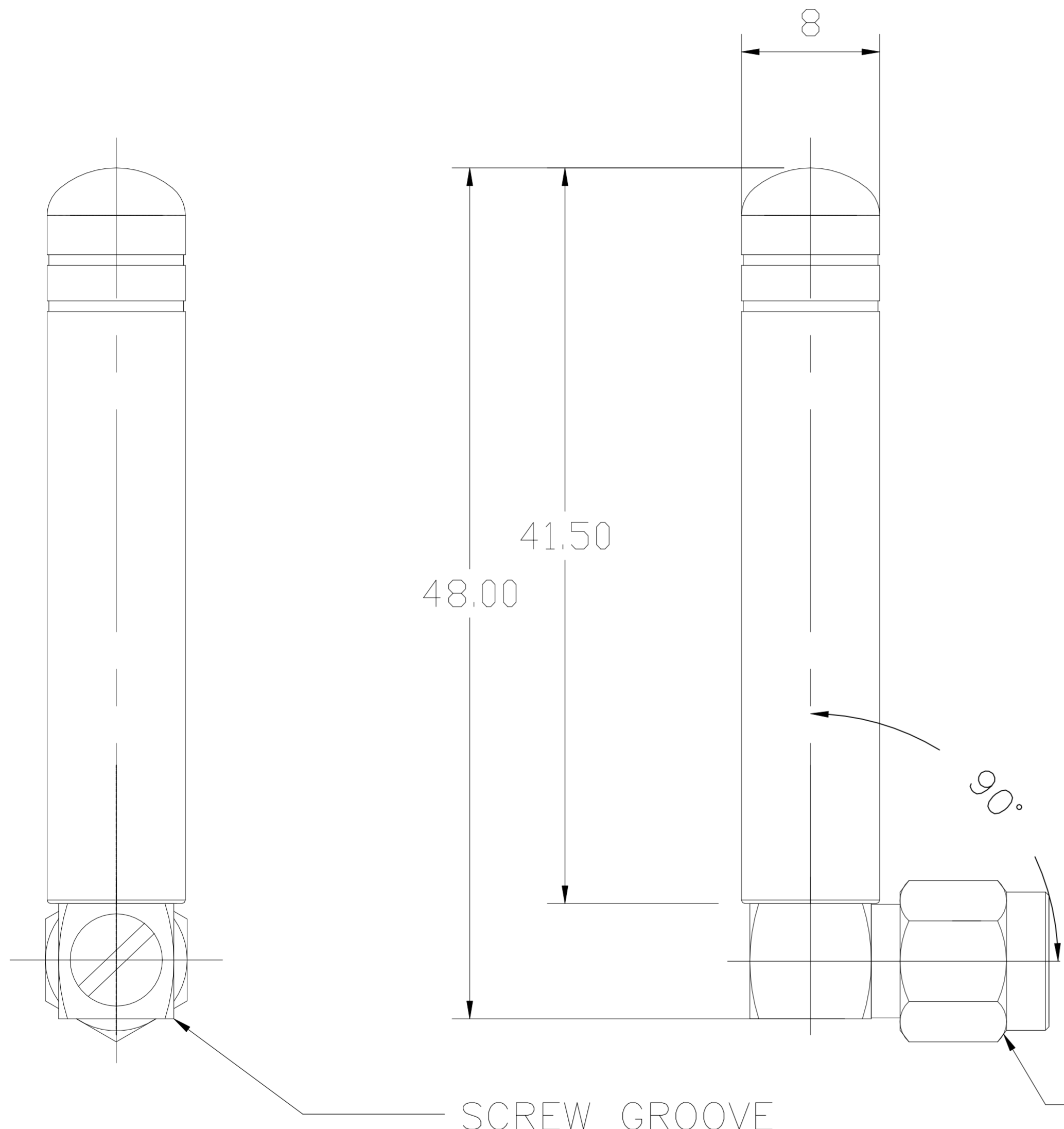


P	LTR	DESCRIPTION	DATE	DWN	APVD
B1		ECR-24-200584	05MAR2024	DC	JH

NOTES:

1. Electrical:
 - 1.1 Frequency: 423~443MHz
 - 1.2 Impedance: 50 OHM.
 - 1.3 VSWR:<3.1
 - 1.4 Peck Gain: -2.3dBi
 - 1.5 Polarization: linear
 - 1.6 Radiation Patten:Omni-directional
2. Enviromental:
 - 2.1 Storage Temperature Range: -30 TO +70°C
 - 2.2 Operating Temperature Range: -30 TO +70°C
3. Antenna meet RoHS Request.
4. PACKAGING : SINGULARATE PARTS TO BE SECURELY BAG WRAPPED, BAGGED OR VACUM PACKAGE INBULK
5. CONSULT TE CONNECTIVITY DATASHEET DS 2195892
6. SMA MALE CONNECTOR CAN NOT ROTATE TO 180 DEGREE



2195892-1
TE PN

THIS DRAWING IS A CONTROLLED DOCUMENT.		DWN DC HSIANG 29JAN2021	TE TE Connectivity	
DIMENSIONS: mm		CHK SHIN_HOO 29JAN2021		
TOLERANCES UNLESS OTHERWISE SPECIFIED:		APVD AMOS_CHEAH 29JAN2021	NAME External Ant., SMA, 423-443MHz	
0 PLC ± -		PRODUCT SPEC	-	
1 PLC ± -		APPLICATION SPEC	-	
2 PLC ± -		WEIGHT 0	SIZE A2	CAGE CODE 00779
3 PLC ± -		FINISH -	DRAWING NO C=2195892	
4 PLC ± -		MATERIAL -	RESTRICTED TO -	
ANGLES ± -		CUSTOMER DRAWING	SCALE 1:1	SHEET 1 of 2
MATERIAL -		REV B1		

4

3

2

1

© - TE Connectivity. All Rights Reserved.

REVISIONS

P	LTR	DESCRIPTION	DATE	DWN	APVD
-		SEE SHEET 1	-	-	-

SMA MALE

NOTES:

1. Electrical:
 - 1.1 Frequency: 423~443MHz
 - 1.2 Impedance: 50 OHM.
 - 1.3 VSWR:<3.0
 - 1.4 Peck Gain: -0.5dBi
 - 1.5 Polarization: Linear
 - 1.6 Radiation Patten:Omni-directional
2. Enviromental:
 - 2.1 Storage Temperature Range: -30 TO +70°C
 - 2.2 Operating Temperature Range: -30 TO +70°C
3. Antenna must meet RoHS Request.
4. PACKAGING : SINGULARATE PARTS TO BE SECURELY BAG WRAPPED BAGGED OR VACUM PACKAGE INBULK
5. CONSULT TE CONNECTIVITY DATASHEET DS 2195892
6. SMA MALE CONN. CAN NOT ROTATE TO 90 DEGREE

2195892-2

TE PN

THIS DRAWING IS A CONTROLLED DOCUMENT.		DWN	DC HSIANG	29JAN2021		TE Connectivity		
		CHK	SHIN_HOO	29JAN2021		NAME		
		APVD	AMOS_CHEAH	29JAN2021		External Ant., SMA, 423-443MHz		
		PRODUCT SPEC						
DIMENSIONS:		TOLERANCES UNLESS OTHERWISE SPECIFIED:		APPLICATION SPEC		RESTRICTED TO		
mm		0 PLC ± -		-		-		
		1 PLC ± -		-		-		
		2 PLC ± -		-		-		
		3 PLC ± -		-		-		
		4 PLC ± -		-		-		
		ANGLES ± -		-		-		
MATERIAL		FINISH		WEIGHT		SCALE		
-		-		0		1:1		
				CUSTOMER DRAWING		SHEET		
				A2 00779 C=2195892		2 of 2		
						REV B1		

1471-9 (1/15)

2195892

B

A