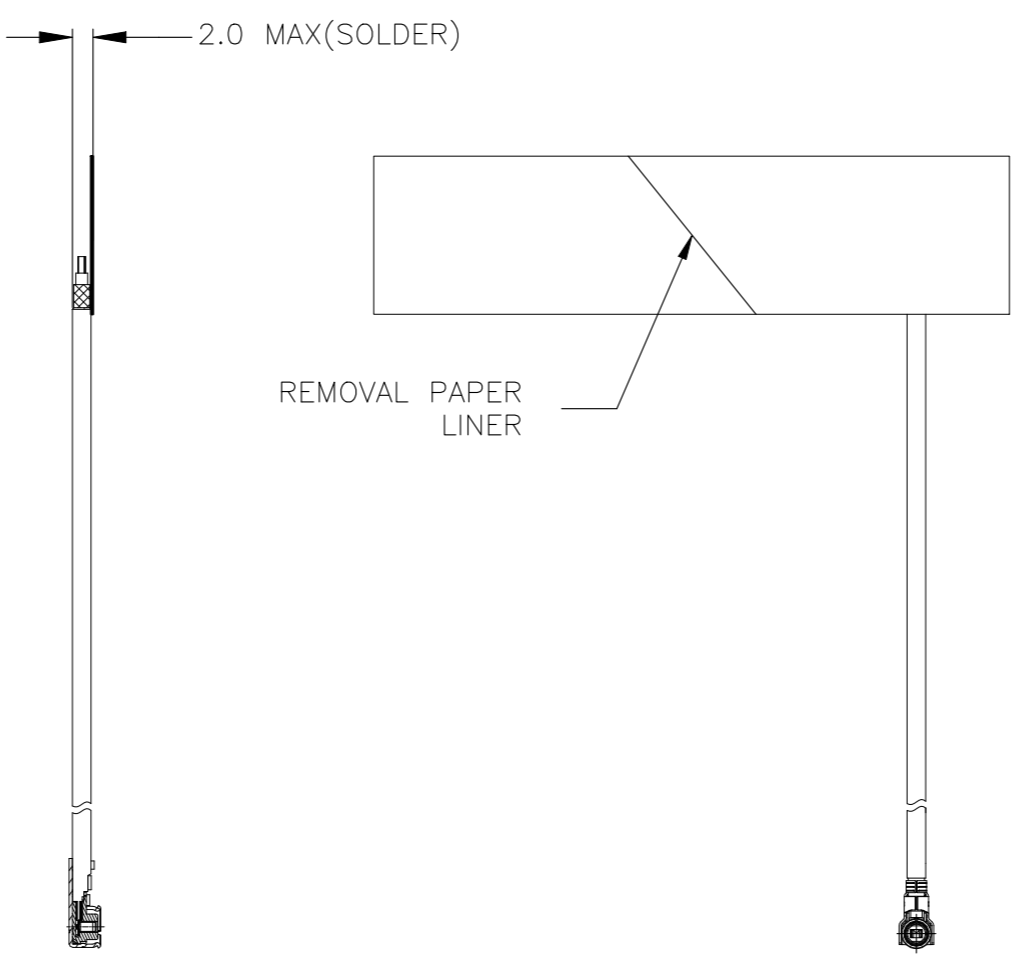
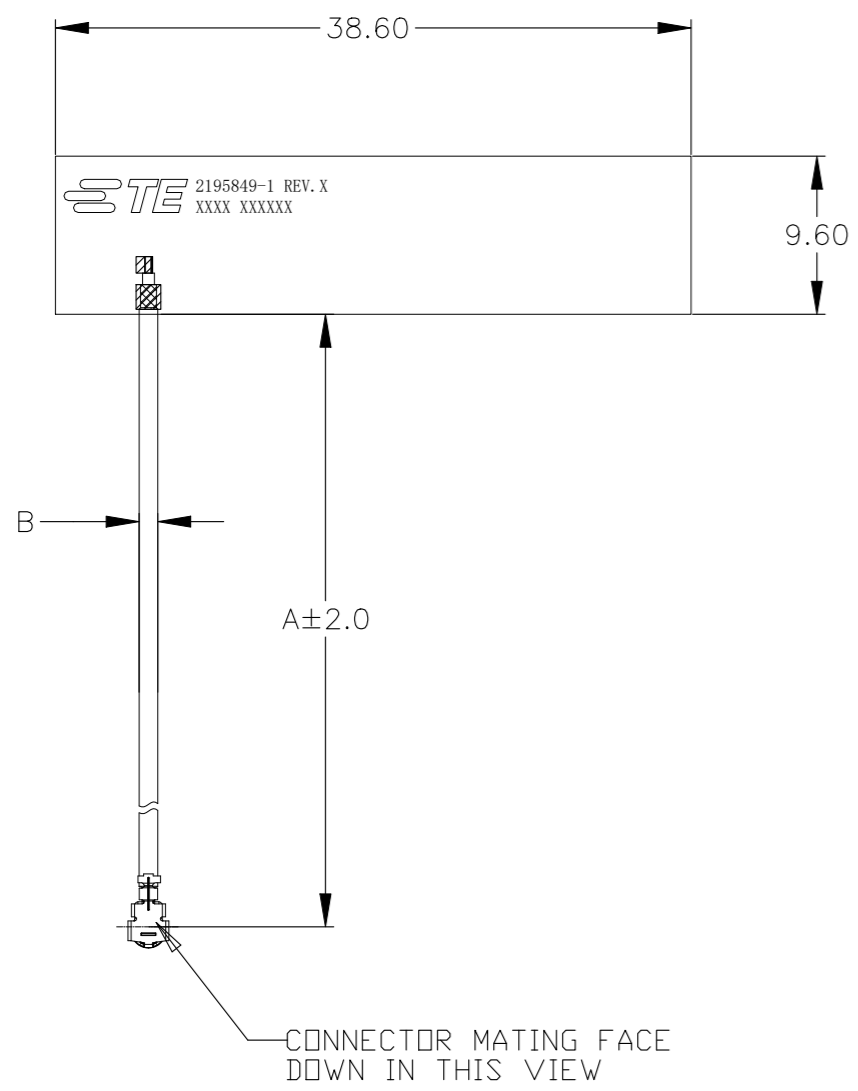


REVISIONS					
P	LTR	DESCRIPTION	DATE	DWN	APVD
	A1	CORRECT TYPO	22JUN2022	DC	CY



- NOTES: UNLESS OTHERWISE SPECIFIED.
- FABRICATE TO MEET IPC - 6013, CLASS 2. INSPECT TO MEET IPC - A - 600, CLASS 2.
 - MATERIAL :
 - A. PI FILM + VHB DOUBLE SIDED ADHESIVE.
 - B. CABLE : COAX CABLE DIA 1.13 . CABLE CONN:I-PEX or TE APPROVED EQUIVALENT.
 - FINISH:
 - A: SOLDERMASK BOTH SIDES: ORANGE.
 - PACKAGING: SINGULATED PARTS TO BE SECURELY BAG WRAPPED, BAGGED OR VACUUM PACKED IN BULK.
 - CONSULT TE CONNECTIVITY DATA SHEET DS-2195849.
 - SILKSCREEN; WHITE EPOXY INK
 - A. TE LOGO,TE P/N
 - B. WORD REV., FOLLOWED BY THE LATEST REVISION LETTER,AS SHOWN.
 - C. 4 DIGIT DATE CODE: FIRST 2 DIGITS FOR THE WEEK CODE AND THE 2ND TWO DIGITS FOR THE YEAR CODE.
 - OTHERS: SPECIFIC TE SOURCE CODE NUMBER DIGITS AS REQUIRED

MHF 4L	1.13	200.00	2195849-8
	1.13	150.00	2195849-7
	1.13	100.00	2195849-6
	1.13	50.00	2195849-5
MHF	1.13	200.00	2195849-4
	1.13	150.00	2195849-3
	1.13	100.00	2195849-2
	1.13	50.00	2195849-1
CONNECTOR TYPE "C"	"B" CABLE OD	"A" CABLE LENGTH	PART NUMBER

THIS DRAWING IS A CONTROLLED DOCUMENT.		DWN DC HSIANG 19DEC2019	STE TE Connectivity	
DIMENSIONS: mm		CHK SHIN HOO 06JUN2020		
TOLERANCES UNLESS OTHERWISE SPECIFIED:		APVD AMOS CHEAH 06JUN2020	NAME FPC ANT, MHF/MHF4L, ISM, 868/915MHz, VERTICAL	
0 PLC ± -		PRODUCT SPEC -	APPLICATION SPEC -	
1 PLC ± -		WEIGHT 0	SIZE A3	CAGE CODE 00779
2 PLC ± -		DRAWING NO C-2195849		RESTRICTED TO -
3 PLC ± -		CUSTOMER DRAWING		
4 PLC ± -		SCALE 1:1		
ANGLES ± -		SHEET 1 OF 1		
FINISH -		REV A1		