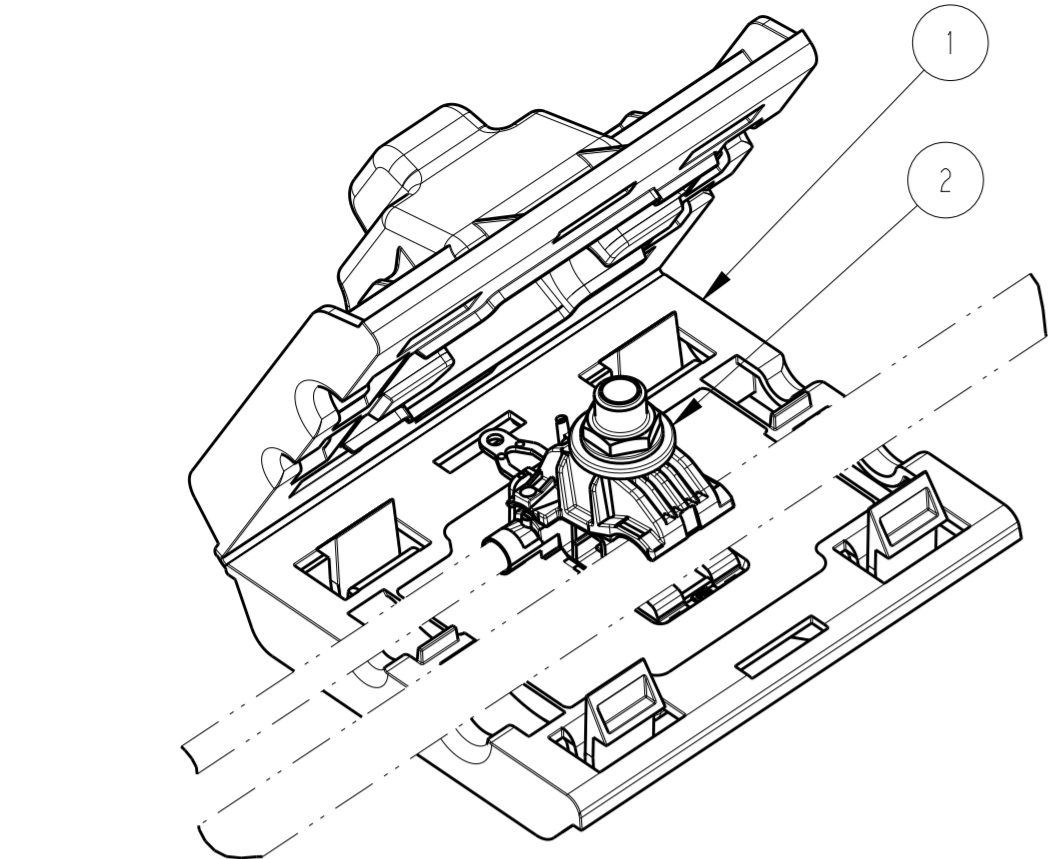
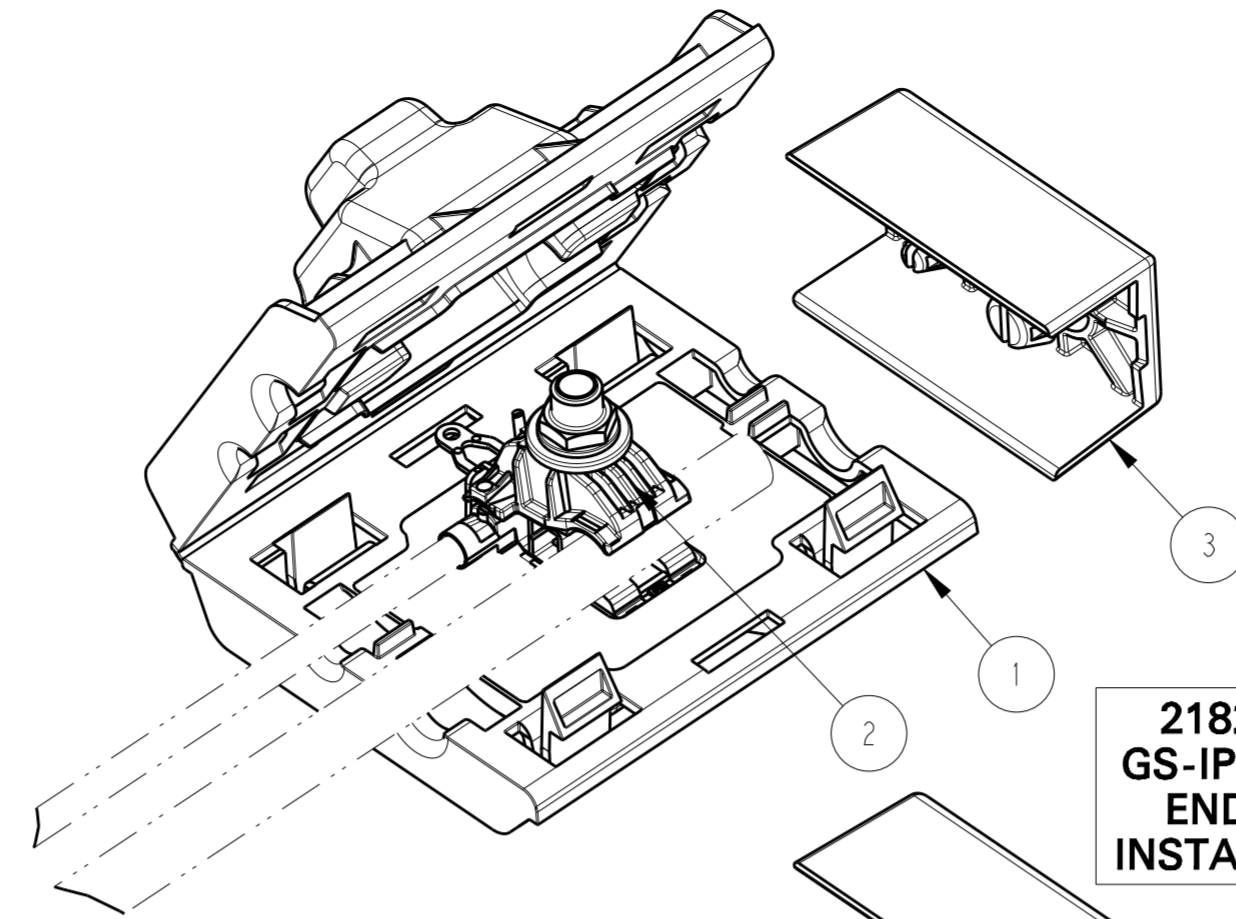


REVISIONS				
P	LTR	DESCRIPTION	DATE	APVD
B		INITIAL REL. PER LC20-0100-19	09SEP2019	DM BJ
C		LC20-0041-20 / ECO-20-004322	30MAR2020	DM BJ

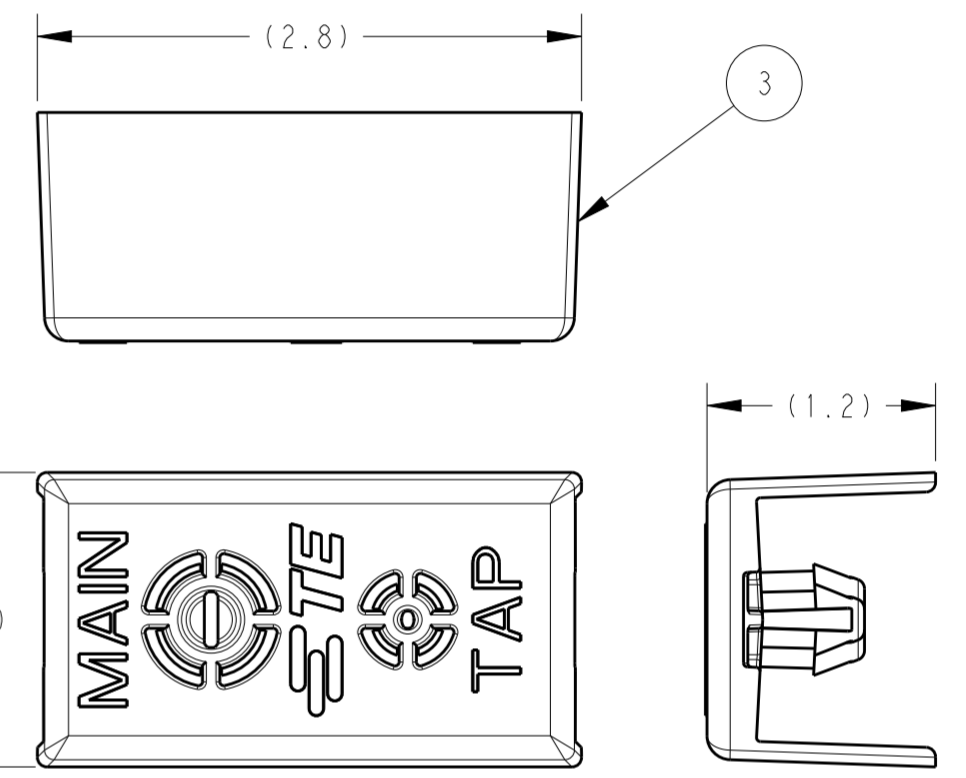
1. ACCOMMODATES:  
IPC MAIN/TAP COMBINATIONS AS SHOWN ON TABLE.
2. BOM ITEM 2, INSULATION PIERCING CONNECTOR PART NO 2350151-1. DETAILS ON CUSTOMER DWG 2350151.
3. ALL DIMENSIONS ARE FOR REFERENCE ONLY.



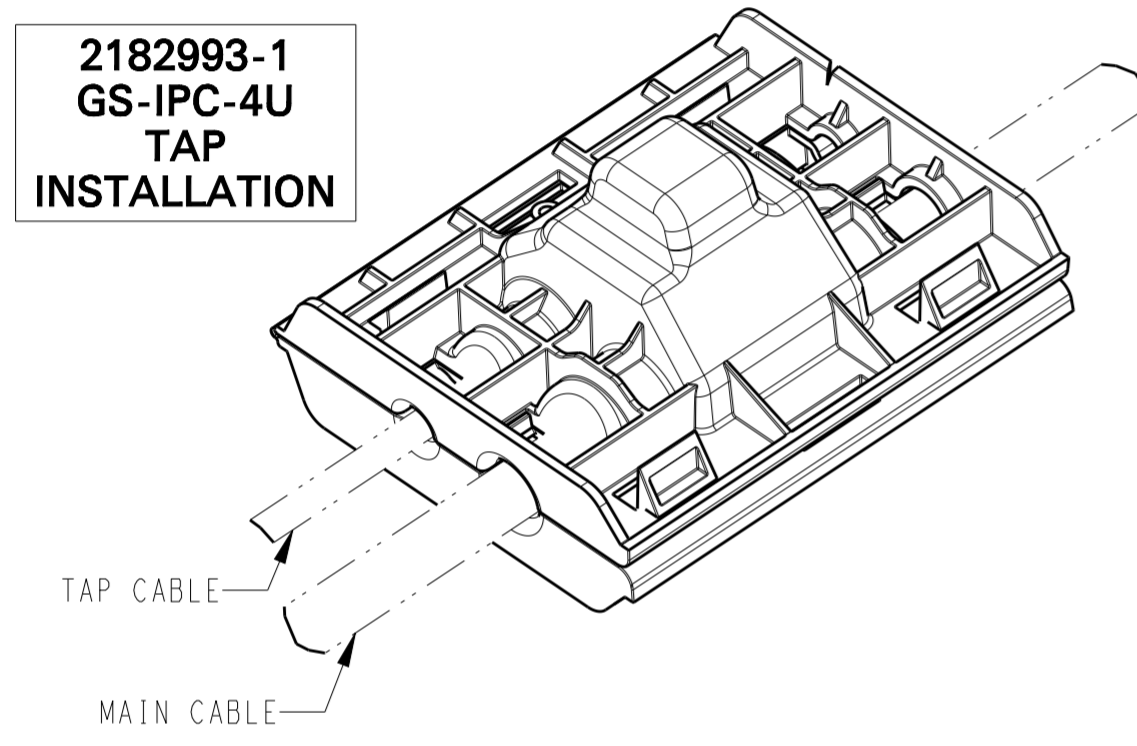
**2182993-1  
GS-IPC-4U  
TAP  
INSTALLATION**



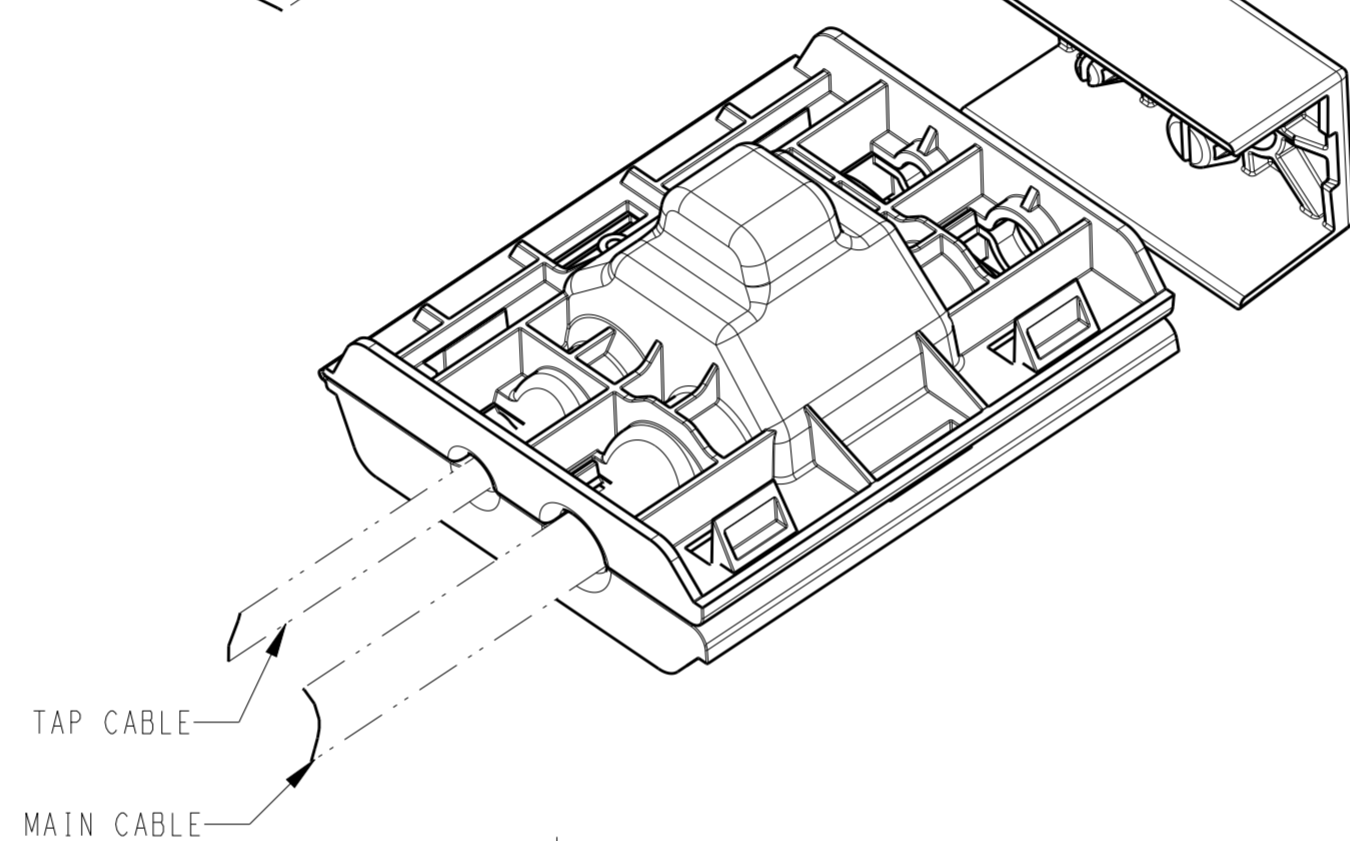
**2182993-2  
GS-IPC-4U-ES  
END SEAL  
INSTALLATION**



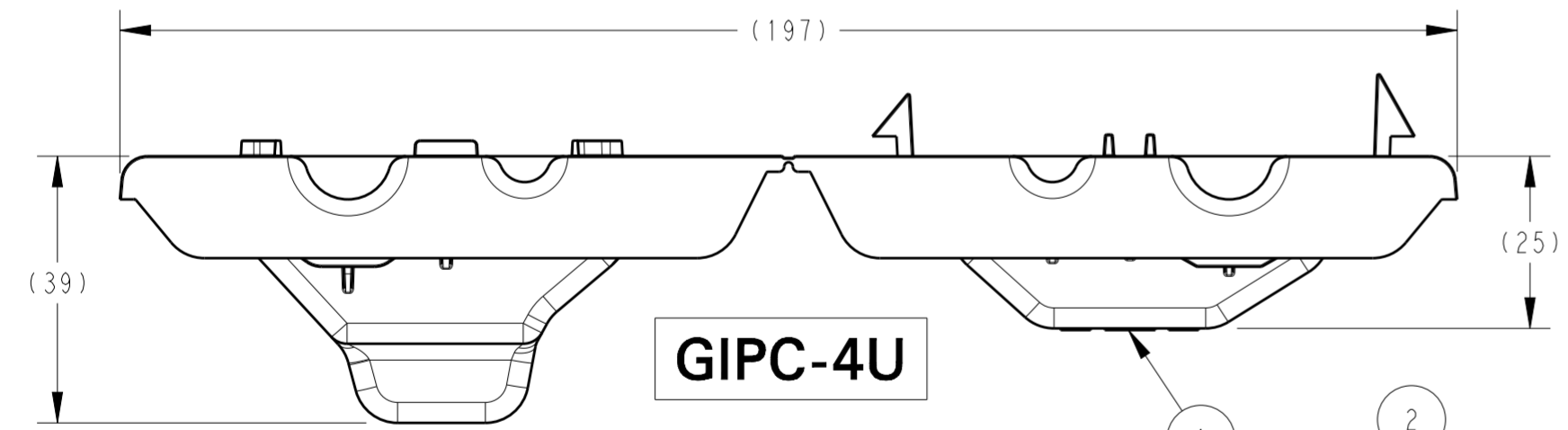
**ES-4U**



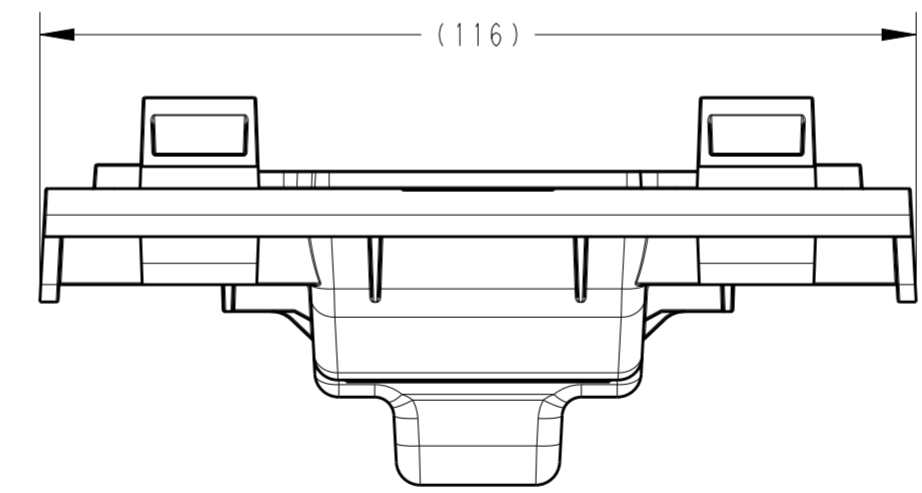
TAP CABLE  
MAIN CABLE



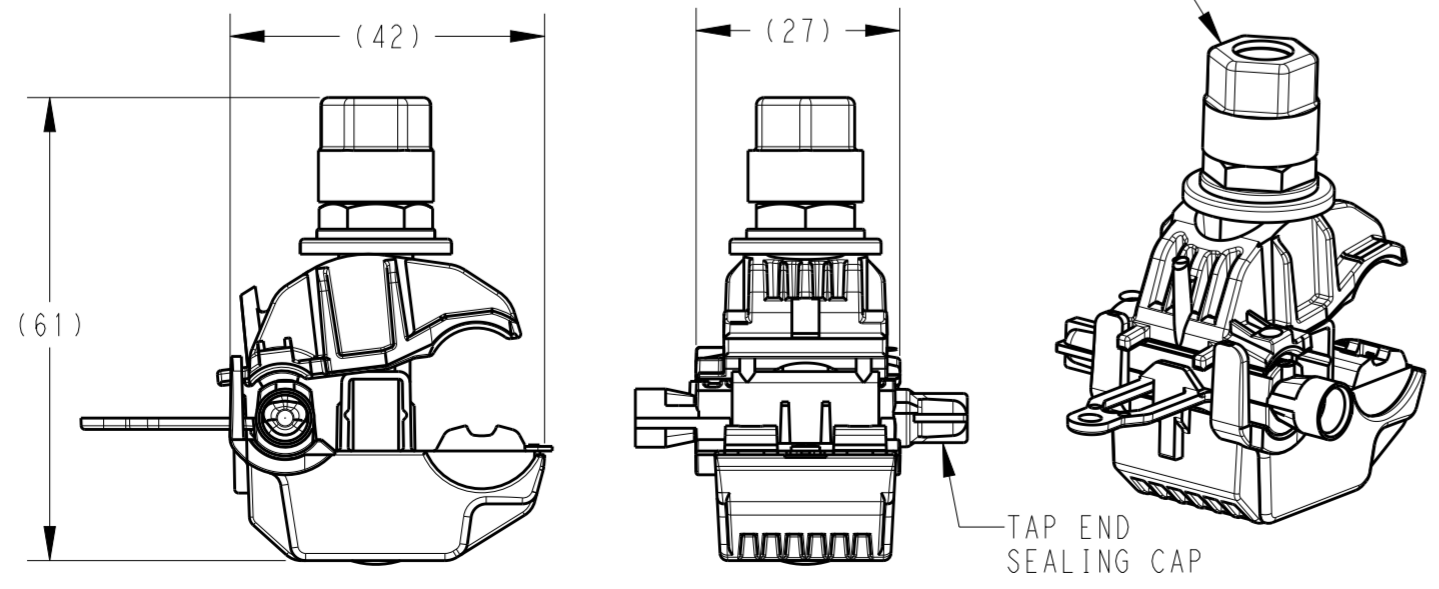
TAP CABLE  
MAIN CABLE



**GIPC-4U**



**SIPC-4U**



TAP END SEALING CAP

MAIN	TAP	CATALOG NO.	PART NO.
8-4 awg [8-22 mm <sup>2</sup> ]	12-10 awg [2.5-5 mm <sup>2</sup> ]	GS-IPC-4U-ES	2182993-2
8-4 awg [8-22 mm <sup>2</sup> ]	12-10 awg [2.5-5 mm <sup>2</sup> ]	GS-IPC-4U	2182993-1

QTY	DESCRIPTION	ITEM NO
1	INSTRUCTION SHEET, PII 408-32287 (EPP-3429)	4
1	END SHIELD, IPC GEL COVER ASSY, ES-4U	3
1	INSULATION PIERCING CONNECTOR, SIPC-4U	2
1	GEL COVER WITH GEL, GIPC-4U	1
-2	-1	

THIS DRAWING IS A CONTROLLED DOCUMENT.

DIMENSIONS: mm	TOLERANCES UNLESS OTHERWISE SPECIFIED: 0 PLC ± 1 PLC ± 2 PLC ± 3 PLC ± 4 PLC ± ANGLES ± FINISH -	DWN D. MURUGIAH 05SEP2019 CHK S. RAHMAN 09SEP2019 APVD B. JOHNSON 09SEP2019	NAME GEL COVER WITH INSULATION PIERCING CONNECTOR, GS-IPC-4U, GS-IPC-4U-ES
MATERIAL SEE BOM		PRODUCT SPEC -	SIZE A2
		APPLICATION SPEC -	CAGE CODE 00779
		WEIGHT -	DRAWING NO C-2182993
		CUSTOMER DRAWING	RESTRICTED TO C

SCALE NTS SHEET 1 OF 1 REV C