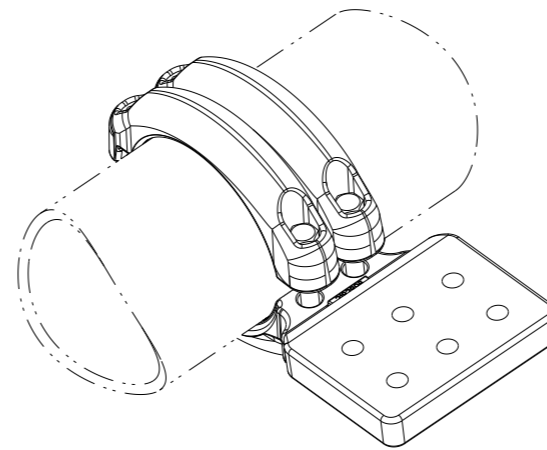


P	LTR	DESCRIPTION	DATE	DWN	APVD
	A	INITIAL REL PER LC20-0101-19	16SEP2019	JG	BJ
	A1	LC20-0031-20 / ECO-20-006723	13MAY2020	JG	BJ
	B	UPDATED REV AS PER HVBOX	06AUG2021	SD	CG



C290

R529

1. ACCOMMODATES:
SEE TABLE.

2. MARKING:



[PART NO.]
[CATALOG DESCRIPTION]
[PIPE SIZE]
[DATECODE]

3. ALL DIMENSIONS ARE FOR REFERENCE ONLY.

13 5/8	6	8 7/16	5 TTPF 82 T6"EHPS 100X150 R529	6" EHPS	2182833-7	9.4
13 5/8	6	8 7/16	5 TTPF 82 T6"IPS 100X150 R529	6" IPS	2182833-6	8.2
13	6	7 5/16	5 TTPF 82 T5"IPS 100X150 R529	5" IPS	2182833-5	7.4
12 1/4	4	6 7/16	5 TTPF 82 T4"IPS 100 C290	4" IPS	2182833-4	5.8
12 3/16	4	5 3/4	5 TTPF 82 T3"1/2IPS 100 C290	3"1/2 IPS	2182833-3	5.0
12	4	5 1/2	5 TTPF 82 T3"IPS 100 C290	3" IPS	2182833-2	4.9
11 3/4	4	4 3/16	5 TTPF 82 T2"1/2IPS 100 C290	2"1/2 IPS	2182833-1	3.8
C	B	A	DESCRIPTION	PIPE SIZE	PART NO.	WEIGHT(lbs)

THIS DRAWING IS A CONTROLLED DOCUMENT.

DWN J. GUPPY 09SEP2019

CHK A. BULZA 16SEP2019

APVD B. JOHNSON 16SEP2019

PRODUCT SPEC

APPLICATION SPEC

WEIGHT

CUSTOMER DRAWING



TE Connectivity

NAME
BOLTED TEE TERMINAL CONNECTOR
2 1/2 IPS TO 6 IPS CONDUCTOR TO
NEMA PAD, SIMABUS

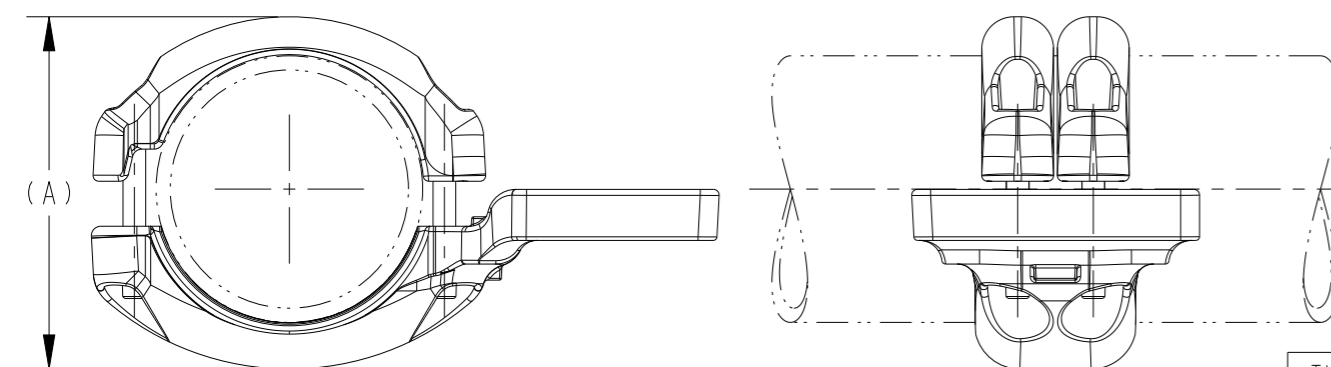
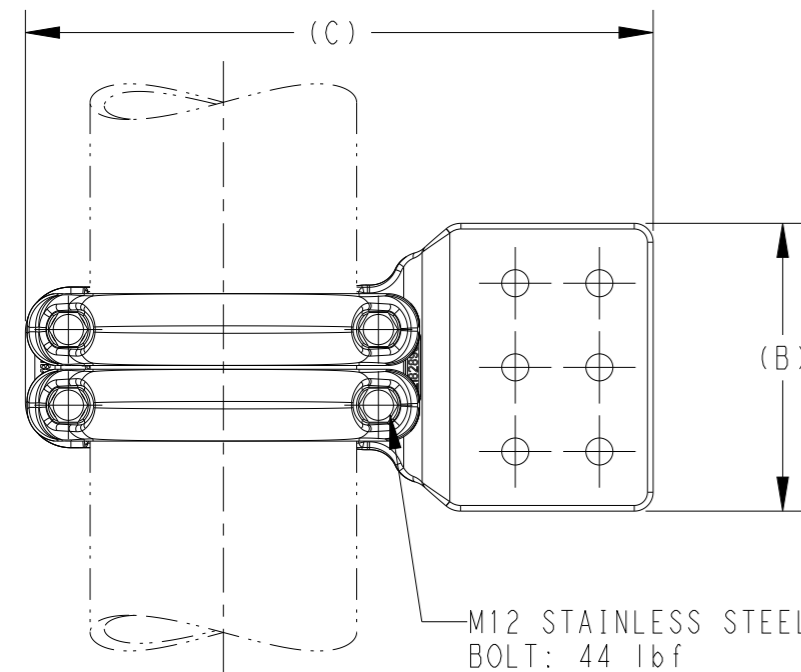
SIZE CAGE CODE DRAWING NO RESTRICTED TO

A3 00779 C-2182833 -

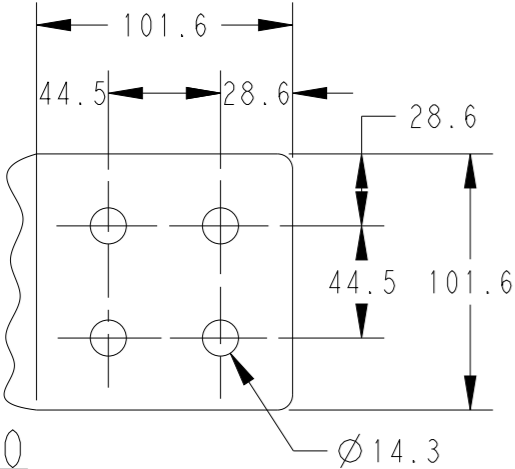
SCALE NTS SHEET 1 OF 2 REV B

DIMENSIONS:	TOLERANCES UNLESS OTHERWISE SPECIFIED:
INCHES	
0 PLC	±
1 PLC	±
2 PLC	±
3 PLC	±
4 PLC	±
ANGLES	±
FINISH	-

MATERIAL
ALUM ALLOY

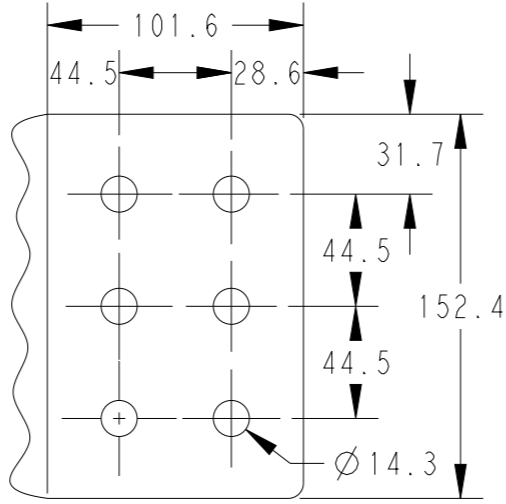


© 2019 TE Connectivity. All Rights Reserved.



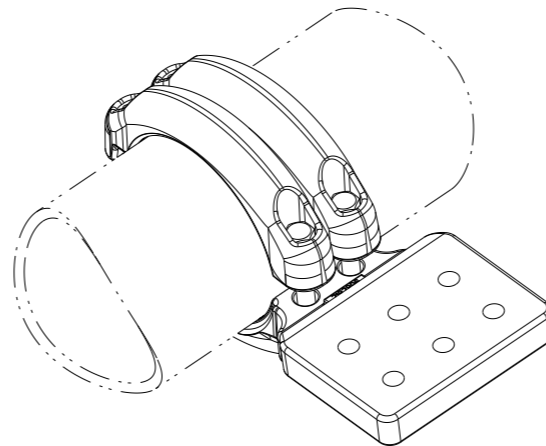
C290

Ø14.3



R529

Ø14.3



REVISIONS

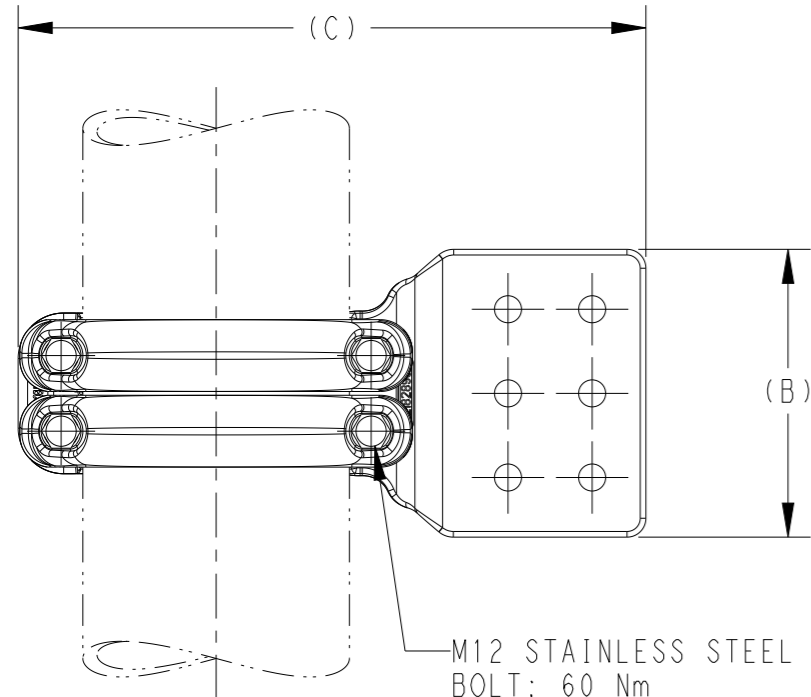
P	LTR	DESCRIPTION	DATE	DWN	APVD
-	-	SEE SHEET 1			

1. ACCOMMODATES:
SEE TABLE.

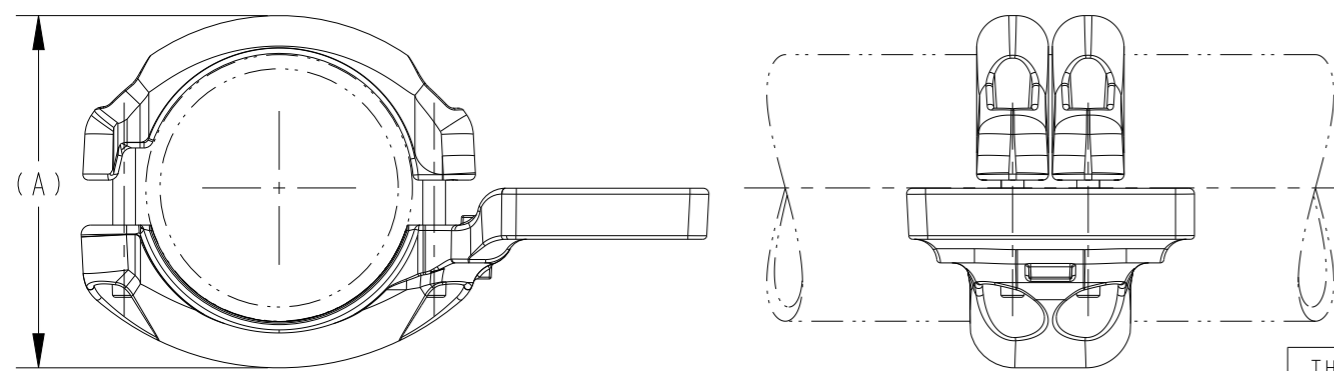
2. MARKING:

STE
 [PART NO.]
 [CATALOG DESCRIPTION]
 [PIPE SIZE]
 [DATECODE]

3. ALL DIMENSIONS ARE FOR REFERENCE ONLY.



M12 STAINLESS STEEL BOLT: 60 Nm



347	152.4	214	5 TTPF 82 T6"EHPS 100X150 R529	168.3	2182833-7	4.25
347	152.4	214	5 TTPF 82 T6"IPS 100X150 R529	168.3	2182833-6	3.72
332	152.4	186	5 TTPF 82 T5"IPS 100X150 R529	141.3	2182833-5	3.34
317	101.6	163	5 TTPF 82 T4"IPS 100 C290	114.3	2182833-4	2.62
310	101.6	147	5 TTPF 82 T3"1/2IPS 100 C290	101.6	2182833-3	2.25
305	101.6	140	5 TTPF 82 T3"IPS 100 C290	88.9	2182833-2	2.20
298	101.6	106	5 TTPF 82 T2"1/2IPS 100 C290	73.0	2182833-1	1.70
C	B	A	DESCRIPTION	PIPE O.D.	PART NO.	WEIGHT(kg)

THIS DRAWING IS A CONTROLLED DOCUMENT.

DWN J. GUPPY 09SEP2019	TE Connectivity NAME BOLTED TEE TERMINAL CONNECTOR 2 1/2 IPS TO 6 IPS CONDUCTOR TO NEMA PAD, SIMABUS SIZE CAGE CODE DRAWING NO RESTRICTED TO A3 00779 C-2182833 - SCALE NTS SHEET 2 OF 2 REV B
CHK A. BULZA 16SEP2019	
APVD B. JOHNSON 16SEP2019	
PRODUCT SPEC	
APPLICATION SPEC	
WEIGHT -	
CUSTOMER DRAWING	

DIMENSIONS: mm	TOLERANCES UNLESS OTHERWISE SPECIFIED:
	0 PLC ±
	1 PLC ±
	2 PLC ±
	3 PLC ±
	4 PLC ±
	ANGLES ±
MATERIAL ALUM ALLOY	FINISH -