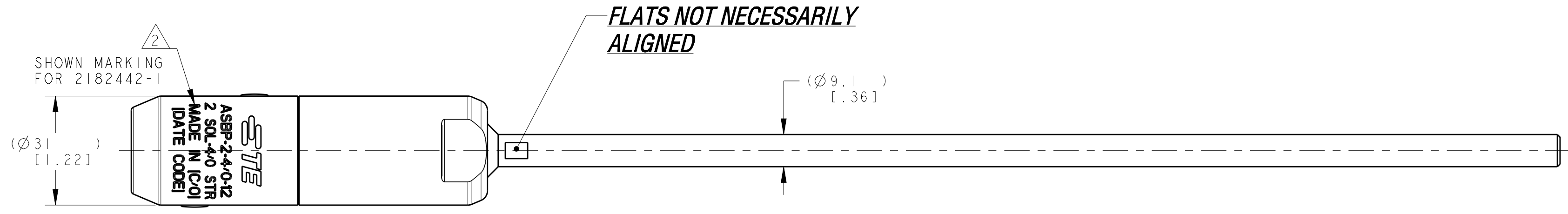
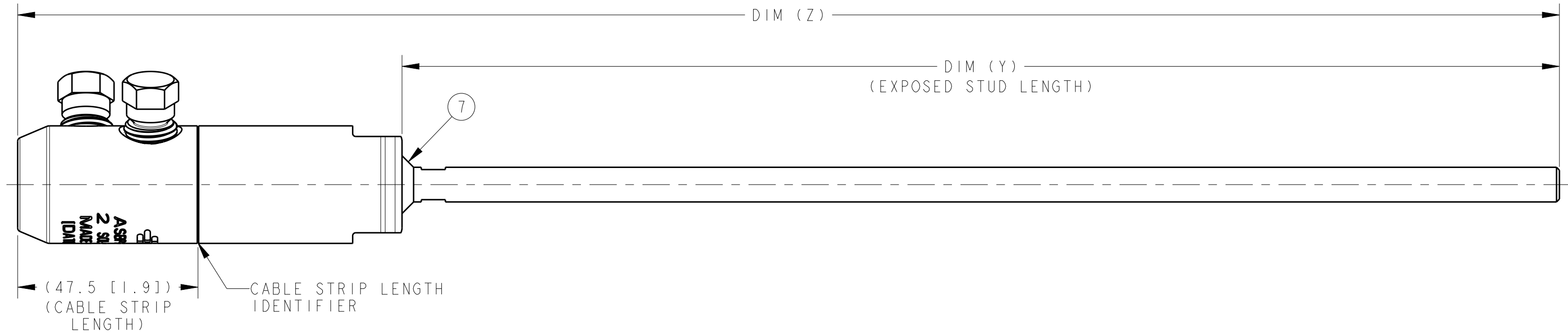
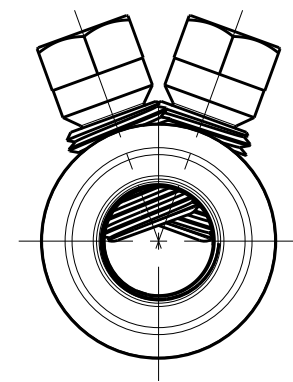


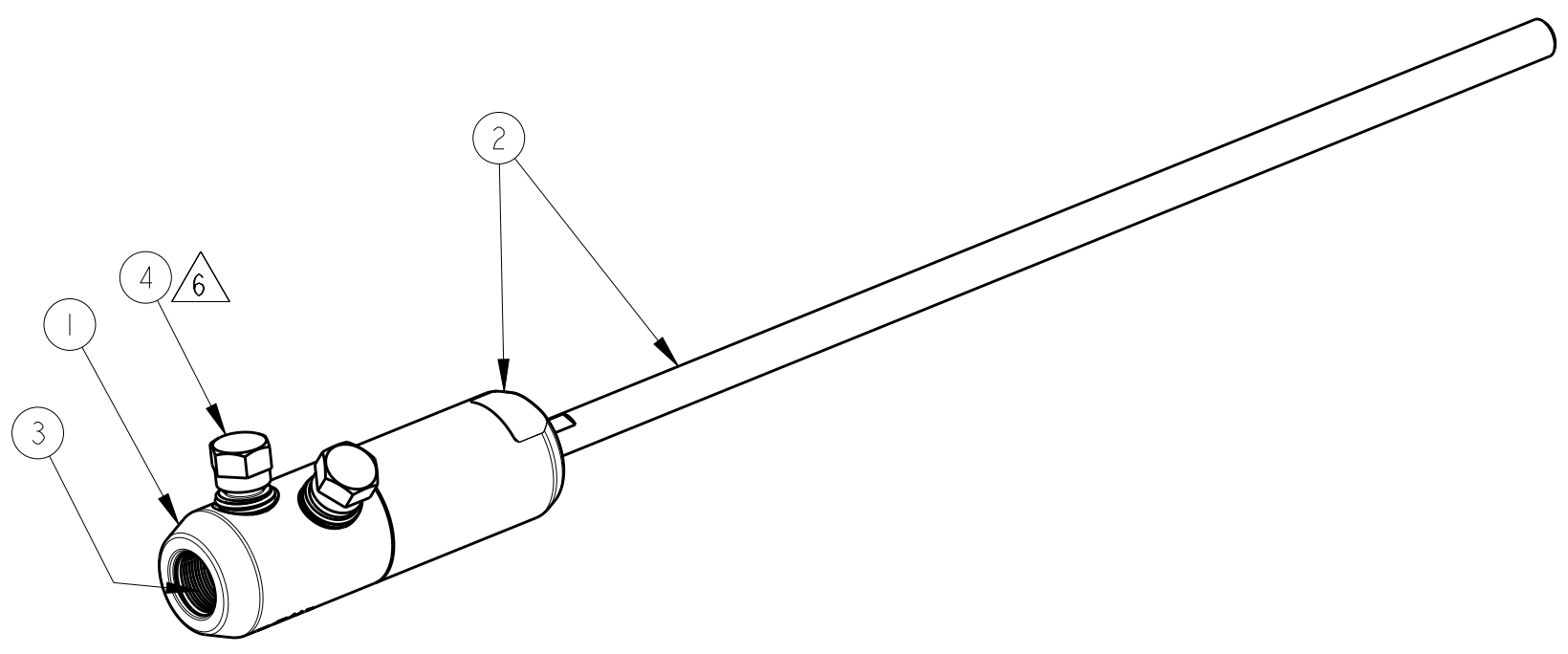
THIS DRAWING IS UNPUBLISHED. RELEASED FOR PUBLICATION 20
 © COPYRIGHT 20 BY - ALL RIGHTS RESERVED.

REVISIONS				
P	LTR	DESCRIPTION	DATE	APVD
E		LC20-0097-18 / ECO-18-014539	08OCT2018	DM BJ
F		LC20-0036-19 / ECO-19-005225	18APR2019	DM BJ
G		LC20-0074-19 / ECO-19-010038	09AUG2019	DM BJ
H		LC20-0091-20 / ECO-20-012656	08SEP2020	DM BJ



(165 [6.5])	(64 [2.5])	ASBP-2-4/0-2.5	2182442-4
(330 [13])	(229 [9])	ASBP-2-4/0-9	2182442-3
(254 [10])	(152 [6])	ASBP-2-4/0-6	2182442-2
(406 [16])	(305 [12])	ASBP-2-4/0-12	2182442-1
DIM (Z)	DIM (Y)	CATALOG NO ²	PART NO

A/R	A/R	A/R	A/R	DESCRIPTION	ITEM NO
				METAL SEALANT	7
1	1	1	1	INSTALLATION INSTRUCTION SHEET, 408-32203	6
1	1	1	1	ABRASIVE TAPE	5
2	2	2	2	MULTI SHEAR HEAD BOLT, M14 SIZE, ALUMINUM ALLOY	4
A/R	A/R	A/R	A/R	INHIBITOR	3
1	-	-	-	EXPOSED LENGTH (64 [2.5])	2
-	1	-	-	EXPOSED LENGTH (229 [9])	
-	-	1	-	EXPOSED LENGTH (152 [6])	
-	-	-	1	EXPOSED LENGTH (305 [12])	
1	1	1	1	CONNECTOR SLEEVE BODY, ALUMINUM ALLOY, TIN PLATED	1
-4	-3	-2	-1		



- ACCOMMODATES:
2 SOL - 4/0 STR.
- MARKING:
STE
[CATALOG NO]
2 SOL-4/0 STR
MADE IN [COUNTRY OF ORIGIN]
[DATE CODE]

(SEE TABLE FOR CATALOG NO MARKING)
- ALL DIMENSIONS ARE FOR REFERENCE ONLY.
- CONNECTOR CONTAINS FACTORY APPLIED ANTI-OXIDE INHIBITOR.
- FINISH:
CU STUD AND AL CONNECTOR BODY ELECTRO-TIN PLATED.
- INSTALL BOLTS WITH 13 mm [1/2 inch] HEX SOCKET.

THIS DRAWING IS A CONTROLLED DOCUMENT.

DIMENSIONS: mm [INCH]	TOLERANCES UNLESS OTHERWISE SPECIFIED: 0 PLC ± 1 PLC ± 2 PLC ± 3 PLC ± 4 PLC ± ANGLES ± FINISH	DWN 09 JAN 2015 CHK D. MURUGLAH A. BULZA 16 MAY 2016 APVD B. JOHNSON 25 MAY 2016	NAME STE TE Connectivity
MATERIAL SEE BOM	SEE BOM	PRODUCT SPEC APPLICATION SPEC WEIGHT	SIZE CAGE CODE DRAWING NO RESTRICTED TO A200779 C-2182442
CUSTOMER DRAWING		SCALE NTS	SHEET OF REV H